

MB04-R3

BASIN MIXER

meir®



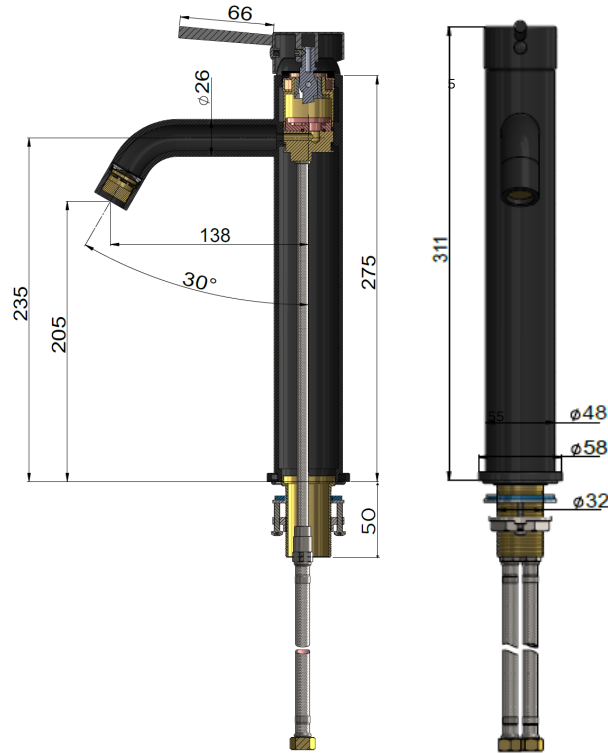
FEATURES

- Refer to the Meir website for warranty terms & conditions.
- Flow rate 8L p/m
- European ceramic cartridge
- Solid brass construction
- Box weight **2 KG**

CARE

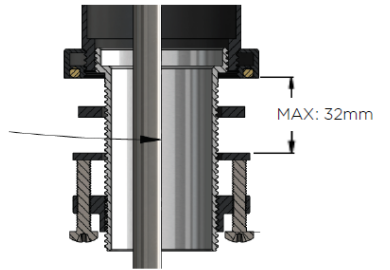
- Do not install tapware using any form of acetone silicones.
- Do not apply physical items (such as tools) directly to product.
- Never use house-hold or commercial detergents, citrus based cleaners, or abrasive cleaners.
- Clean using a mild washing soap solution rinsed, and dry with a soft cloth.
- Check for any product defects before installation.
- Refer to the installation manual for correct installation.

SPECIFICATIONS



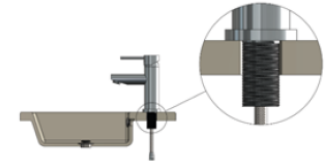
TOLERANCES

Surface Tolerance

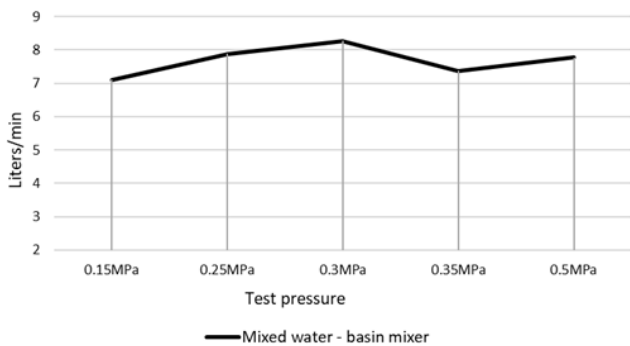


Hole Diameter

MIN: 34mm MAX: 42mm



FLOW RATE GRAPH



CREDENTIALS

- WaterMark AS/NZS 3718:2005
- 4-star WELS rated

EXPLODED VIEW



| No. | Part Name |
|-----|-----------------|
| 1 | Decor Knob |
| 2 | Screw |
| 3 | Handle |
| 4 | Decor Cover |
| 5 | Nut |
| 6 | D40 Cartridge |
| 7 | Flat Washer |
| 8 | Aerator |
| 9 | Body |
| 10 | Base |
| 11 | O-ring |
| 12 | Thread Tube |
| 13 | Flat Washer |
| 14 | Washer |
| 15 | Bolt |
| 16 | Mount Nut |
| 17 | O-ring |
| 18 | Connecting Tube |
| 19 | Inlet Hose |