

# MIXXX

tapware & accessories

MAGNOLIA COLLECTION

**Item Code:** 11SL057CL

**Finish:** Chrome

**WELS Rating:** 4 Star 6.5L/min

**Cartridge:** 40mm Ceramic  
Disc Cartridge

**Pressure Rating:** 1500kPa

**Operating Temp:** 1-80°C

**Tails:** European SOFTPEX

Corrosion Resistant Tails

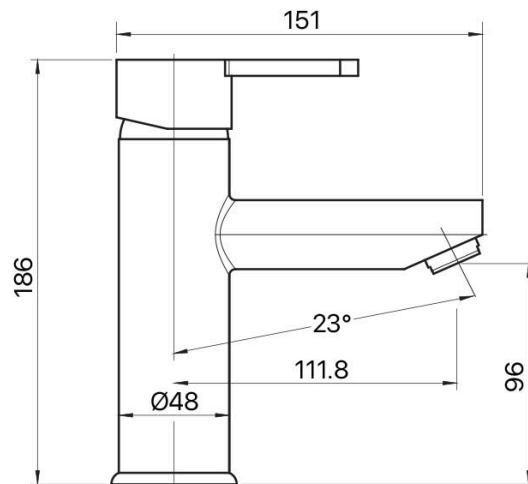
**Material:** Brass

**Warranty:** 20 Years

# 20

YEAR WARRANTY

## MAGNOLIA UPRIGHT BASIN MIXER



A BRAND BY

# BRASSHARDS

— GROUP —

[www.mixxtapware.com.au](http://www.mixxtapware.com.au) | [info@mixxtapware.com.au](mailto:info@mixxtapware.com.au) | 1800 657 697