

tapware & accessories

## ALOE COLLECTION

**Item Code:** 11SL973CL

**Finish:** Chrome

**WELS Rating:** 5 Star 5.5L/min

**Cartridge:** 25mm European

Cold Start Energy Saving

Ceramic Disc Cartridge

**Pressure Rating:** 1500kPa

**Operating Temp:** 1-80°C

**Tails:** European SOFTPEX

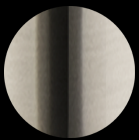
Corrosion Resistant Tails

**Material:** Brass

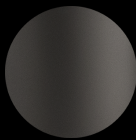
**Warranty:** 20 Years



### Other Finishes



Brushed  
Nickel

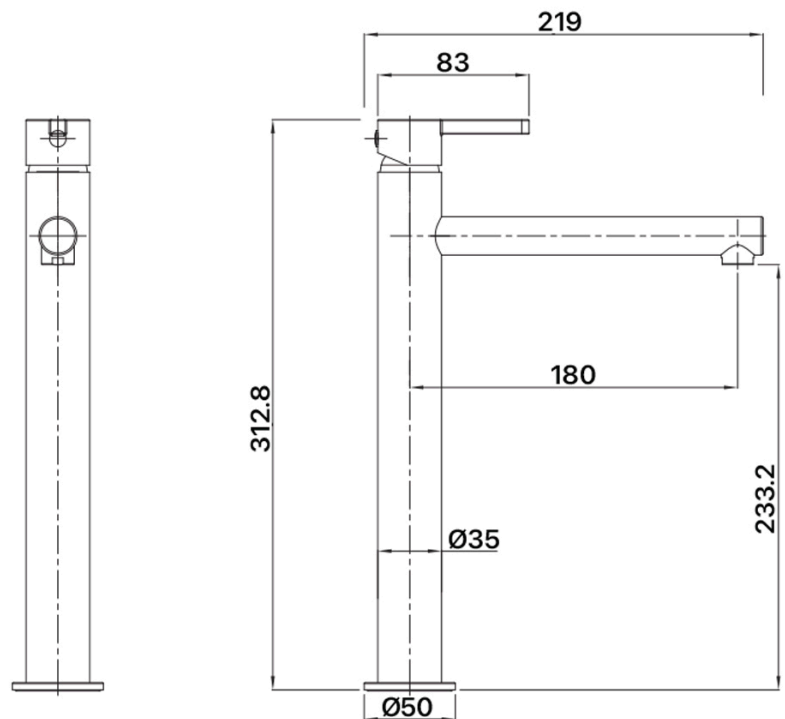


Gun  
Metal



Matt  
Black

## ALOE TOWER VESSEL MIXER



A BRAND BY

**BRASSHARDS**

— GROUP —