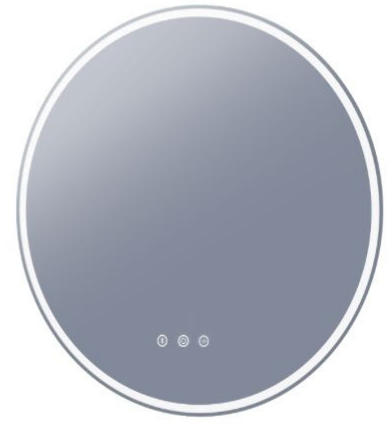


Sphere 800DB

S80DB



Dimension (mm):

Diameter 800

Depth 40

Features:

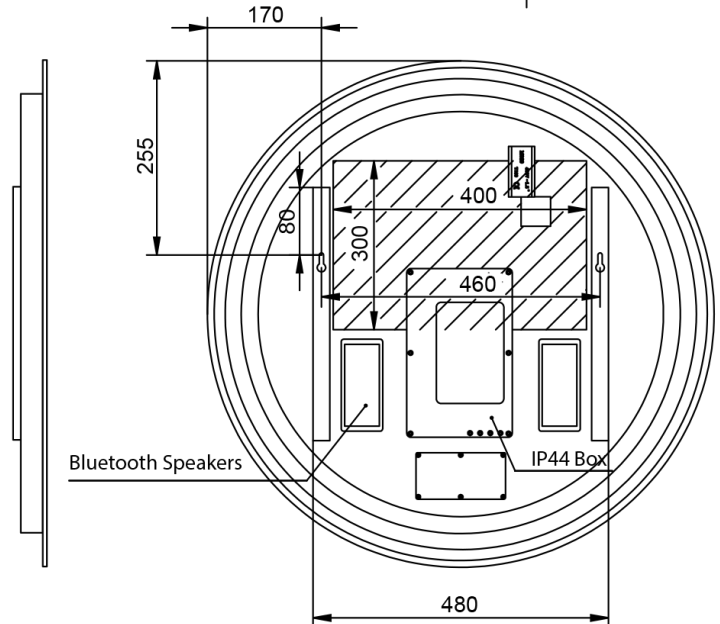
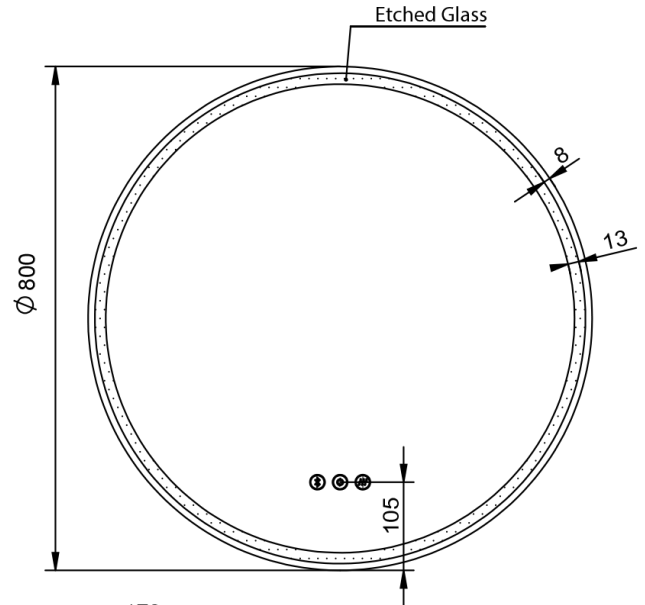
LED Lighting (Backlit)

Adjustable Colour Temperature

Demister with 1 Hour Auto Cut-off

Bluetooth Speakers

Copper Free Mirror



Please note: Must be installed by a licensed electrician in accordance with local regulations

To clean this mirror, wipe it with a soft microfiber cloth or a lint free cloth that has been rinsed in warm water and wrung out well, then rub the mirror gently with a soft dry cloth.

PLEASE do not use glass or window cleaner, or other cleaners with chemical agents. These may damage the silver coating and brown marks can result.

Please confirm all particulars with your sales consultant or refer to our website for more information prior to purchase.

WARRANTY
5 years

*Conditions apply