

Alegra Back-to-Wall Freestanding Bath with tile bead



Product Code [All white]: **AG1400W / AG1500W / AG1700W**

Product Code [Black & white]: **AG1700B**

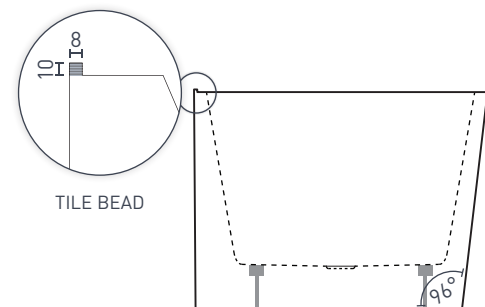
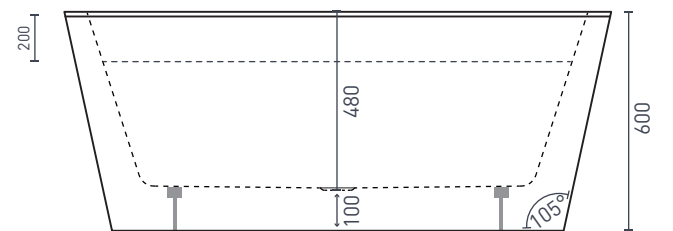
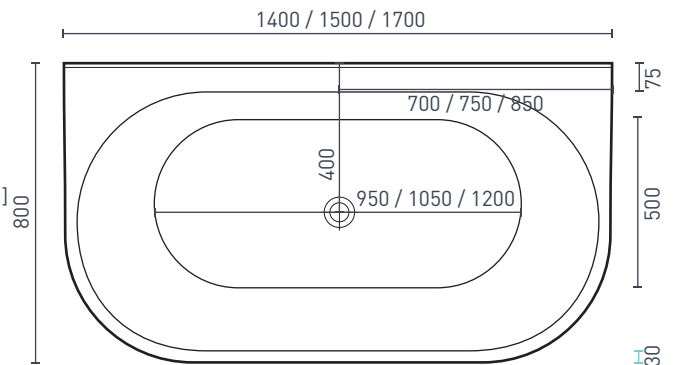
The Alegra's beautiful curved edges & one-sided tile bead design allows it to be integrated into the wall, achieving a water tight seal around the bath rim. One of Decina's top sellers, this design is also available in a contrasting black & white finish.

- AS/NZ Standard 2023:1995
- Adjustable self-supporting feet
- Lumbar support
- Suitable for dual bathing
- Internal steel support frame



PRODUCT SPECIFICATIONS

Colour:	High gloss white / High gloss black & white
Material:	Premium sanitary grade acrylic
Length:	1400mm / 1500mm / 1700mm
Width:	800mm
Height:	600mm
Capacity:	135L / 162L / 175L [200mm below the bath rim]
Bath Type:	Back-to-wall freestanding
Waste Position:	Centre
Net Weight:	55kg / 60kg / 65kg
Warranty:	10 years* (refer to decina.com.au)



OPTIONAL ACCESSORIES

- 40mm Removable Pop-up Waste *Chrome* **WA001**
White Gloss **WA002**, *Black Matte* **WA003**
- Pop-up Waste & Overflow Kit *Chrome* **OWA001**
- Pop-down Waste & Overflow Kit *Chrome* **OWA002**
- Pop-down Waste & Overflow Kit *Black* **OWA003**
- Flexible Bath Connector with Pop-up Waste *Chrome* **OWA004**
- Flexible Bath Connector *Cap & Lining only* **OWA005**
- Sia Headrest *Black Curved* **SY242-B**

DECINA
DISCOVER INDULGENCE

DECINA.COM.AU 1300 DECINA

*Warranty T&Cs apply, visit decina.com.au Decina reserves the right to change specifications without notice. Due to manufacturing tolerances dimensions may vary +/- 5mm. We recommend installation does not start until after delivery. Please confirm all particulars prior to purchase, call 1300 DECINA or visit decina.com.au