

Aulic

Aulic



For sustainability and environment protection,
please scan the QR code for a soft copy.

www.aulic.com.au
ALEX GROUP AUS PTY LTD



TOUCHLESS
LED MIRROR
COLLECTION



Our Story

Aulic



In 2013, a vanity company was born in Victoria named Aulic Bathrooms. We have grown our portfolio of products and renamed it to The Alex Group Australia. We now stock brand products such as the Aulic Vanities, Lafeme Smart Toilets and the Xenia Collection. Our passion is providing and supplying customers with expertly crafted vanities and modern, luxurious cistern-less bidet toilets. Featuring high-quality and technological designs, our modern products have been engineered for the Australian lifestyle, with the added factors of comfort, convenience and touch for our customers.

We value and maintain a sharp focus on what is important to our customers, which is:
Service, value and quality with practical designs for everyday living.

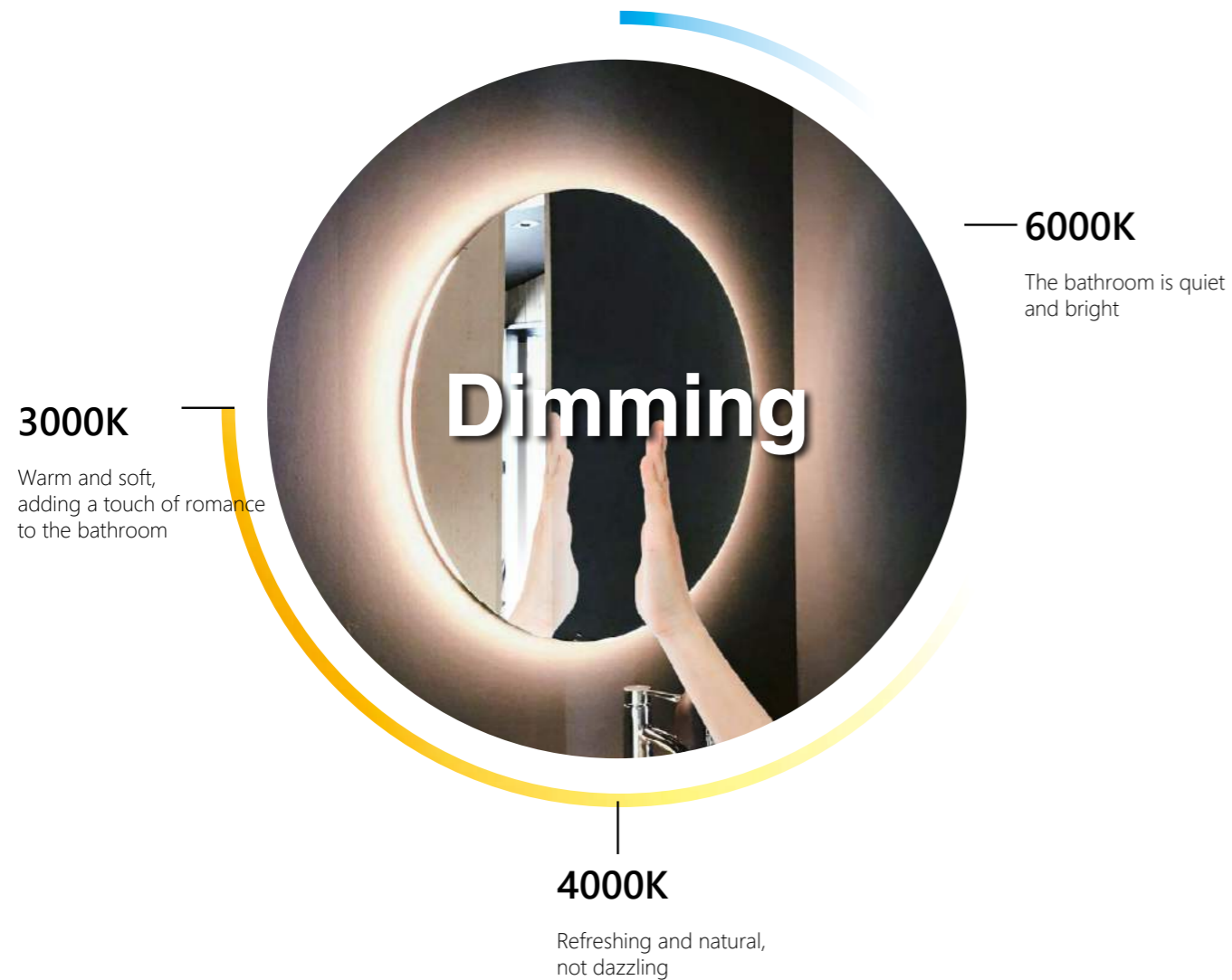


LED Mirror SERIES

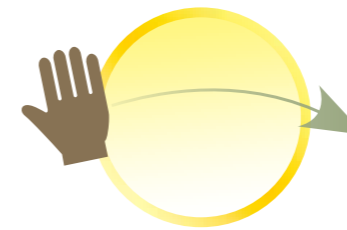
INFINITELY VARIABLE LIGHT AT WILL

You can freely change the brightness of the light through the floating gesture according to your preferences and the needs of the environment.

Free adjustment from 3000k warm light to 6000k daylight



ADJUSTABLE LED TOUCHLESS CONTROL



Change-over switch

All operations simply require a hand gesture over the sensor.



Dimmable

You could adjust the lighting according to your preference with dimmable technology. Energize your day with full brightness and exquisiteness, and end with a more subdued ambiance.



Cut off in 1.5 hours

A new and upgraded intelligent experience. The light turns off automatically after 1.5 hours, saving time and power.



Keep away from dust mites



Avoid bacteria



Eliminate fingerprints

DEMISTER

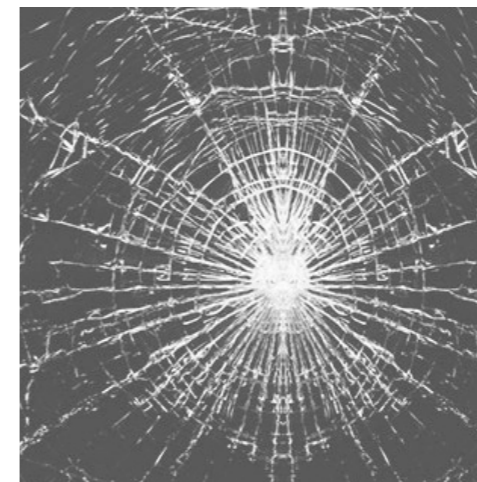
The demister functionality allows you to have steamy showers without compromising the quality and care of your mirror, while still remains a clean and clear to do your morning skincare routine. With more time saved in the morning, not having to wipe down your mirror, and the added comfort of having a warm bathroom during your morning showers, nothing but quality and luxury to enhance your bathroom.



EXPLOSION PROOF LENS

Protect family safety

Our explosion-proof lenses have high resistance
Multi directional protection



Explosion proof mirror

High quality explosion-proof film, non-shattering

VS



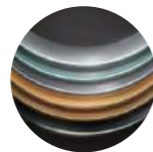
Ordinary mirror

Glass fragment, break free and shatter!



FIVE YEAR WARRANTY

5 Year replacement parts or product for domestic use or 1 year replacement parts or product for commercial use.



COPPER FREE HD MIRROR

Silver nitrate coating is oxidized and blackened resistance. Copper free environment-friendly mirror is more durable and healthy.



HONEYCOMB STRUCTURE

High quality honeycomb board is used in transit, which provides compression and rigidity to the packaging. To ensure your product is intact on delivery, we insist on intelligent packaging design.





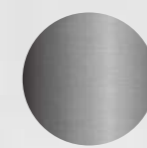
**QUALITY RICH IN
COLOURED STAINLESS
STEEL FRAMES!**



Brushed Bronze
PVD



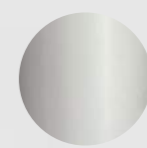
Brushed Gold
PVD



Brushed Nickel
PVD



Gun Metal
PVD



Matte White



Matte Black



CANTERBURY

- LED Lighting
- Adjustable Light Colour
- Adjustable Brightness
- Demister
- 1.5 Hour Auto Cut-off



Note: Actual colours may vary so please check color samples before ordering.



CANTERBURY

Available Size

LMCAN-500: 500x900mm

FEATURES AND BENEFITS

Copper free mirror
Touchless Sensor
Backlit

LIGHTING SPECIFICATIONS

CCT: 6000K – 4000K – 3000K
CRI: >80

INSTALLATION

Wall mount
Hardwire
Input voltage: 220-240v 50Hz









CANTERBURY FRAMED

Available Size

LMCAN-500-BZ: 503x903mm
LMCAN-500-BG: 503x903mm
LMCAN-500-BN: 503x903mm
LMCAN-500-GM: 503x903mm
LMCAN-500-MW: 503x903mm
LMCAN-500-MB: 503x903mm

QUALITY COLOURED STAINLESS STEEL FRAME

- Brushed Bronze PVD 
- Brushed Gold PVD 
- Brushed Nickel PVD 
- Gun Metal PVD 
- Matte White 
- Matte Black 



BEAU MONDE

- LED Lighting
- Adjustable Light Colour
- Adjustable Brightness
- Demister
- 1.5 Hour Auto Cut-off



Note: Actual colours may vary so please check color samples before ordering.



BEAU MONDE

Available Size

LMBM-450: 450x900mm

FEATURES AND BENEFITS

Copper free mirror
Touchless Sensor
Backlit

LIGHTING SPECIFICATIONS

CCT: 6000K – 4000K – 3000K
CRI: >80

INSTALLATION

Wall mount
Hardwire
Input voltage: 220-240v 50Hz









BEAU MONDE FRAMED

Available Size

- LMBM-450-BZ: 453x903mm
- LMBM-450-BG: 453x903mm
- LMBM-450-BN: 453x903mm
- LMBM-450-GM: 453x903mm
- LMBM-450-MW: 453x903mm
- LMBM-450-MB: 453x903mm

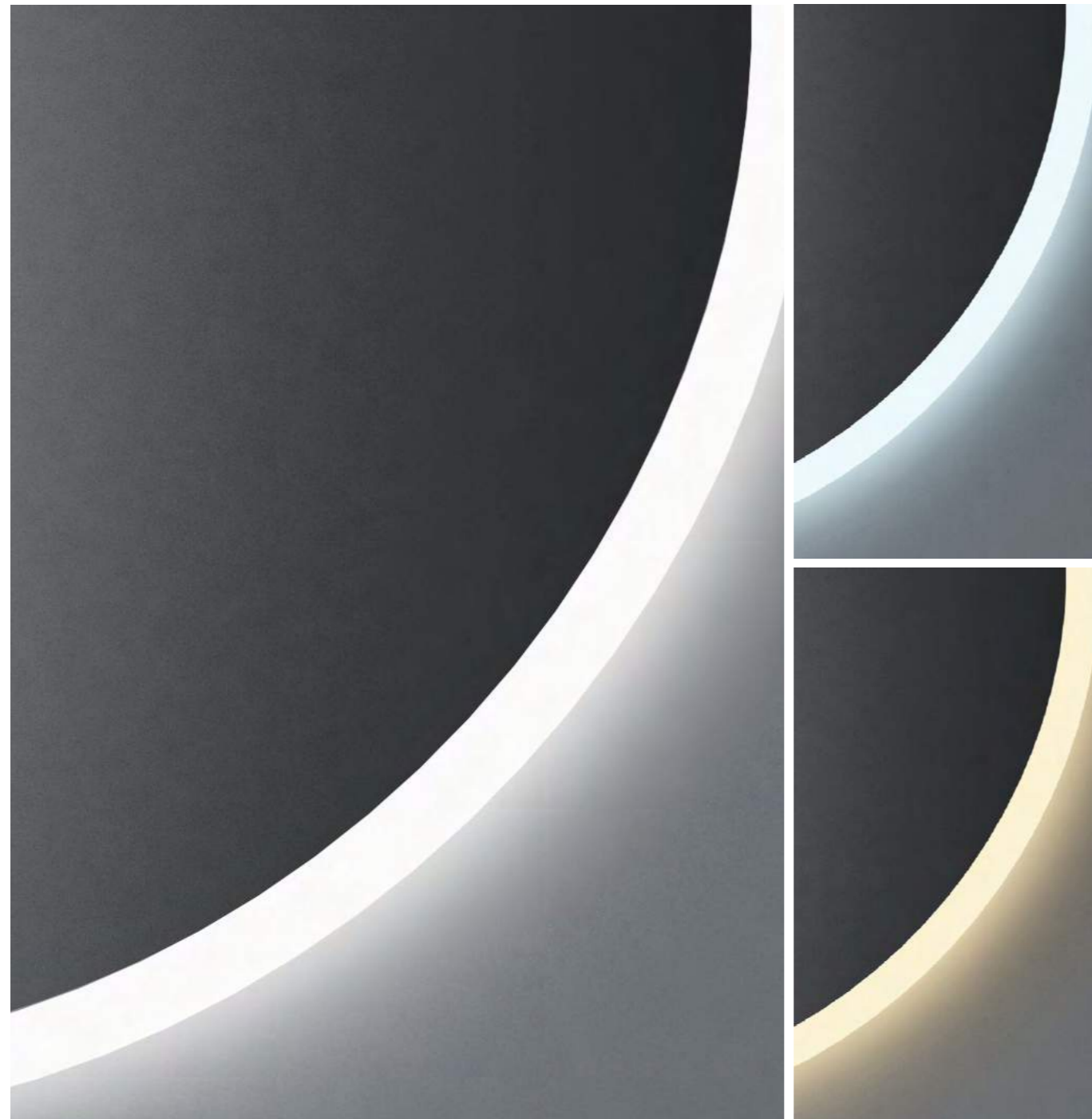
QUALITY COLOURED STAINLESS STEEL FRAME

- Brushed Bronze PVD 
- Brushed Gold PVD 
- Brushed Nickel PVD 
- Gun Metal PVD 
- Matte White 
- Matte Black 



WINDSOR

- LED Lighting
- Adjustable Light Colour
- Adjustable Brightness
- Demister
- 1.5 Hour Auto Cut-off



Note: Actual colours may vary so please check color samples before ordering.



WINDSOR

Available Size

LMWIN-700: 700mm Dia
LMWIN-900: 900mm Dia

FEATURES AND BENEFITS

Copper free mirror
Touchless Sensor
Backlit

LIGHTING SPECIFICATIONS

CCT: 6000K – 4000K – 3000K
CRI: >80

INSTALLATION

Wall mount
Hardwire
Input voltage: 220-240v 50Hz









WINDSOR FRAMED

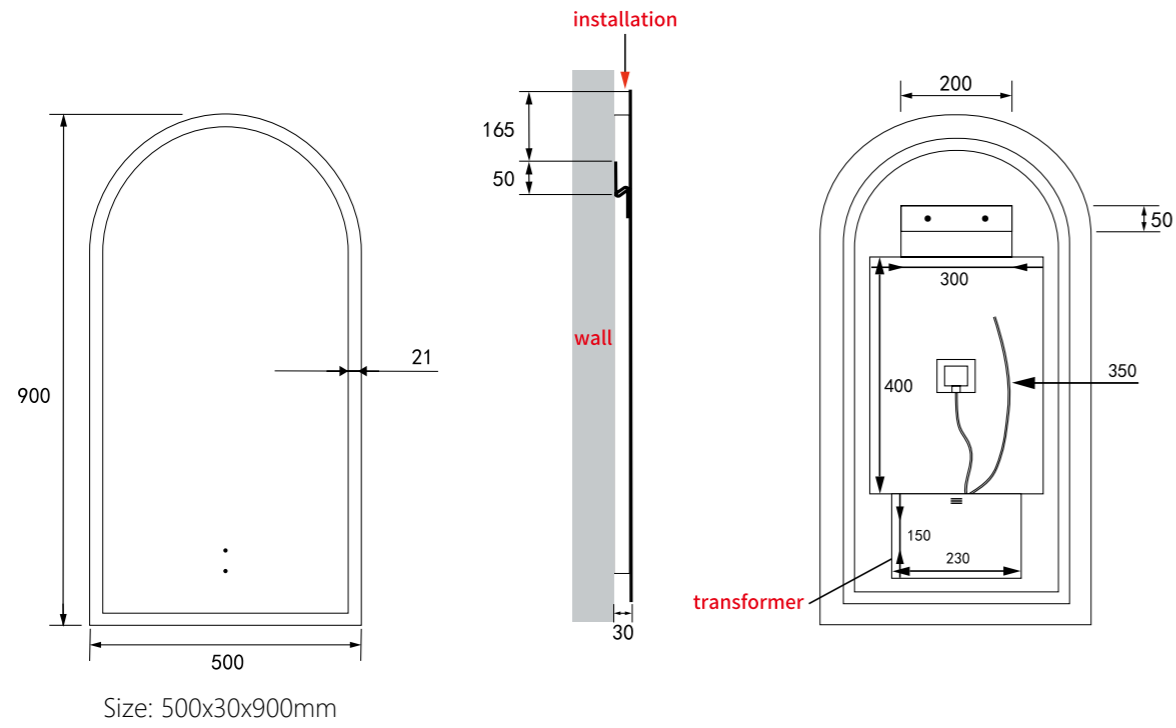
Available Size

LMWIN-700-BZ: 703mm Dia	LMWIN-900-BZ: 903mm Dia
LMWIN-700-BG: 703mm Dia	LMWIN-900-BG: 903mm Dia
LMWIN-700-BN: 703mm Dia	LMWIN-900-BN: 903mm Dia
LMWIN-700-GM: 703mm Dia	LMWIN-900-GM: 903mm Dia
LMWIN-700-MW: 703mm Dia	LMWIN-900-MW: 903mm Dia
LMWIN-700-MB: 703mm Dia	LMWIN-900-MB: 903mm Dia

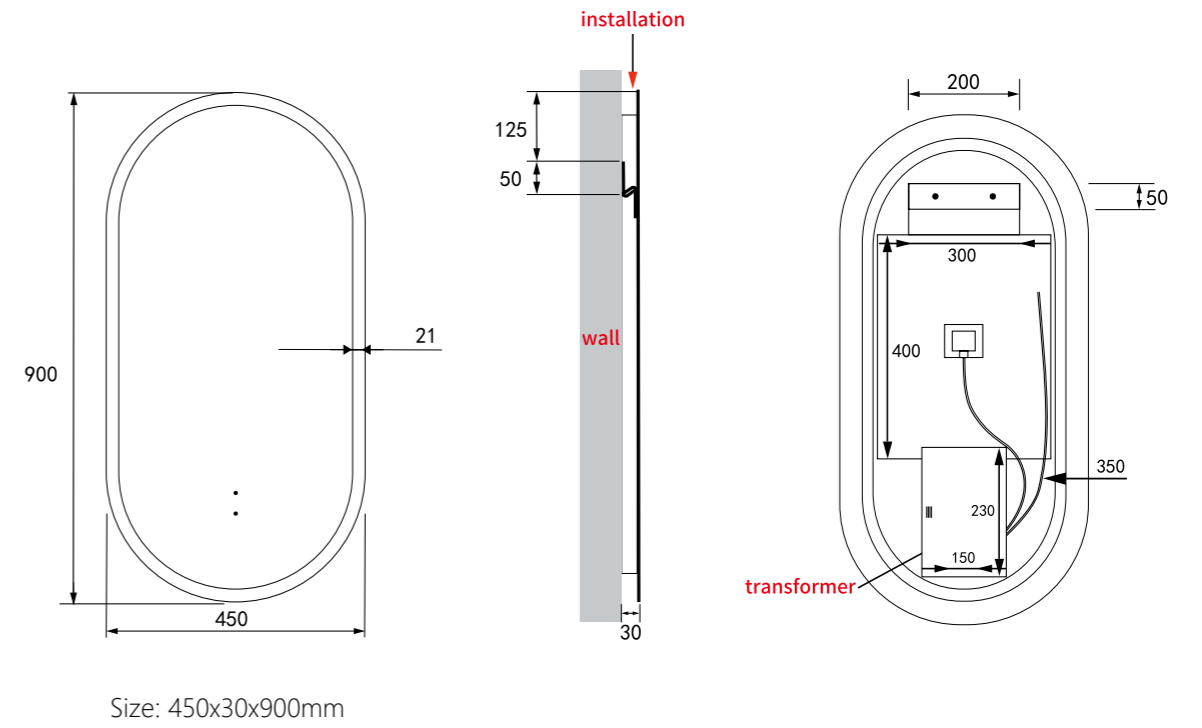
QUALITY COLOURED STAINLESS STEEL FRAME

- Brushed Bronze PVD 
- Brushed Gold PVD 
- Brushed Nickel PVD 
- Gun Metal PVD 
- Matte White 
- Matte Black 

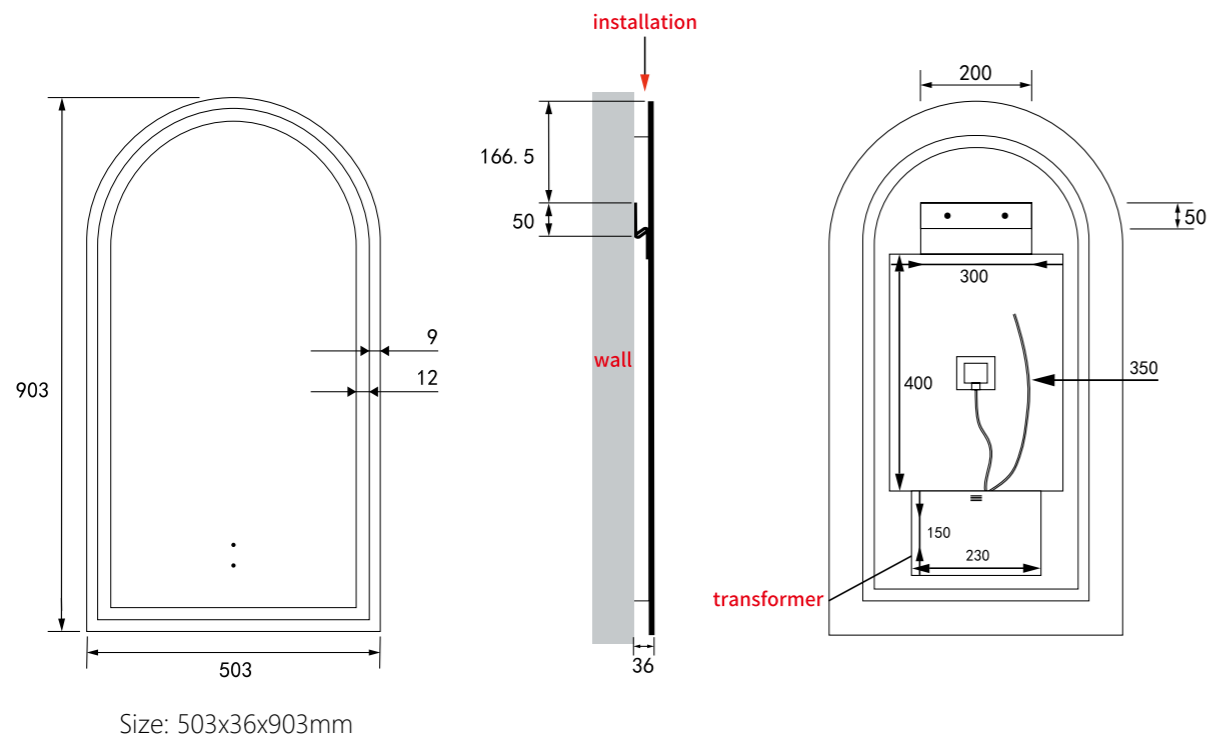
CANTERBURY



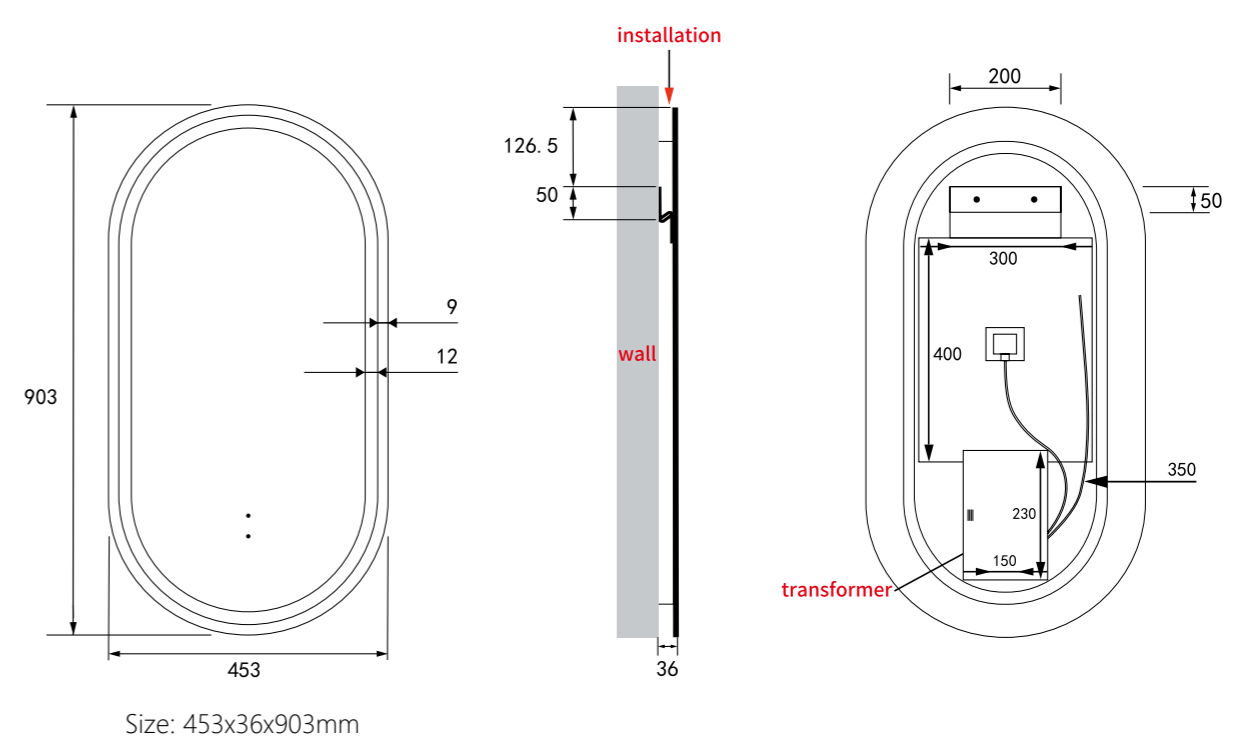
BEAU MONDE



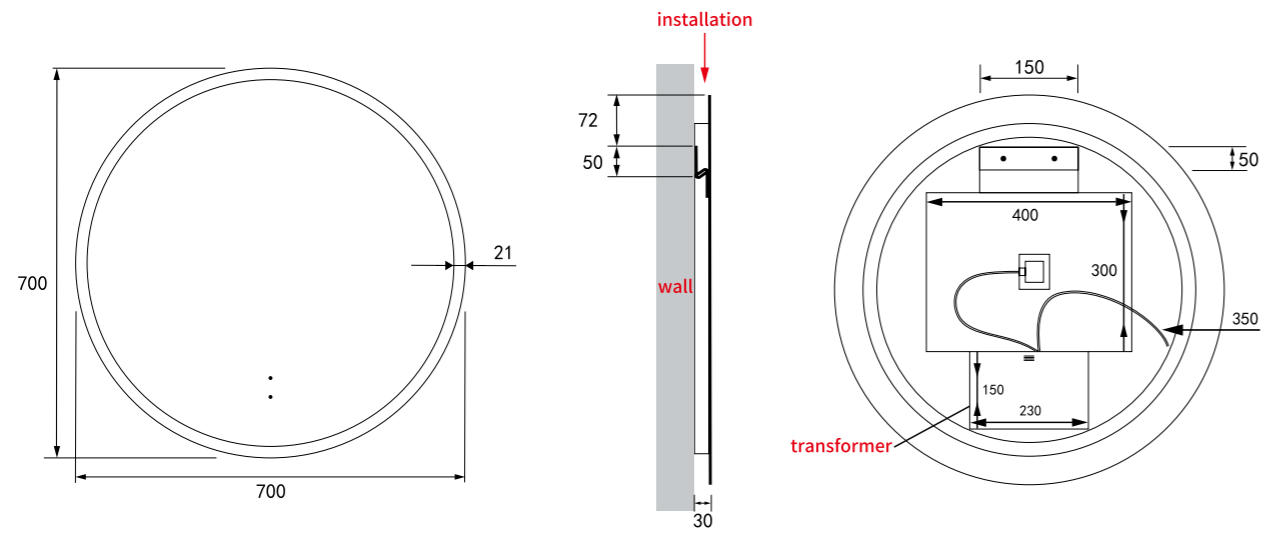
CANTERBURY FRAMED



BEAU MONDE FRAMED

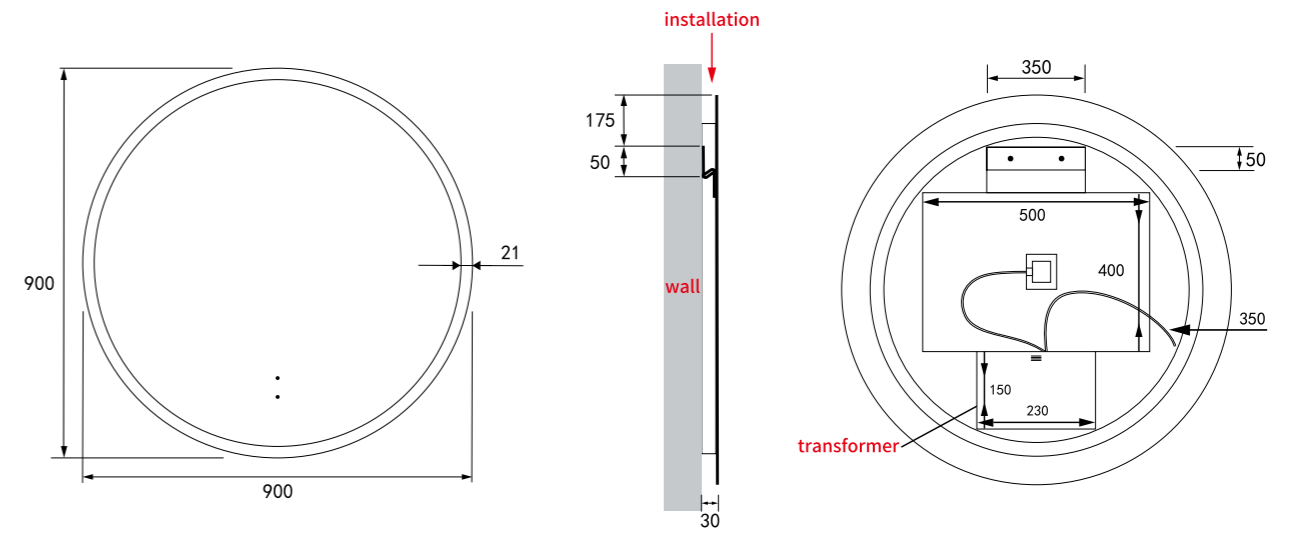


WINDSOR



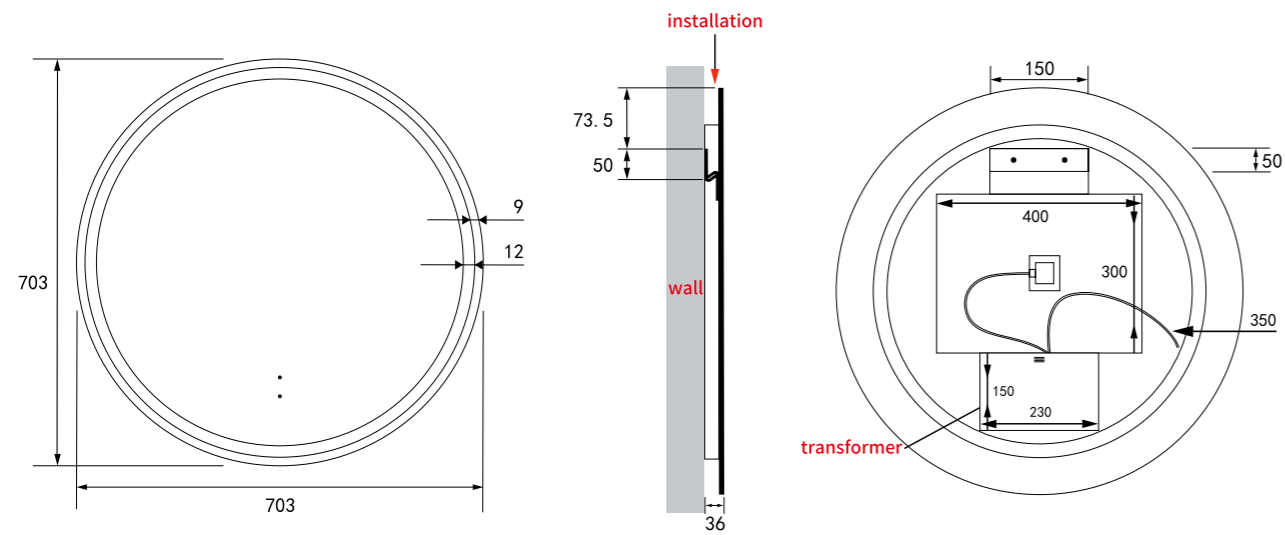
Size: 700x30x700mm

WINDSOR



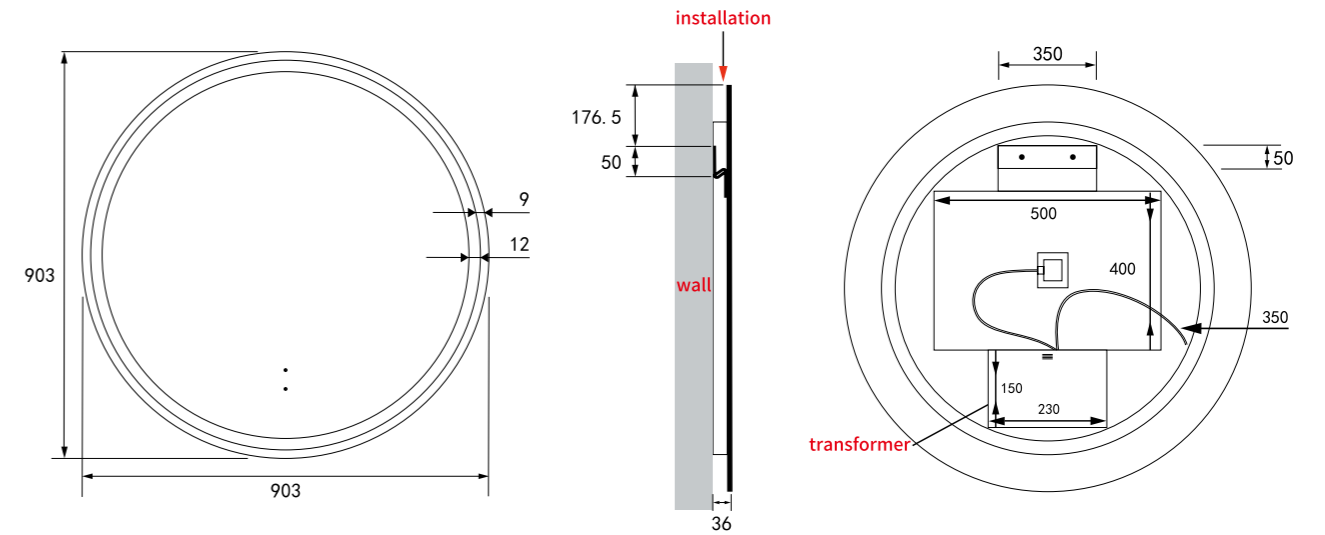
Size: 900x30x900mm

WINDSOR FRAMED



Size: 703x36x703mm

WINDSOR FRAMED



Size: 903x36x903mm

WARRANTY

ALEX GROUP AUS PTY LTD is made to the highest industry standards and quality, referring to table below for warranty periods.

LED mirrors	5 years replacement product or parts. 12 months replacement product or parts & labour.
Commercial use	12 months replacement product or parts & labour.

CONDITIONS:

1. Installation is made by a LICENSED electrician.
2. Failure derives from a fault in the quality of the product.
3. Proof of purchase should be provided when making a claim.
4. The product should be installed properly.
5. **This warranty does not cover scratching or normal wear and tear, as these are not manufacturing faults.**

To fullest extent under the law, ALEX GROUP AUS PTY LTD is not liable for damage to any person or property and any indirect consequence or other loss, ALEX GROUP AUS PTY LTD liability does not include the cost of installation or removal of any product and no warranty will be supplied if damage occurs during or after INSTALLATION or a damaged or incorrect part has been installed. The warranty does not cover the issue by improper installation, accidents, misuse, abuse and negligence, installation or part installation by the purchaser or any person other than a LICENCED TRADESPERSON. Must avoid contact with hard sharp objects due to the nature of glass, it can be SCRATCHED with normal day to day use this is not covered by warranty.

CLEAN AND MAINTENANCE

Mirrors:

- Please use a soft cloth with a mixture of 30% isopropyl and 70% water to clean the surface of glass;
- Dry off the mirror edges.

Frames:

- Please use a soft cloth with water to clean the frame.
- Dry off the frame

Any abrasive, acid or alkaline-based cleaners are prohibited to use.