

AVALON

FRAMELESS SHOWER SCREEN - Chrome/Clear 8mm Toughened Safety Glass

The Avalon's sliding door with innovative stainless steel square rollers & polished aluminum frame suites a modern bathroom style. With generous height & a space saving design, an interior/exterior stainless steel handle & a soft magnetic closing system, functionality & style are equally matched.

- ✓ EZI clean premium glass protection
- ✓ Easy install gasket wall system
- ✓ Corrosion resistant steel fittings
- ✓ Fully Concealed fixtures
- ✓ Anti-fungal & UV resistant seals
- ✓ Dripless door strips
- ✓ Soft magnetic door closing system
- ✓ Right or left hand door entry

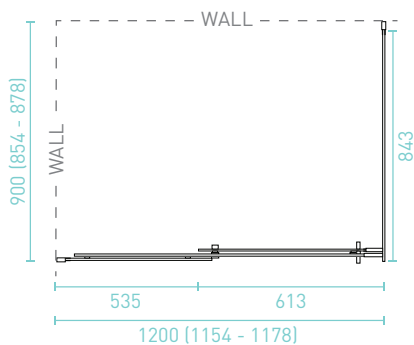
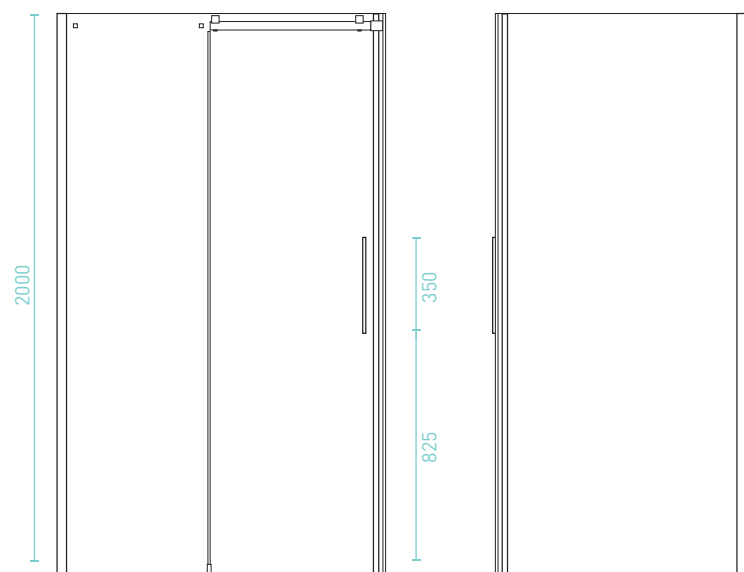


AVALON FRAMELESS SHOWER SCREEN

SIZE (w) x (d) x (h) mm	NET WEIGHT	CODE
1200 (1154 - 1178) x 900 (854 - 878) x 2000	74kg	AVSS1200C

- *Adjustable wall channels (24mm)
- **5 YEAR WARRANTY***
- Made to AS/NZ Standard 1288:2006
- Sliding door is suitable for an alcove installation
- Install on tiled walls or the **TWO SIDED** Acrylic Shower Wall
- Install on a tiled floor or the **LUNA** Acrylic Shower Base

AVALON SHOWER SCREEN ACCESSORIES	AVSS1200C
TWO SIDED Acrylic Shower Wall	SW1000
LUNA 1200 Acrylic Shower Base (Rear Waste)	SB1200R3T



AVALON SHOWER SYSTEM **AVSYS1200R**
(shower screen **AVSS1200C**, acrylic shower wall **SW1000** & LUNA shower base **SB1200R3T**)