

30cm Domino Gas Wok

COOKTOP

PRODUCT CODE: **EMJG30WSX**



FEATURES:

- + High power triple ring wok burner
- + Flame failure safety device
- + Front control knob
- + 1 touch electric ignition
- + Non-slip cast iron trivet
- + Wok support trivet included
- + Natural gas or LPG (jets included)
- + Easy clean one-piece cooktop
- + Made in Italy

THE EURO DOMINO WOK COOKTOP

Will allow you to cook with a high megajoule rated burner, ideally suited for stir fry's, searing meats, fish, vegetables along with fast boiling of liquids. The cast iron wok support enables you to use various cook ware.

FLAME FAILURE SAFETY DEVICE

The flame failure device is a safety mechanism which ensures the gas is automatically turned off in the case of the flame extinguishing.

SPECIFICATIONS:

Electrical Requirements	Cooktop is supplied with 10Amp plug & cord
Gas rated pressure:	
LPG Gas:	2.75 kPa
Natural Gas:	1.00 kPa
Natural Gas Burners:	17.0 MJ/h
Weight	5.5kg (gross) / 5.0kg (net)
Product Dimensions	W305mm x D510mm
Barcode	9347726003078

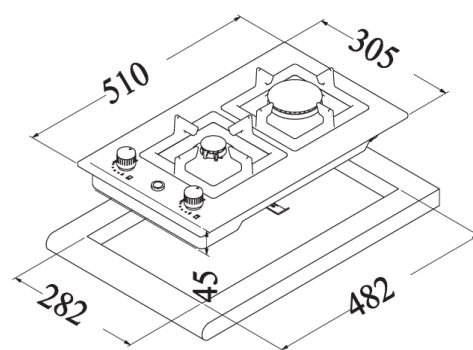


eurocooking



Warranty

INSTALLATION DIAGRAM



INSTALLATION INFORMATION

Warning: This cooktop can be installed in an al fresco area in accordance with the following:

- Installation must be performed by a qualified competent installer.
- The cooktop cannot be exposed to rain, moisture or dust.
- Do not install in a location where winds may blow water or dust onto the cooktop.

