

# SARDINA SHOWER MIXER

SINGLE LEVER CONCEALED SHOWER  
MIXER WITH DIVERTER



# SARDINA SHOWER MIXER

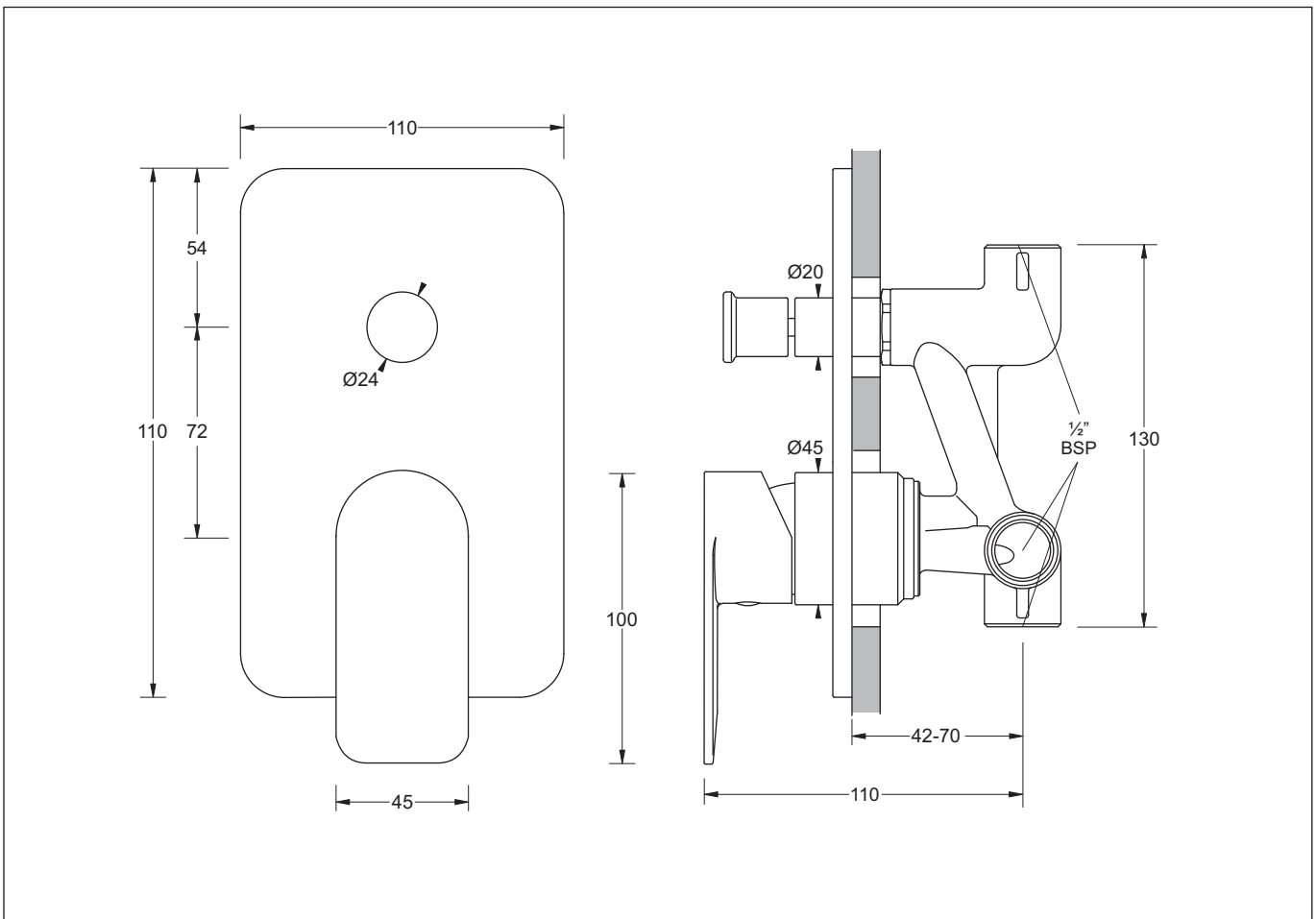
## CONCEALED SHOWER MIXER WITH DIVERTER



- Attractively styled concealed shower mixer
- Single lever activation with a flat lever design style
- Compact design
- Quality 35mm diameter ceramic disc provides accurate flow and mixing temperature control
- Cover plate adjustable to accommodate different wall/tile thicknesses

### Provided

Item	Description	Code
Toilet	Sardina Shower Mixer with Diverter	MTS605
Installation	Instruction sheet, Allen key	✓



All dimensions are in millimetres and are subject to normal manufacturing variation.  
 As product development is ongoing BPA reserves the right to vary specifications without notice.  
**Bathroom Products Australia P/L** ABN 87 079 297 617

Tel: 1300 717 717  
 Fax: 1300 746 480