



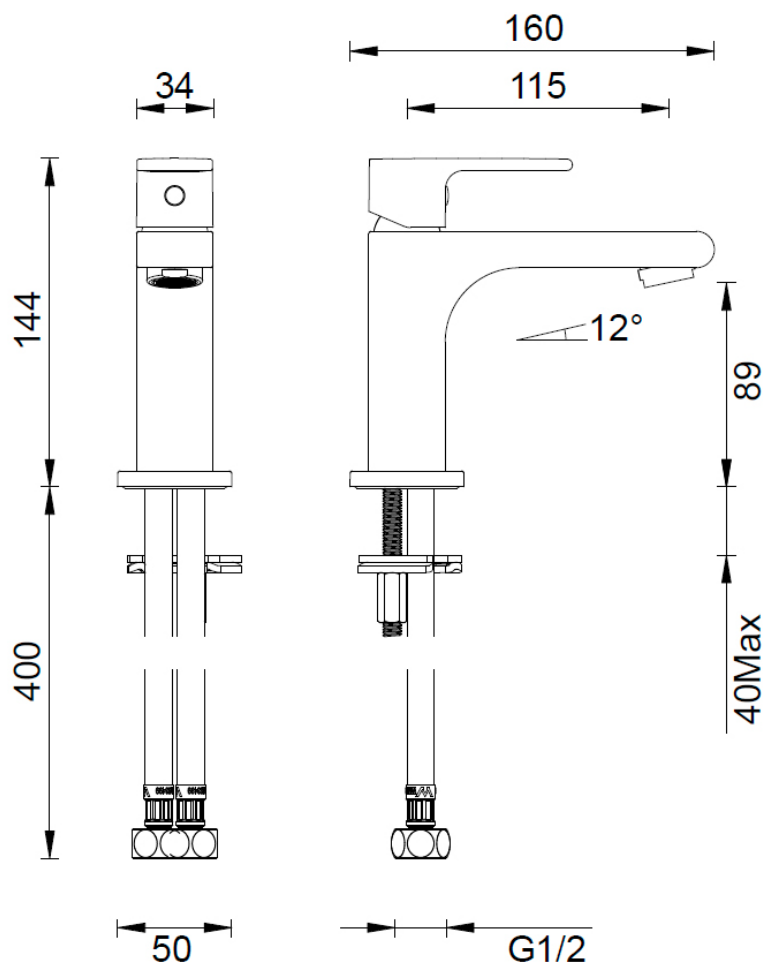
GARETH
ASHTON

1B1

PARK AVENUE BASIN MIXER

WELS Rating 6 Star 4.5L/min

WELS Registration #T17056 (Chrome) #T17056(v) (Finishes)



AVAILABLE IN



1B1
(CHROME)



1B1-B
(BLACK)



1B1-BN
(BRUSHED NICKEL)



1B1-GM
(GUN METAL)

P: 1800 809 143

E: mail@abey.com.au

W: www.abey.com.au

