

EXON TOWER MIXER



WELS: 5 Star 6L/min

WELS Reg No: T34895

Pressure Rating:

Min 150KPa - Max 500KPa



Matte Black
WT 1102AK



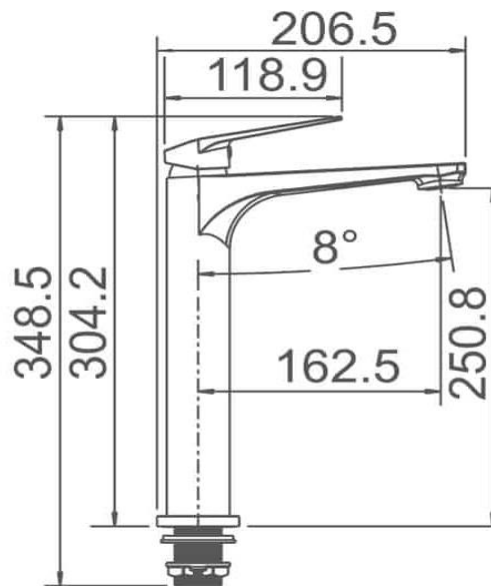
Gun Metal
WT 1102GM



Brushed Nickel
WT 1102BN

Chrome
WT 1102A

SPECIFICATIONS



CLEANING & MAINTENANCE:

Tapware should be cleaned with mild detergent and water

All Products must be cleaned with a soft cloth with soapy water, avoid waxes, solvents, abrasives, acids and other chemical based cleaners

Warranty will be void if damages are caused by unsuitable cleaning products

WARRANTY INFORMATION:

Ceramic Cartridge has a 20 year replacement warranty

Chrome Finish has a 5 year replacement warranty

All other finishes have a 2 year replacement warranty

All products have a full 1 year in house labour warranty from date of purchase