

Allure

WG White Gloss
ALL-BS-360-WG-S

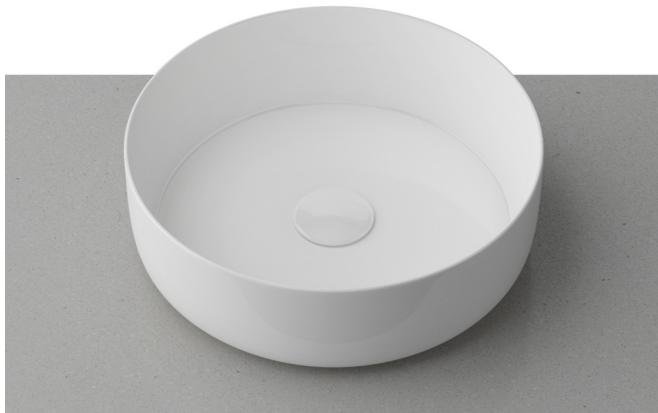
WM White Matt
ALL-BS-360-WM-U

BM Black Matt
ALL-BS-360-BKM-U

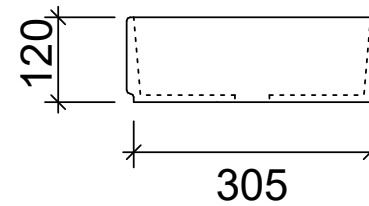
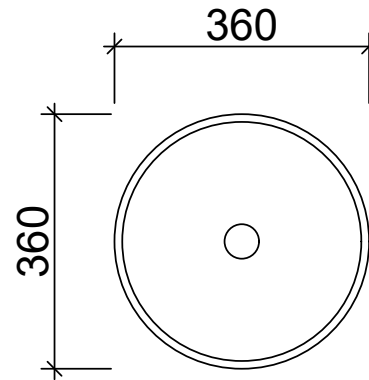
GM Black Matt
ALL-BS-360-GM-U

LGM Light Grey Matt
ALL-BS-360-LGM-U

PM Pink Matt
ALL-BS-360-PM-U

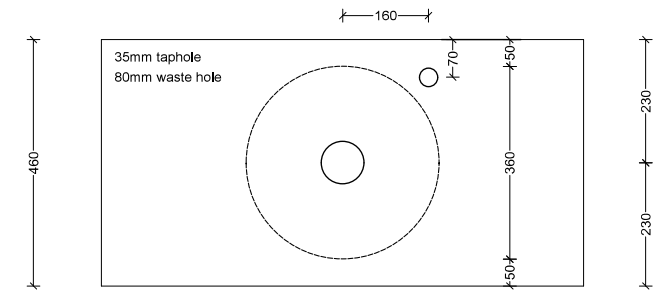


Above Counter

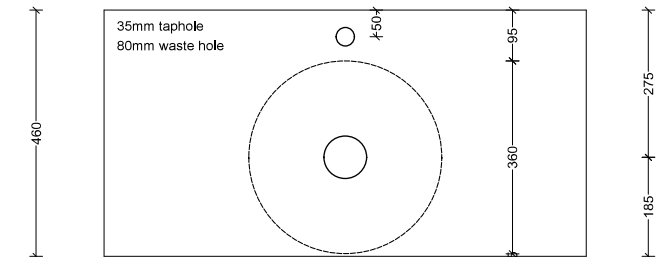


Drawings

Taphole Offset



Taphole Behind



Cut Out Specifications

Approx Capacity: 10L

Cut Out Size: 80mm

Waste Size: 32mm without overflow

Note: Due to the manufacturing process, ceramic basins will vary from their nominal stated sizes. Use the dimensions provided as a guide only. Waste not included. Refer to brochure for pricing.