

PAPER TOWEL / COMBINATION UNITS



ML725SS_MK2

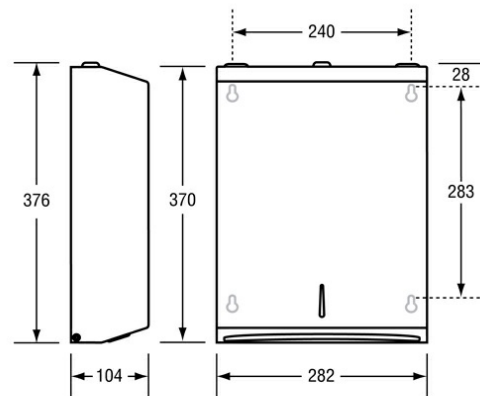
Paper Towel Dispenser in Satin Stainless Steel

Specification

Material	#304 Stainless Steel
Finish	Satin Stainless Steel
Mounting	Surface Mount Concealed Fix
Dimensions	376mmH x 282mmW x 104mmD
Features	Unit fitted with tumbler lock Front View Paper Indicator
Consumable Advice	Slimline Multifold ('Z' Folded). Nominal Sheet Size 230mm Long X 230mm Wide For more information on how to choose paper towel click on the link here
Also Available	DESIGNER ML725 : Designer Matte Black ML725W MK2 : White
Note	Unit is supplied with 2 keys * This unit is accessible compliant when installed in accordance with AS1428.1. guidelines.

Downloads & Resources

Care & Maintenance
 Installation instructions
 Auto cad
 Archi cad
 Revit
 Google sketch up
 Associated Videos
 Stainless Steel Cleaning & Maintenance



The photographs and line drawings of the products presented above are representational only. Metlam Australia Pty Ltd reserves the right to, and from time to time, make changes and improvements in design and dimensions.