

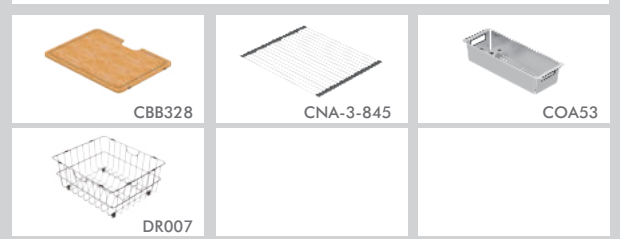


Model Code: MOA360

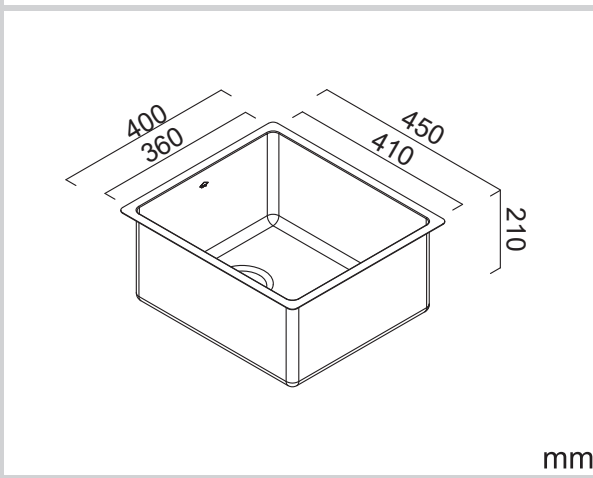
Included Accessories



Optional Accessories



Dimensions



Specifications

Description	Single Bowl, Inset/Undermount Sink
Overall Sink Size	400mm x 450mm x 210mm deep
Bowl Dimensions	360mm x 410mm x 210mm deep
Drainer Length	N/A
Technic	Fabrication
Material	Stainless steel SUS304

Installation

Fixings	Inset & Undermount clips supplied
Template	N/A
Min Cabinet Size	500mm
Waste Holes	1 x 90mm round Compatible with waste disposal

Plumbing

Waste Fittings	1 x (90mm x 2") basket waste included
Overflow	Available, conditions apply

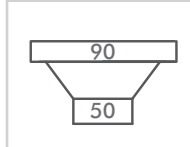
Packaging

Carton Type	EPS protection & skirt
Gross Weight	5.6Kg
Carton Size	493mm x 286mm x 513mm
Pack QTY	1

SURFACE FINISH



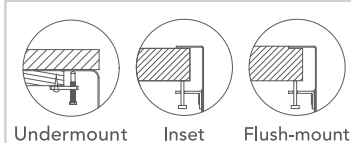
WASTE KIT



MATERIAL



INSTALLATION OPTIONS



PROFILE

