

MZ0203

SQUARE SHOWER RAIL SET



meir®

FEATURES

- Refer to the Meir website for warranty terms & conditions.
- Flow rate 9 L p/m
- European components and cartridge
- Solid brass construction
- Box Weight 9 kg
- 68mm long 1/2" threaded adapter included

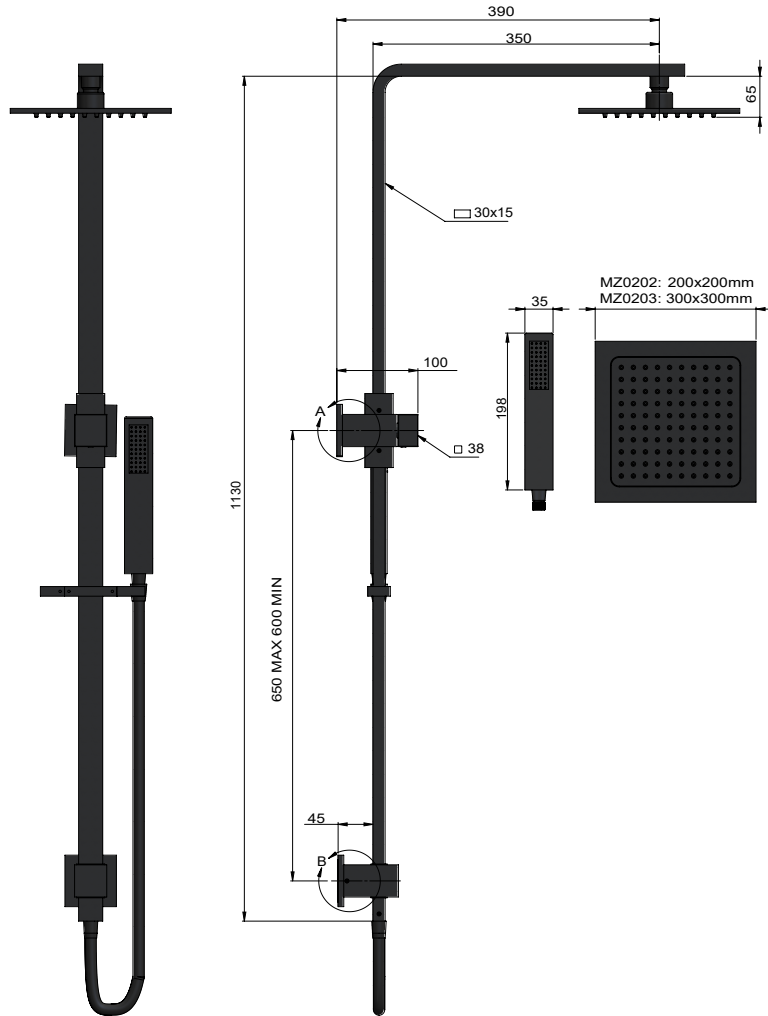
CARE

- Do not install tapware using any form of acetone silicones.
- Do not apply physical items (such as tools) directly to product.
- Never use house-hold or commercial detergents, citrus based cleaners, or abrasive cleaners.
- Clean using a mild washing soap solution rinsed, and dry with a soft cloth.
- Check for any product defects before installation.
- Refer to the installation manual for correct installation.

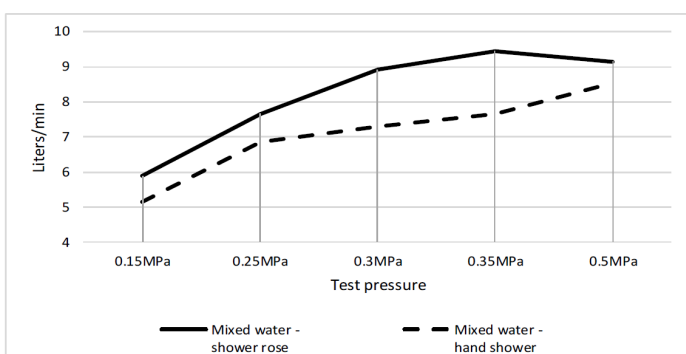
CREDENTIALS

- Watermark AS/NZS3718WMKA25013
- Wels Rated 3 Star

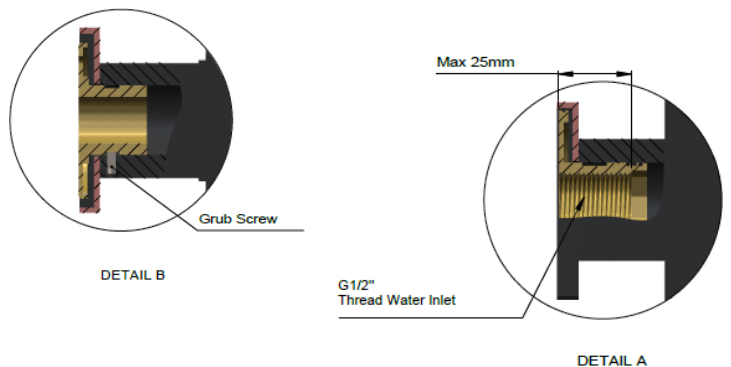
SPECIFICATIONS



FLOW RATE GRAPH



TOLERANCES

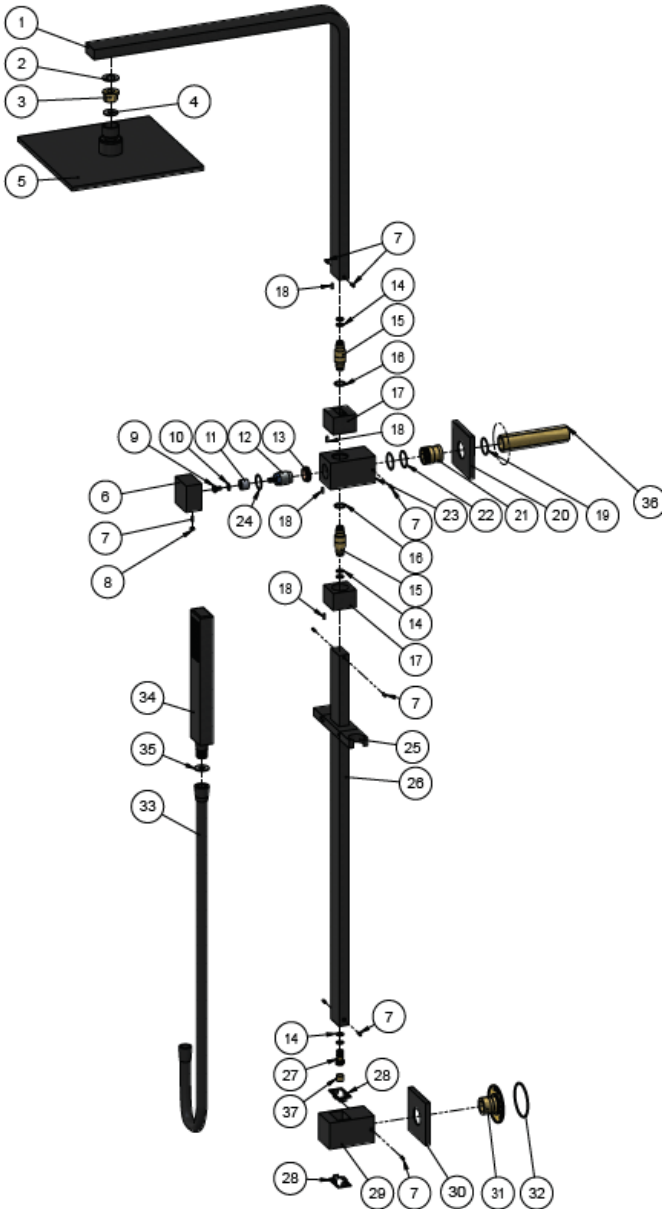


MZ0202

SQUARE SHOWER RAIL SET

meir®

EXPLODED VIEW



No	Part Name
1	Spout
2	Washer
3	Connector
4	Flow Controller
5	Shower Rose
6	Diverter Handle
7	Screw
8	Decor Button
9	Screw
10	Washer
11	Connector
12	Diverter Cartridge
13	Nut
14	O-ring
15	Connector
16	O-ring
17	Spout
18	Screw
19	O-ring
20	Base
21	Inlet Base
22	O-ring
23	Body
24	Wearing Ring
25	Bracket
26	Pipe
27	Connector
28	Protection Sleeve
29	Fixed Base
30	Base
31	Fixing Base
32	O-ring
33	Shower Hose
34	Hand Shower
35	Flow Controller
36	Threaded adapter
37	Check Valve

