

Modena

TWIN SHOWER

Features

- Polished chrome finish
- Separate water inlet – ideal for retrofitting
- Bottom diverter
- **WELS 3 Star rated, 9L/min**

Rail:

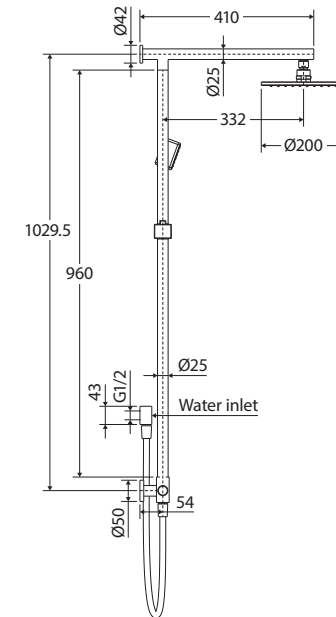
- Deluxe stainless steel elbow
- Made from solid brass
- Includes metal soap basket
- Rail thickness: 25 x 25 mm
- 1.5 metre stainless steel flexible hose

MODENA Overhead Shower (411101):

- 200 x 200 mm
- Thin 8 mm profile
- Easy to clean TPR nozzles
- Made from solid brass
- Brass swivel joint
- Female ½" BSP inlet

MODENA Hand Piece (MSH012):

- Single water-flow setting
- Easy to clean TPR nozzles
- Made from ABS



Available in



Chrome
455103

Cleaning & Care

- Regularly clean with mild soapy water using a microfibre cloth.
- In highly polluted or coastal locations, we recommend cleaning 2-3 times per week.
- Do not use harsh detergents, bleach, cream cleaners or citrus based cleaners. These substances are abrasive and will damage the surface.
- Do not use undue pressure and wipe in one direction only.



While we aim to ensure specifications are correct at the time of publication, Fienza reserves the right to make modifications without prior notice. Physical colour may vary from image shown. All measurements are shown in millimetres. Always use physical product measurements for mark-ups and roughing-in as the technical drawing may differ from actual product received.