



Model Code: NQ200

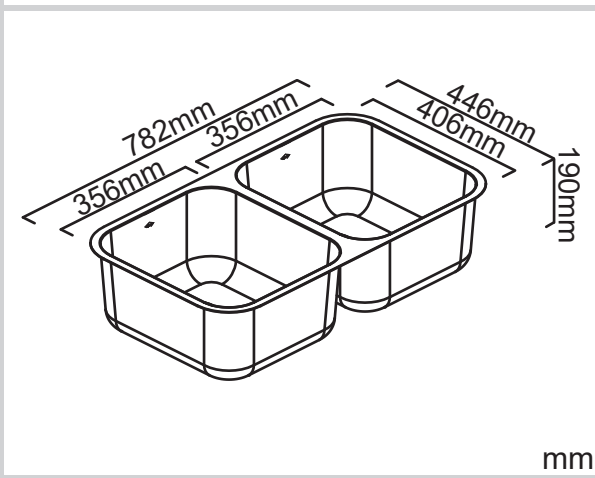
Included Accessories

| | | |
|------|-------|------|
| | | |
| 6020 | ICC12 | UMD8 |
| | | |
| ADT1 | | |

Optional Accessories

| | | |
|------|--|--|
| | | |
| AQCB | | |
| | | |
| | | |

Dimensions



Specifications

| | |
|-------------------|----------------------------------------------------------|
| Description | Double bowl, Inset/Undermount Sink |
| Overall Sink Size | 782mm x 446mm x 200mm deep |
| Bowl Dimensions | 356mm x 406mm x 200mm deep 356mm x 406mm x 200mm deep |
| Drainer Length | N/A |
| Technic | Press |
| Material | Stainless steel SUS304 |

Installation

| | |
|------------------|--------------------------------------------------|
| Fixings | Inset & Undermount clips supplied |
| Template | Supplied |
| Min Cabinet Size | 900mm |
| Waste Holes | 2 x 90mm round Compatible with waste disposal |

Plumbing

| | |
|----------------|---------------------------------------|
| Waste Fittings | 2 x (90mm x 2") basket waste included |
| Overflow | Available, conditions apply |

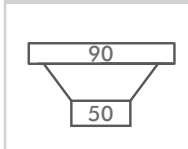
Packaging

| | |
|--------------|------------------------------------|
| Carton Type | EPS protection & individual carton |
| Gross Weight | 8Kg |
| Carton Size | 840mm x 505mm x 295mm |
| Pack QTY | 1 |

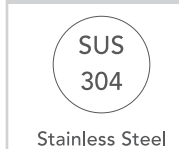
SURFACE FINISH



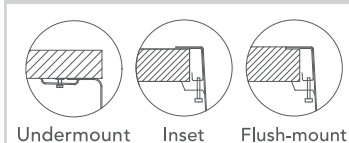
WASTE KIT



MATERIAL



INSTALLATION OPTIONS



PROFILE

