




PEARL WALL TOP ASSEMBLIES

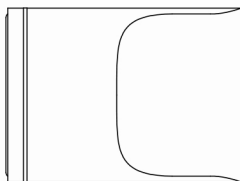
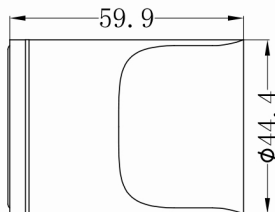


SPECIFICATION

PRODUCT CODE	YSW2017-09
WELS RATING	N/A
WATERMARK LICENSE	WM-060073
TEMPERATURE RATING	MIN 1°C-MAX 75°C
PRESSURE RATING	MIN 150KPa-MAX 500KPa

FINISH

	NR201709CH	chrome
	NR201709BRG	brushed rose gold
	NR201709GM	gun metal



MAINTENANCE AND CARE

All surfaces should be cleaned with mild liquid detergent or soap and water.

Do not use cream cleaners or citrus based cleaning products, as they are abrasive.

Use of unsuitable cleaning agents may damage the surface. Any damage caused in this way will not be covered by warranty.

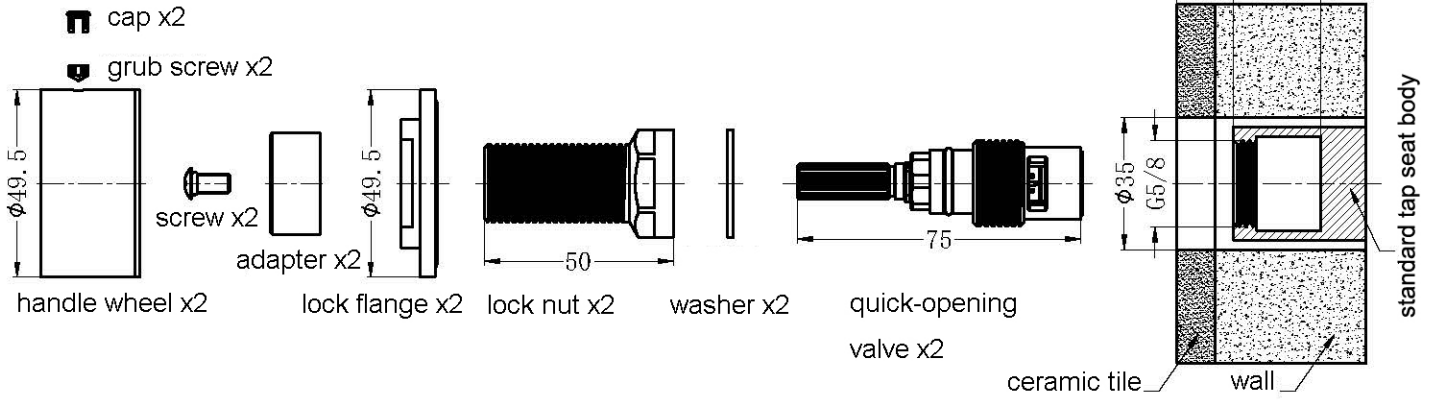
PACKAGING INCLUDES

- 2x handwheel
- 2x valve
- 1x allen key
- 1x cartridge cutting metric block

Dimensions are nominal measurements only.

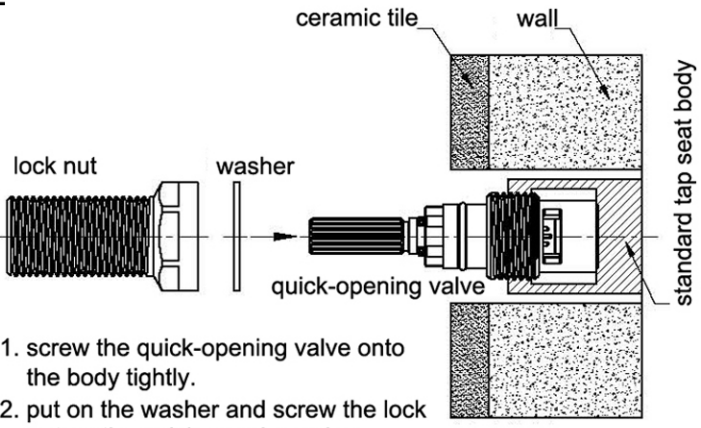


1



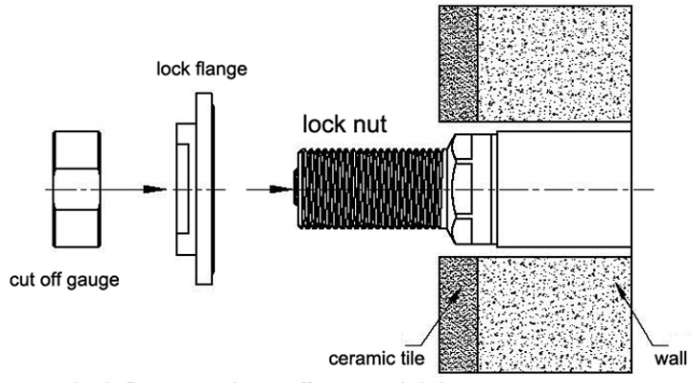
install standard tap seat body as the dimension.

2



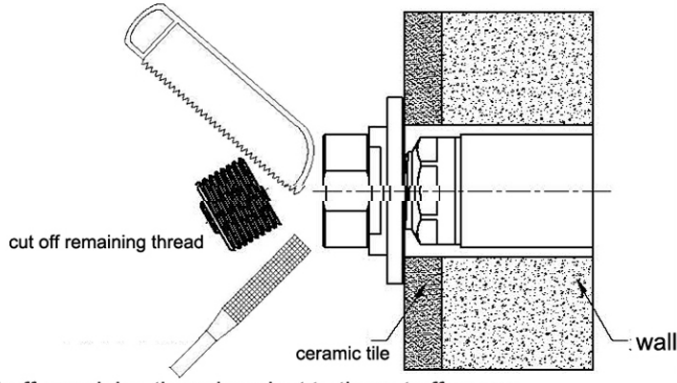
1. screw the quick-opening valve onto the body tightly.
2. put on the washer and screw the lock nut on the quick-opening valve.

3



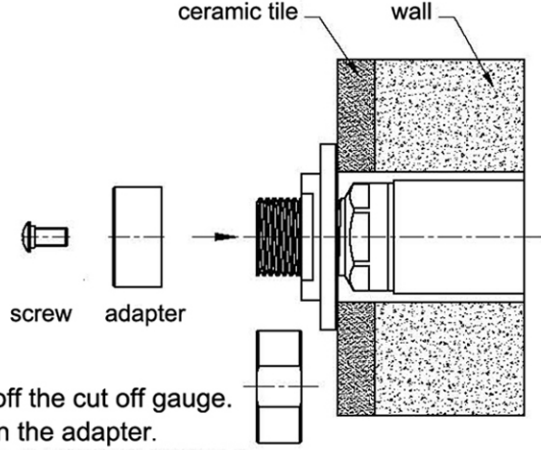
- screw lock flange and cut off gauge tightly on the lock nut in a row.

4



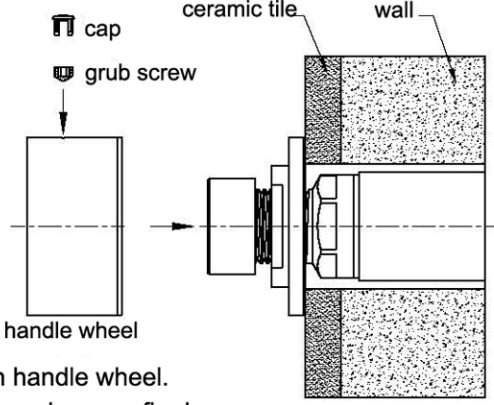
1. cut off remaining thread against to the cut off gauge.
2. use a file to make the cutting surface flat and

5



1. take off the cut off gauge.
2. put on the adapter.
3. fasten the screw firmly.

6



1. put on handle wheel.
2. fasten grub screw firmly.
3. put cap back on handle wheel