

PD150

SCHOCK PREPARATION STATION

CRISTADUR®



INCLUDED ACCESSORIES



INSERT CLIPS

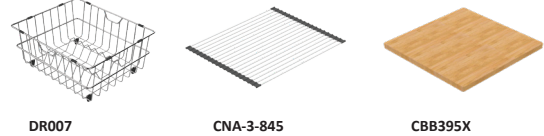
629858

629063

629061

629137

OPTIONAL ACCESSORIES

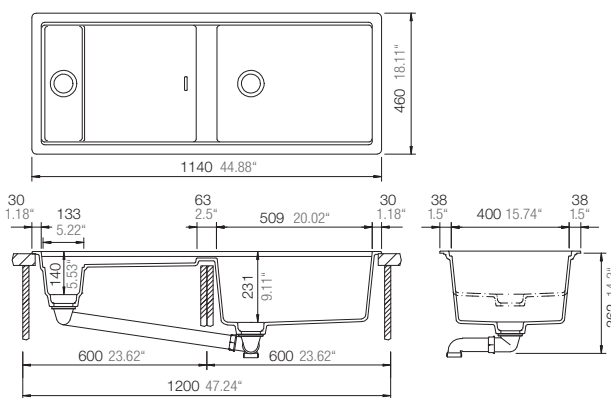


DR007

CNA-3-845

CBB395X

DIMENSIONS



SPECIFICATIONS

Description	Single Bowl Inset / Undermount
Overall Sink Size	L1140mm x W460mm x D140mm(S) / 231mm(L)
Bowl Dimensions	L509mm x W400 x D231mm L133mm x W38mm x D140mm
Bowl Radius	25mm
Technic	Granite Sink
Material	Granite - Cristadur

INSTALLATION

Fixings	Inset clips supplied
Template	N/A
Min Cabinet Size	500mm
Tap Holes	NTH (can be drilled)

PLUMBING

Waste Fittings	2 x (90mm x 2") basket waste included
Overflow	Included

PACKAGING

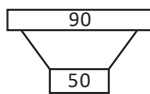
Net Weight	26kg
Carton Size	1320mm x 580mm x 320mm
Pack QTY	1

SURFACE FINISH



SILKY TEXTURE

WASTE KIT



MATERIAL



CRISTADUR®

INSTALLATION OPTIONS



INSET



UNDER MOUNT

AVAILABLE IN



PD150W (POLARIS)



PD150B (MAGMA)



PD150S (STONE)