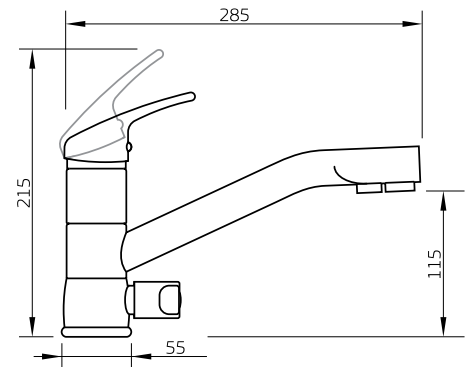


ESR2 Filter



TRIPLA T2

**GENERAL INFO**

**DESIGNED FOR RAINWATER SUPPLIES**

**Undersink UV Water Filter System With Tripla T2 3-Way Mixer Tap**

The Puretec ESR2-T2 systems incorporates Puretec Radfire's ultraviolet technology and Tripla's triple-action tap all-in-one system. This system is designed to kill 99.9% of bacteria in untreated water supplies. The Tripla mixer tap gives you hot, cold, filtered/or rainwater water, all from just one mixer. There's absolutely no mixing of filtered and unfiltered water.

**SPECIFICATIONS**

Model:	<b>ESR2-T2</b>
Mixer Tap Style:	<b>3-Way Mixer Tap</b>
Mixer Tap Model	<b>TRIPLA-T2</b>
WELS 4 Star Rated	<b>7.5 Litres/Minute</b>
Mixer Tap WaterMark	<b>Cert No. 23033 AS/NZ 3718:2005</b>
Outlets:	<b>Hot/Cold &amp; Separately Filtered</b>
Replacement parts and cartridges:	
Sediment Removal	<b>PL051</b>
Taste & Odour Removal	<b>MC011-S</b>
Lamp	<b>1 x Puretec RL2</b>
Maximum Temperature:	<b>52°C</b>
Maximum Pressure:	<b>500** kPa</b>
Tap Hole:	<b>33mm Diameter</b>
Filter WaterMark:	<b>AS/NZS 3497 Licence No. WM 74617 ApprovalMark</b>
Micron Rating:	<b>1 Micron*</b>
Warranty:	<b>6 years^</b>

**FEATURES & BENEFITS**

- 3-in-1 tap design - no mixing of filtered or unfiltered water.
- Hot, cold, filtered/or rainwater water all from just one mixer.
- Turns your rainwater into pure, safe, delicious and healthy drinking water anytime!
- Specifically designed to kill harmful microorganisms in untreated water supplies.
- Uses Puretec Radfire™ ultraviolet technology to kill 99.9% of bacteria - eco-friendly and does not use chemicals.
- Removes sediment, dirt, rust, bad taste and odour. Silver impregnated to prevent bacterial growth.
- WaterMark approved.



*Important Note: Use only genuine Puretec replacement cartridge. \*Micron rating is nominal, PL051 is 5 micron, MC011-S is 1 micron. ^Tripla Tapware Warranty is 1 year parts and labour, plus 5 years parts only. Puretec UV Water Filter Systems Warranty is 1 year parts and labour, plus 9 years parts only and applies to Puretec Systems when used in conjunction with a Puretec filter cartridge. Excludes cartridges. \*\*Where line pressure exceeds 500 kPa, an approved pressure limiting device must be installed to comply with Australian & New Zealand Plumbing Standards. (Ref. AS/NZS 3500.1:2021, Clause 3.3.4).*

**ADDITIONAL INFORMATION**

**Traditional compact design**

A traditional compact design, the Tripla T2 gives you hot, cold, filtered/ or rainwater water, all from just one mixer. The main handle controls hot and cold mains water, and the lever under the spout controls filtered mains/tank water. Just turn it clockwise and your filtered water is delivered via a separate tube and outlet, inside the mixer itself. There's absolutely no mixing of filtered and unfiltered water.

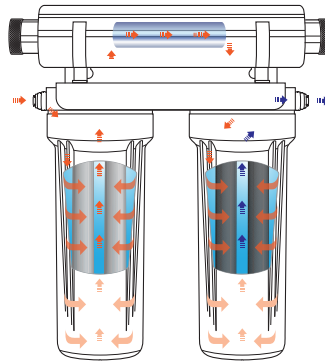
**Quick, Easy Undersink Installation**

The Ecotrol™ ESR2 filter system easily fits under your existing kitchen bench. All plumbing fittings are included for easy installation.

**Longer Filter Life**

The Ecotrol™ ESR2 incorporates Puretec's long life filter technology, so you can go longer between filter replacements.

**ESR2 FILTRATION TECHNOLOGY**



**Stage 1**

- Removes the finest particles
- Clarifies the water
- Removes sediment, rust, sand, silt & algae

**Stage 2**

- Kills harmful microorganisms including E.coli, Cryptosporidium and Giardia cysts

**Stage 3**

- Physically filters harmful bacteria
- Silver impregnated to prevent bacterial growth
- Removes bad taste and odour