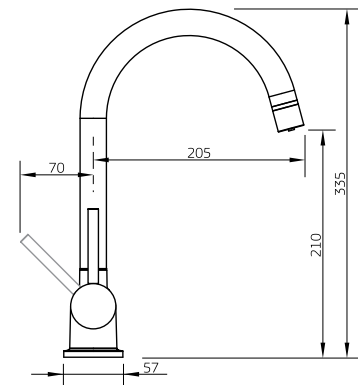


ESR2 Filter



TRIPLA T4

GENERAL INFO

DESIGNED FOR RAINWATER SUPPLIES

Undersink UV Water Filter System With Tripla T4 3-Way Mixer Tap

The Puretec ESR2-T4 systems incorporates Puretec Radfire's ultraviolet technology and Tripla's triple-action tap all-in-one system. This system is designed to kill to kill 99.9% of bacteria in untreated water supplies. The Tripla mixer tap gives you hot, cold, filtered/or rainwater water, all from just one mixer. There's absolutely no mixing of filtered and unfiltered water.

SPECIFICATIONS

Model:	ESR2-T4
Mixer Tap Style:	3-Way Mixer Tap
Mixer Tap Model	TRIPLA-T4
WELS 5 Star Rated	5 Litres/Minute
Mixer Tap WaterMark	Cert No. 23033 AS/NZ 3718:2005
Outlets:	Hot/Cold & Separately Filtered
Replacement parts and cartridges:	
Sediment Removal	PL051
Taste & Odour Removal	MC011-S
Lamp	1 x Puretec RL2
Maximum Temperature:	52°C
Maximum Pressure:	500** kPa
Tap Hole:	33mm Diameter
Filter WaterMark:	AS/NZS 3497 Licence No. WM 74617 Pro-Switch Pty Ltd +Components
Micron Rating:	1 Micron*
Warranty:	6 years^

FEATURES & BENEFITS

- 3-in-1 tap design - no mixing of filtered or unfiltered water.
- Hot, cold, filtered/or rainwater water all from just one mixer.
- Turns your rainwater into pure, safe, delicious and healthy drinking water anytime!
- Specifically designed to kill harmful microorganisms in untreated water supplies.
- Uses Puretec Radfire™ ultraviolet technology to kill 99.9% of bacteria - eco-friendly and does not use chemicals.
- Removes sediment, dirt, rust, bad taste and odour. Silver impregnated to prevent bacterial growth.
- WaterMark approved.



*Important Note: Use only genuine Puretec replacement cartridge. *Micron rating is nominal, PL051 is 5 micron, MC011-S is 1 micron. ^Tripla Tapware Warranty is 1 year parts and labour, plus 5 years parts only. Puretec UV Water Filter Systems Warranty is 1 year parts and labour, plus 9 years parts only and applies to Puretec Systems when used in conjunction with a Puretec filter cartridge. Excludes cartridges. **Where line pressure exceeds 500 kPa, an approved pressure limiting device must be installed to comply with Australian & New Zealand Plumbing Standards. (Ref: AS/NZS 3500.1:2021, Clause 3.3.4).*

For more information contact your local stockist or visit us at puretecgroupp.com
Australia **1300 140 140** | New Zealand **0800 130 140**

ADDITIONAL INFORMATION

Timeless Styling - Sleek Modern Tap

With a striking yet timeless styling, the Tripla T4 has been expertly crafted, providing a sleek modern tap that will make a statement in your kitchen. As with all Puretec Tripla taps there is no mixing of filtered and unfiltered water.

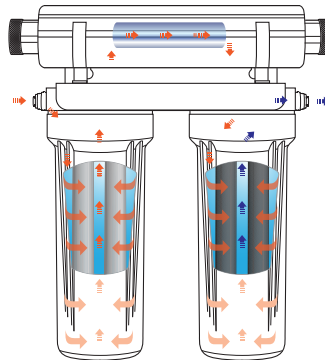
Quick, Easy Undersink Installation

The Ecotrol™ ESR2 filter system easily fits under your existing kitchen bench. All plumbing fittings are included for easy installation.

Longer Filter Life

The Ecotrol™ ESR2 incorporates Puretec's long life filter technology, so you can go longer between filter replacements.

ESR2 FILTRATION TECHNOLOGY



Stage 1

- Removes the finest particles
- Clarifies the water
- Removes sediment, rust, sand, silt & algae

Stage 2

- Kills harmful microorganisms including E.coli, Cryptosporidium and Giardia cysts

Stage 3

- Physically filters harmful bacteria
- Silver impregnated to prevent bacterial growth
- Removes bad taste and odour