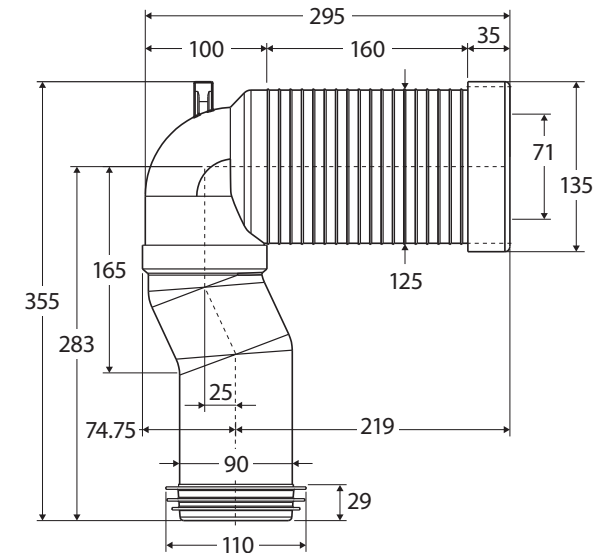


S-Trap Standard Pipe FOR TOILET PANS

Features

- Converts waste connection from P-Trap to S-Trap
- S-Trap is adjustable: 90mm to 160mm
- Wall-to-waste set out: minimum 90mm
- Ribbed cut lines allow for adjustments to suit waste set-out distance
- Designed for all back-to-wall toilet pans

Please Note: The set out is subject to the pan being used.



Available in



Gloss White
X011G

We aim to ensure that specifications are correct at the time of publication. All measurements are shown in millimetres. Always use measurements of actual product received for final specification as the technical drawing may contain differences. Due to printing limitations, physical colour may vary from the image shown. Fienza reserves the right to make modifications without prior notice.