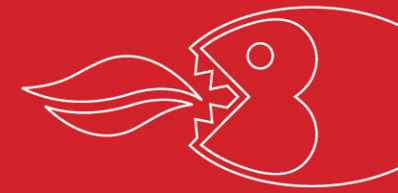


BAM28TK-2

28L Built-In Microwave



Product Features

- 8 auto cooking menus
- 5 power levels
- Digital control
- Push-in rotary knob selector
- White LED display
- 28 litre capacity
- 900W microwave power
- Speed cooking
- Multi-stage function
- 30 second quick start
- Stainless steel cavity & trim
- Integrated control panel
- Defrost (by weight / time)
- 95 minute kitchen timer
- Child safety lock

Standard Accessories

- Glass turntable – 315 mm

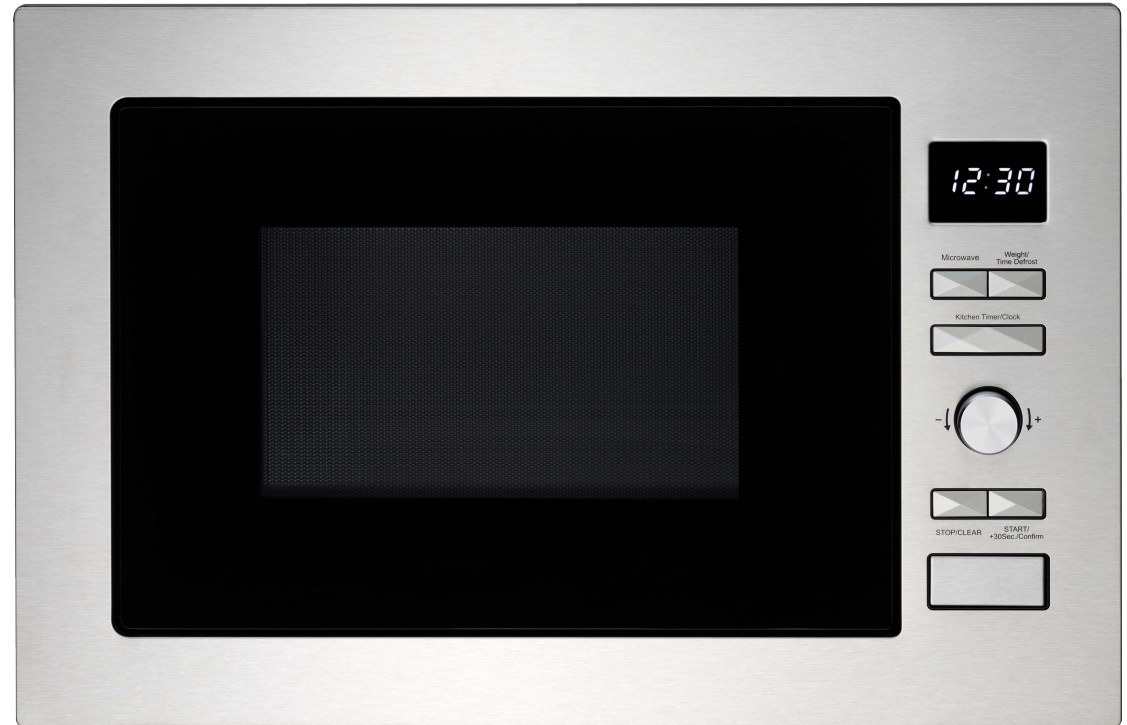
Power

- Total: 1450W (6.04amp)
- Fitted with 10 amp plug + lead

Product Dimensions

- 595mm (W) x 388mm (H) x 400mm (D)
- including trim kit

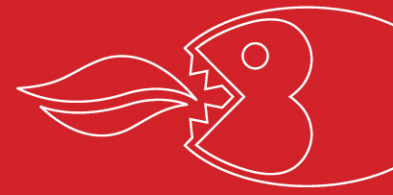
2 Year Warranty



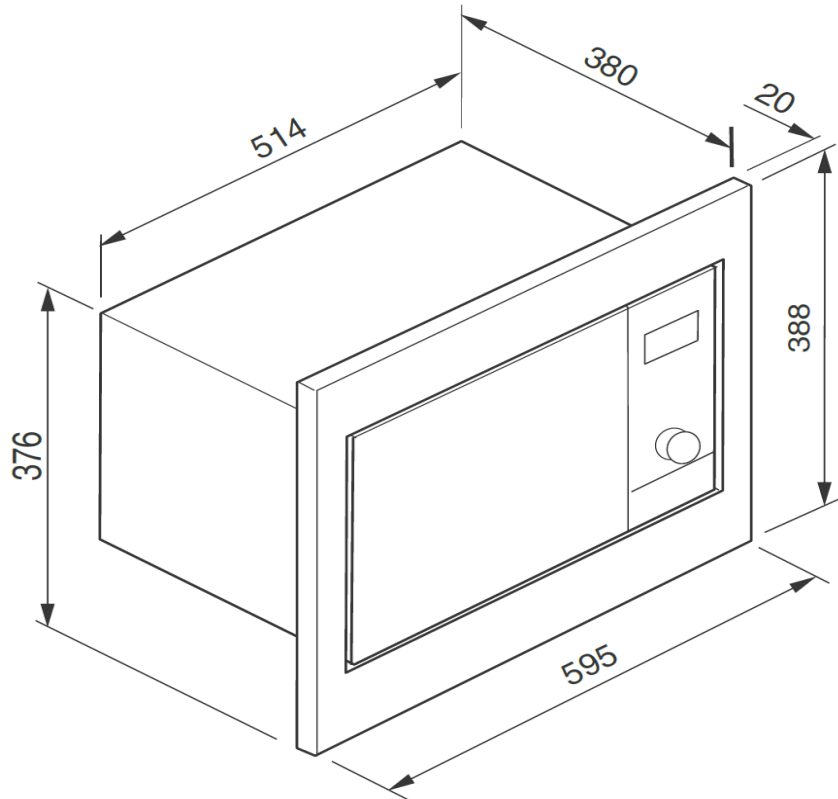
Version: 20200820

BAM28TK-2

28L Built-In Microwave

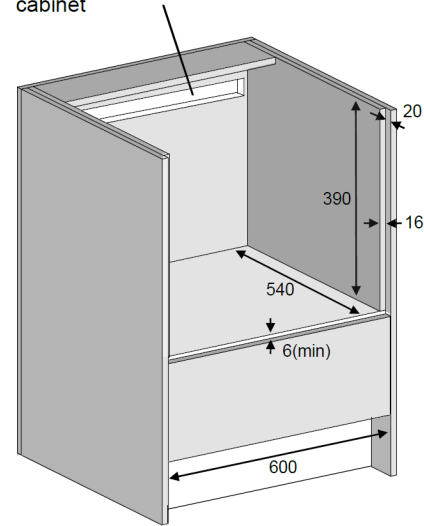


Product Dimensions



Cabinet Installation

Ventilation: Option 1
Cutout 45mm x 500mm top rear of cabinet



Ventilation: Option 2
140mm x cabinet width vented down into kick panel space

