

# MARQUIS

# Cove

Cove 1 600mm centre basin

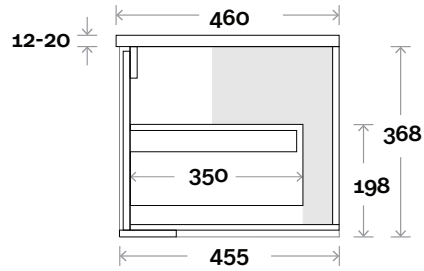
**Top Thickness**  
Caesarstone: 20mm  
Dekton: 12mm  
Symphony: 20mm

**Note:**  
• Waste centre: 300mm std

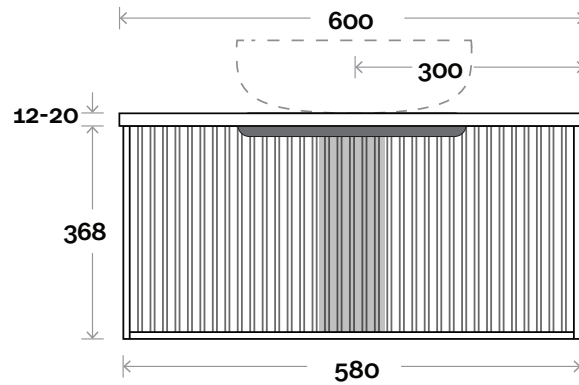


**Plumbing allowance**

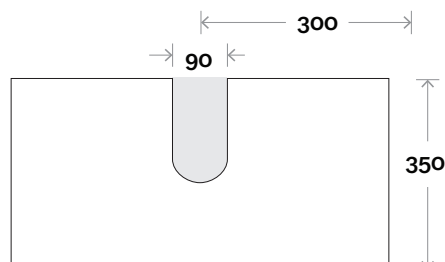
## Profile



## Configuration



## Top Drawer Box



# MARQUIS

# Cove

Cove 2 750mm centre basin

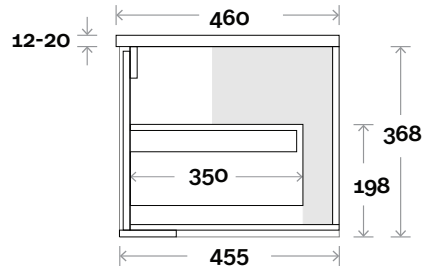
**Top Thickness**  
Caesarstone: 20mm  
Dekton: 12mm  
Symphony: 20mm

**Note:**  
• Waste centre: 375mm std

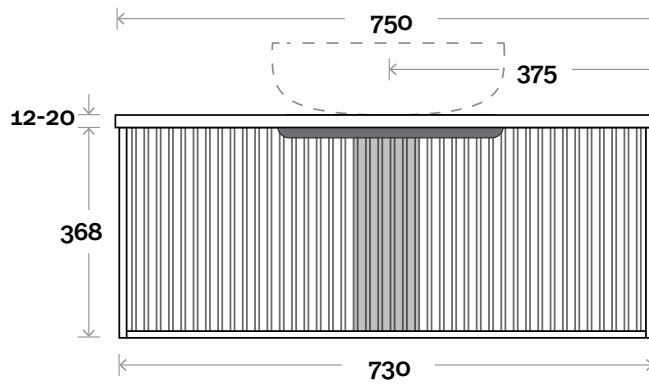


**Plumbing allowance**

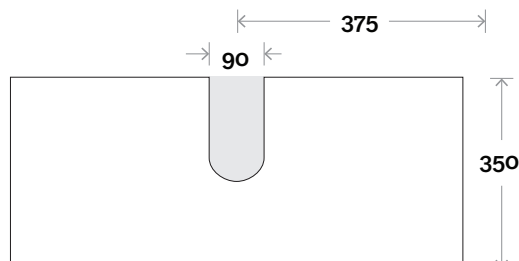
## Profile



## Configuration



## Top Drawer Box



# MARQUIS

# Cove

Cove 3 900mm centre basin

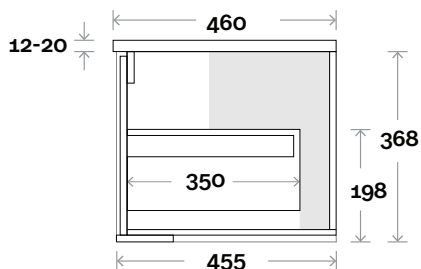
**Top Thickness**  
Caesarstone: 20mm  
Dekton: 12mm  
Symphony: 20mm

**Note:**  
• Waste centre: 450mm std

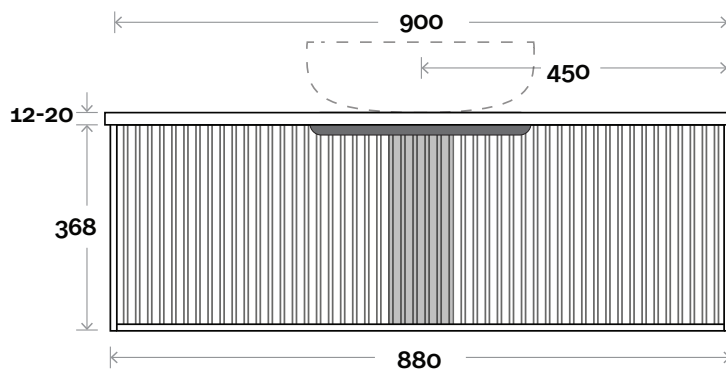


**Plumbing allowance**

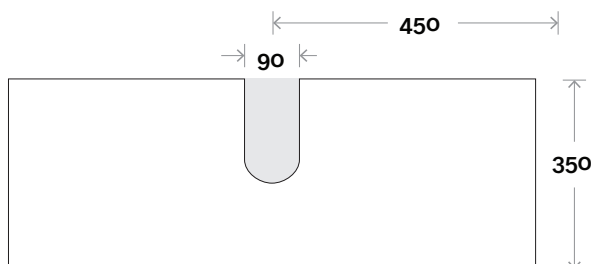
## Profile



## Configuration



## Top Drawer Box



# MARQUIS

# Cove

Cove 4 1200mm centre basin

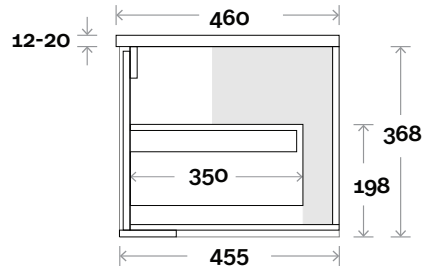
**Top Thickness**  
Caesarstone: 20mm  
Dekton: 12mm  
Symphony: 20mm

**Note:**  
• Waste centre: 600mm std

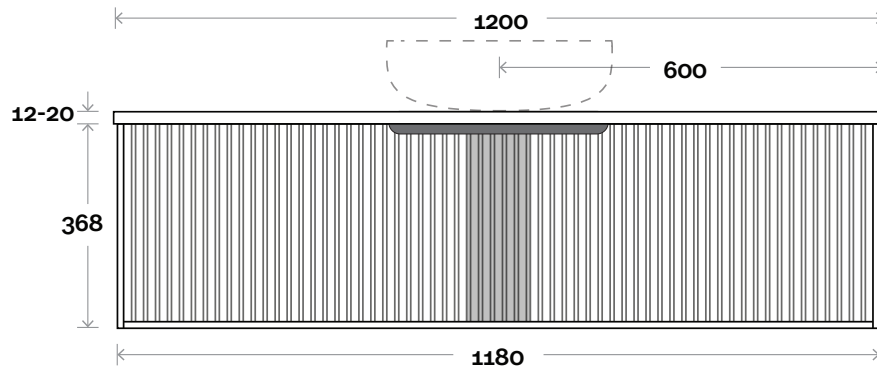


**Plumbing allowance**

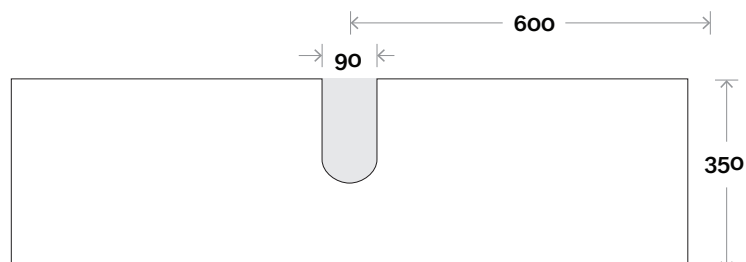
## Profile



## Configuration



## Top Drawer Box



# MARQUIS

# Cove

Cove 5 1200mm off centre basin

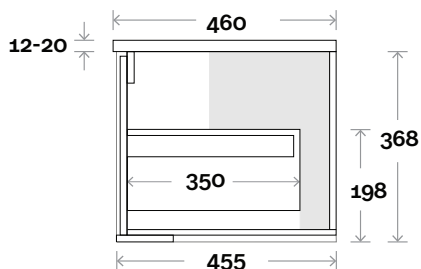
**Top Thickness**  
Caesarstone: 20mm  
Dekton: 12mm  
Symphony: 20mm

**Note:**  
• Waste centre: 300mm std  
• Left or Right hand Basin

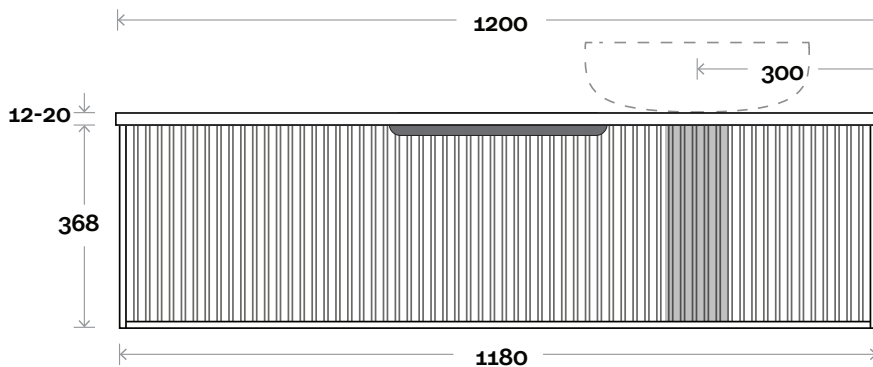


**Plumbing allowance**

## Profile



## Configuration



## Top Drawer Box



# MARQUIS

# Cove

Cove 6 1200mm double basin

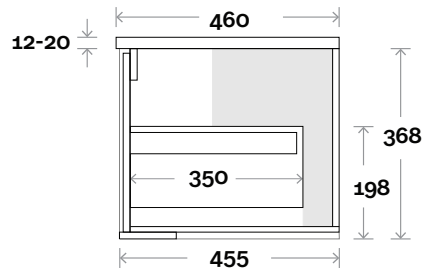
**Top Thickness**  
Caesarstone: 20mm  
Dekton: 12mm  
Symphony: 20mm

**Note:**  
• Waste centre: 300mm std

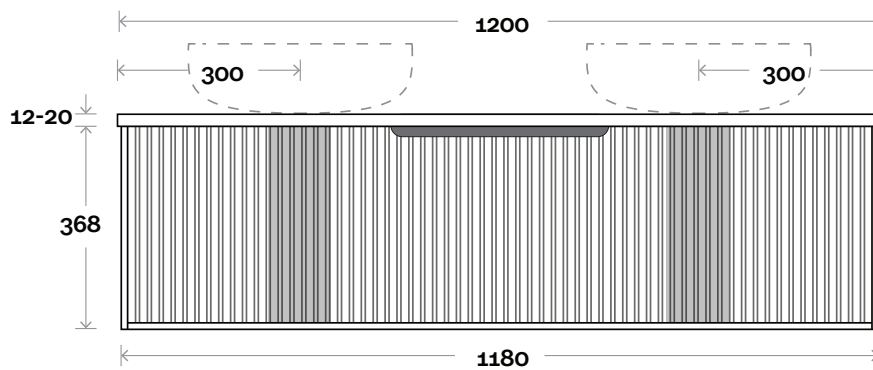


**Plumbing allowance**

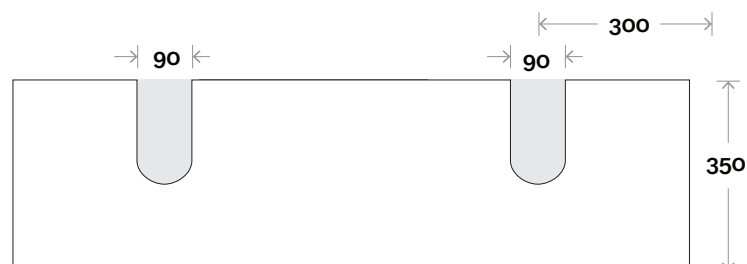
## Profile



## Configuration



## Top Drawer Box



# MARQUIS

# Cove

Cove 7 1500mm centre basin

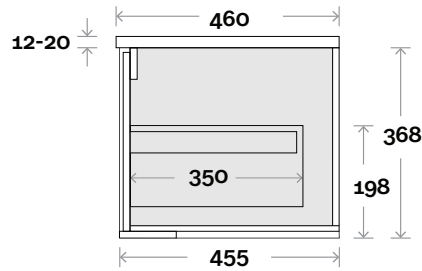
**Top Thickness**  
Caesarstone: 20mm  
Dekton: 12mm  
Symphony: 20mm

**Note:**  
• Waste centre: 750mm std

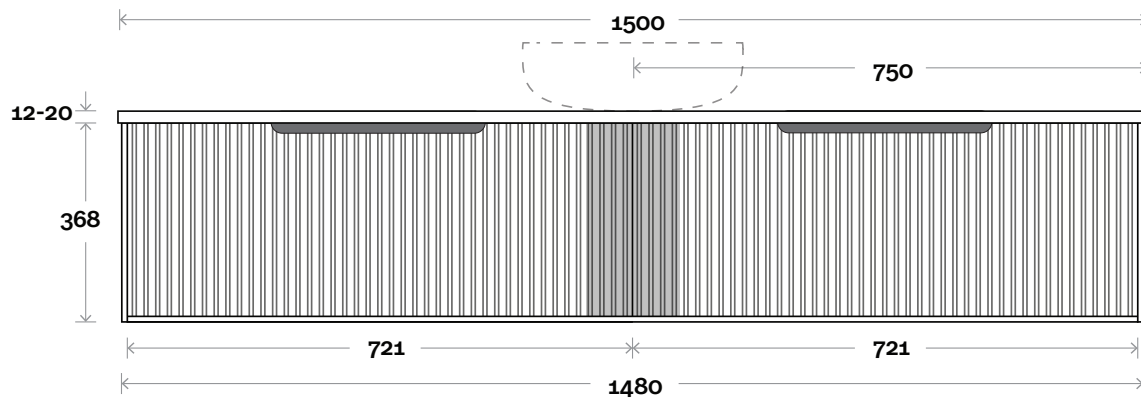


**Plumbing allowance**

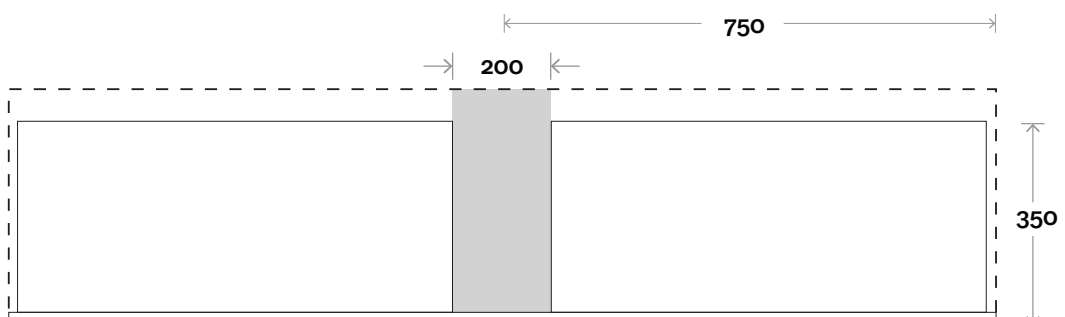
## Profile



## Configuration



## Top Drawer Box



# MARQUIS

# Cove

Cove 8 1500mm off centre basin

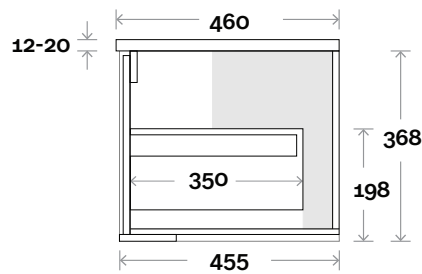
**Top Thickness**  
Caesarstone: 20mm  
Dekton: 12mm  
Symphony: 20mm

**Note:**  
• Waste centre: 375mm std  
• Left or Right hand Basin

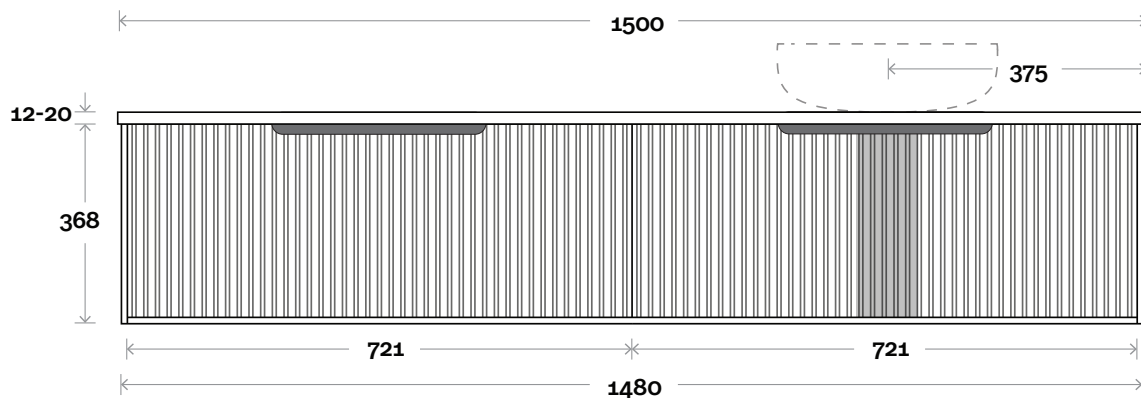


**Plumbing allowance**

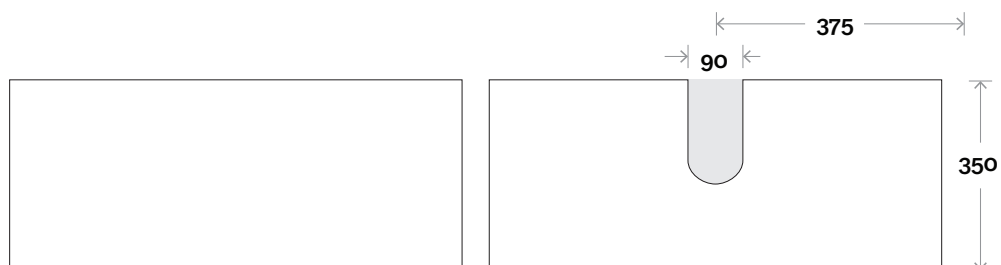
## Profile



## Configuration



## Top Drawer Box





# MARQUIS

# Cove

Cove 9 1500mm double basin

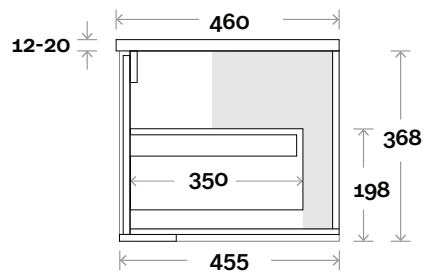
**Top Thickness**  
Caesarstone: 20mm  
Dekton: 12mm  
Symphony: 20mm

**Note:**  
• Waste centre: 375mm std

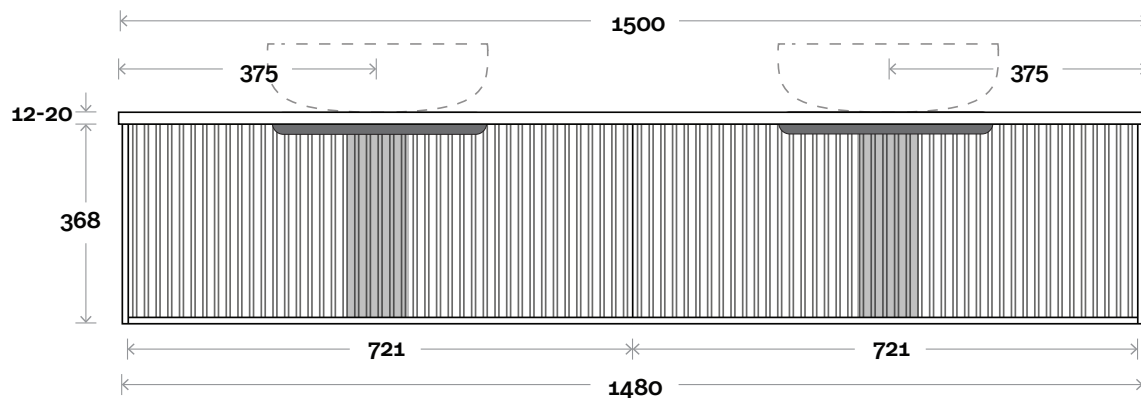


**Plumbing allowance**

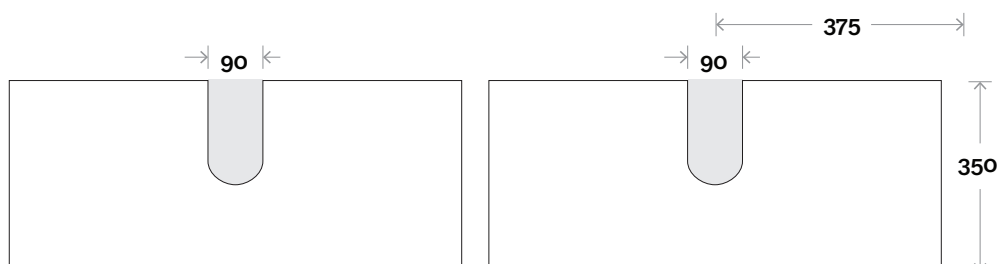
## Profile



## Configuration



## Top Drawer Box



All measurements are in 'mm' and are approximate and to be used as a guide only. Installation preparations are not recommended without product onsite.

# MARQUIS

# Cove

Cove 10 1800mm centre basin

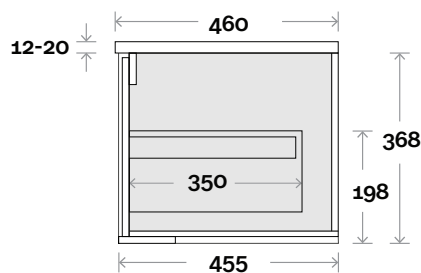
**Top Thickness**  
Caesarstone: 20mm  
Dekton: 12mm  
Symphony: 20mm

**Note:**  
• Waste centre: 900mm std

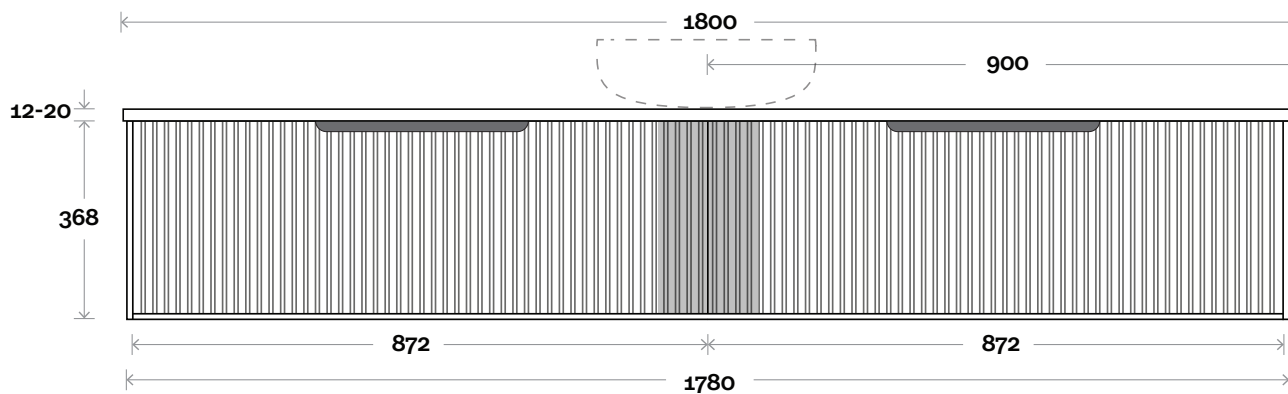


**Plumbing allowance**

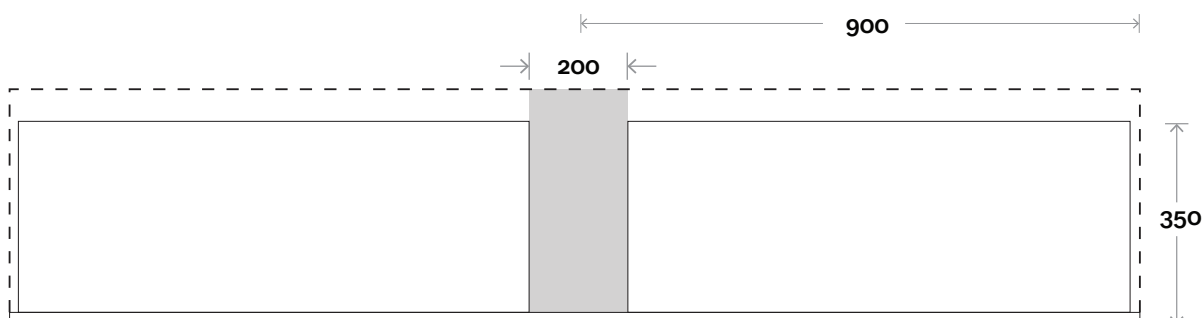
## Profile



## Configuration



## Top Drawer Box



All measurements are in 'mm' and are approximate and to be used as a guide only. Installation preparations are not recommended without product onsite.

# MARQUIS

# Cove

Cove 11 1800mm off centre basin

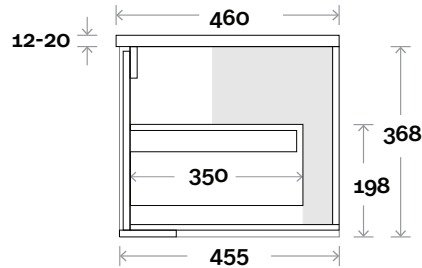
**Top Thickness**  
Caesarstone: 20mm  
Dekton: 12mm  
Symphony: 20mm

**Note:**  
• Waste centre: 450mm std  
• Left or Right hand Basin

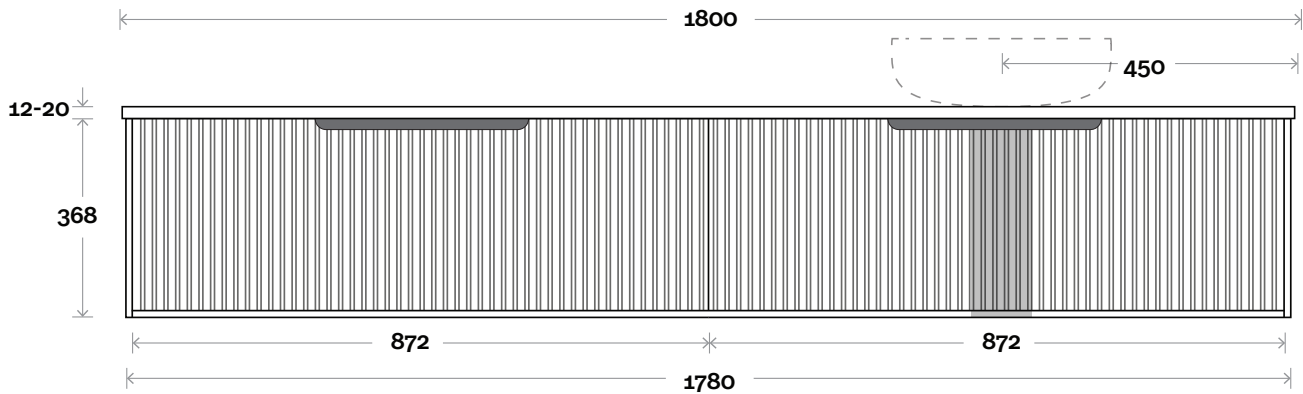


**Plumbing allowance**

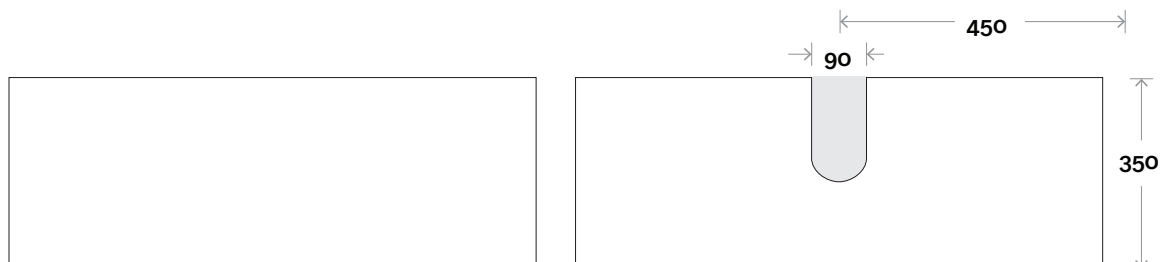
## Profile



## Configuration



## Top Drawer Box



All measurements are in 'mm' and are approximate and to be used as a guide only. Installation preparations are not recommended without product onsite.

# MARQUIS

# Cove

Cove 12 1800mm double basin

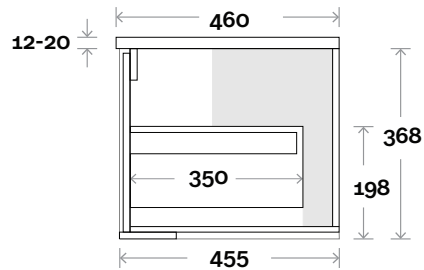
**Top Thickness**  
Caesarstone: 20mm  
Dekton: 12mm  
Symphony: 20mm

**Note:**  
• Waste centre: 450mm std

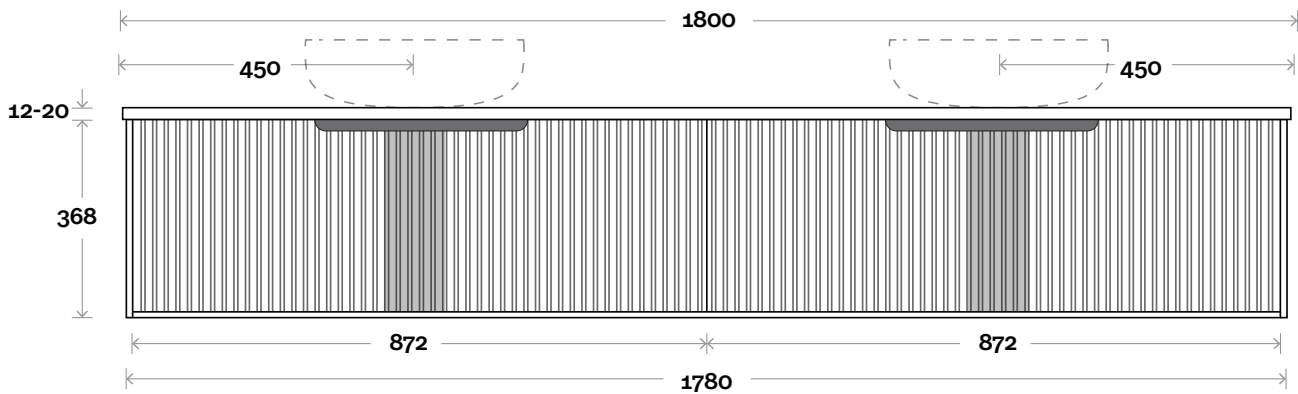


**Plumbing allowance**

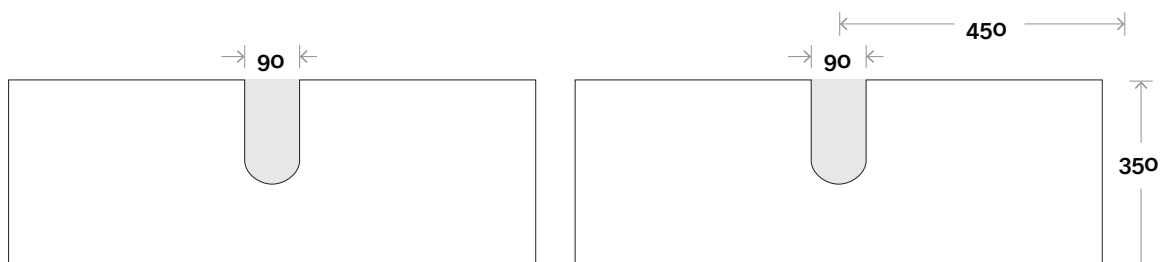
## Profile



## Configuration



## Top Drawer Box



All measurements are in 'mm' and are approximate and to be used as a guide only. Installation preparations are not recommended without product onsite.