

MARQUIS

Pier

Pier 1 600mm centre basin

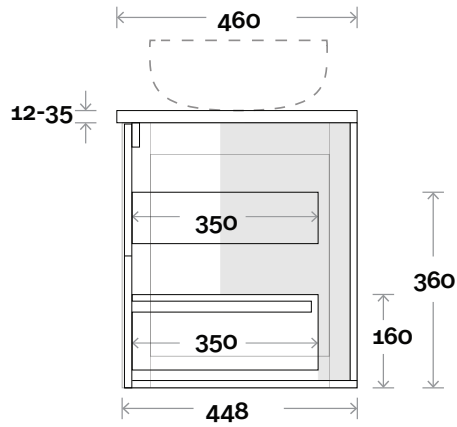
Top Thickness
Silestone: 20mm
Caesarstone: 20mm
Dekton: 12mm
Symphony: 20mm
Timber: 30-35mm
(Above counter only)

Note:
• Waste centre: 300mm std
(may vary depending on basin)

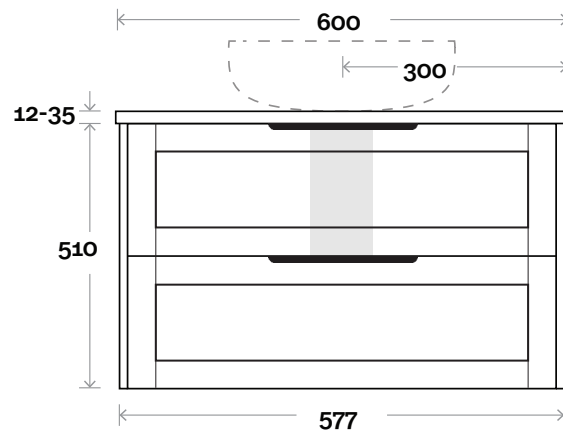


Plumbing allowance

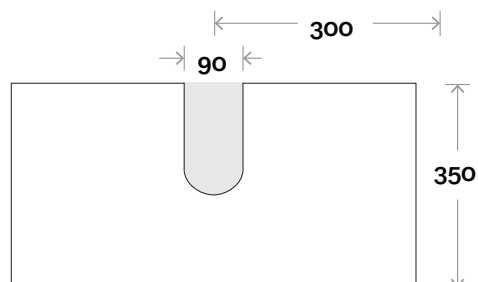
Profile



Configuration



Top Drawer Box



MARQUIS

Pier

Pier 2 750mm centre basin

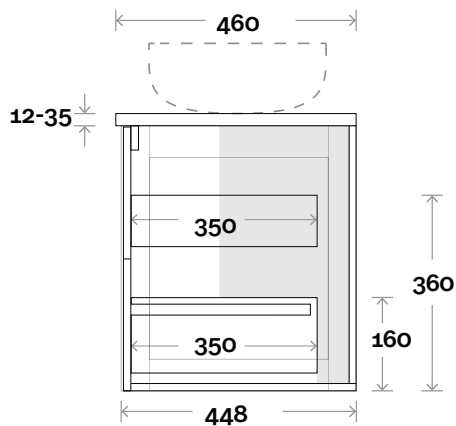
Top Thickness
Silestone: 20mm
Caesarstone: 20mm
Dekton: 12mm
Symphony: 20mm
Timber: 30-35mm
(Above counter only)

Note:
• Waste centre: 375mm std
(may vary depending on basin)

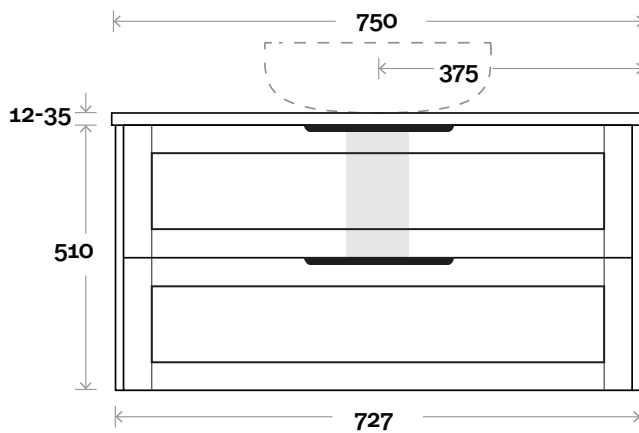


Plumbing allowance

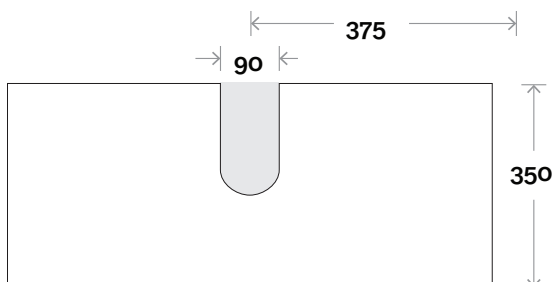
Profile



Configuration



Top Drawer Box



MARQUIS

Pier

Pier 3 900mm centre basin

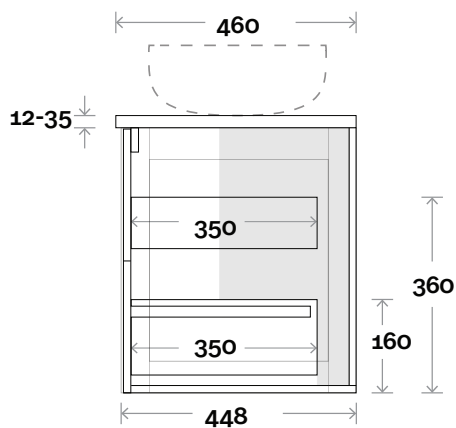
Top Thickness
Silestone: 20mm
Caesarstone: 20mm
Dekton: 12mm
Symphony: 20mm
Timber: 30-35mm
(Above counter only)

Note:
• Waste centre: 450mm std
(may vary depending on basin)

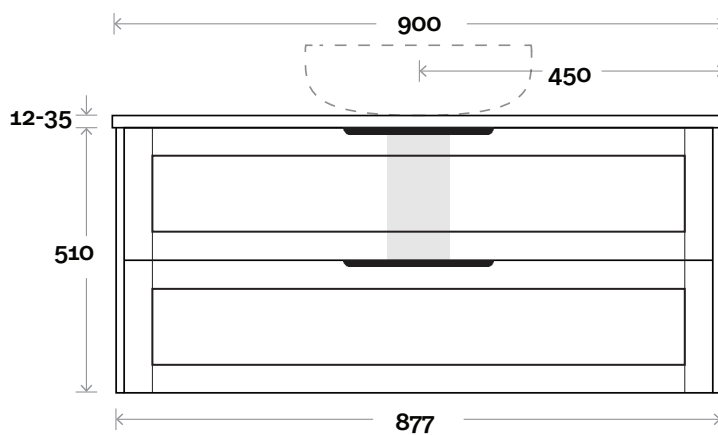


Plumbing allowance

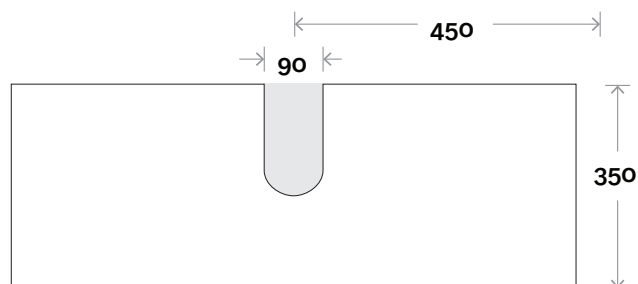
Profile



Configuration



Top Drawer Box



MARQUIS

Pier

Pier 4 1200mm centre basin

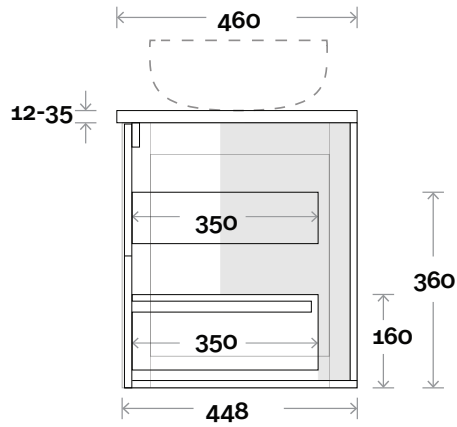
Top Thickness
Silestone: 20mm
Caesarstone: 20mm
Dekton: 12mm
Symphony: 20mm
Timber: 30-35mm
(Above counter only)

Note:
• Waste centre: 600mm std
(may vary depending on basin)

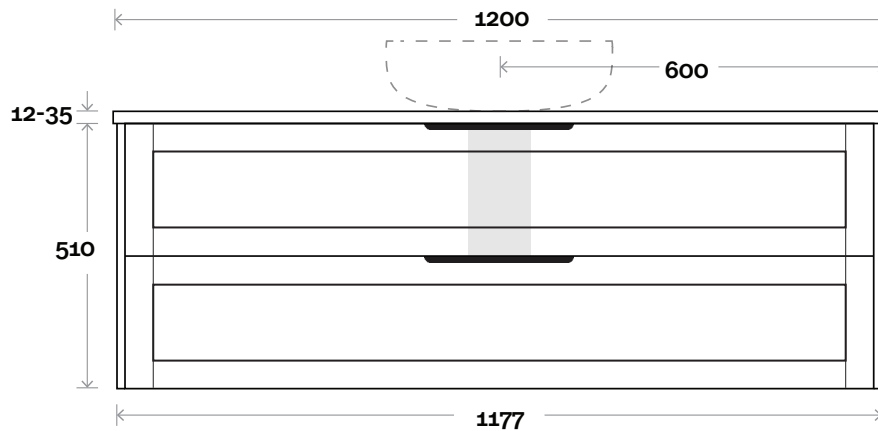


Plumbing allowance

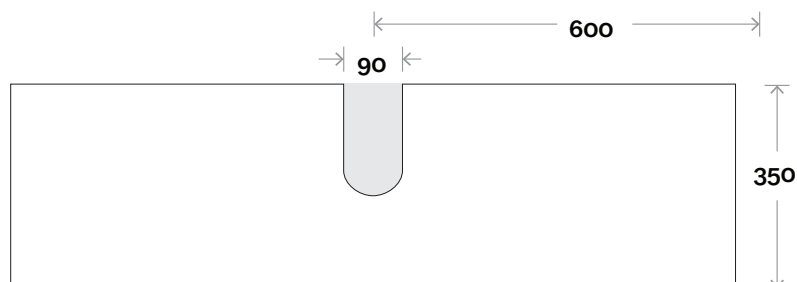
Profile



Configuration



Top Drawer Box



All measurements are in 'mm' and are approximate and to be used as a guide only. Installation preparations are not recommended without product onsite.

MARQUIS

Pier

Pier 5 1200mm off centre basin

Top Thickness
Silestone: 20mm
Caesarstone: 20mm
Dekton: 12mm
Symphony: 20mm
Timber: 30-35mm
(Above counter only)

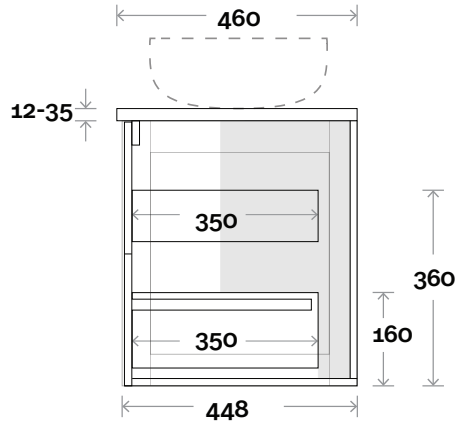
Note:

- Waste centre: 300mm std
(may vary depending on basin)
- Left or Right hand basin

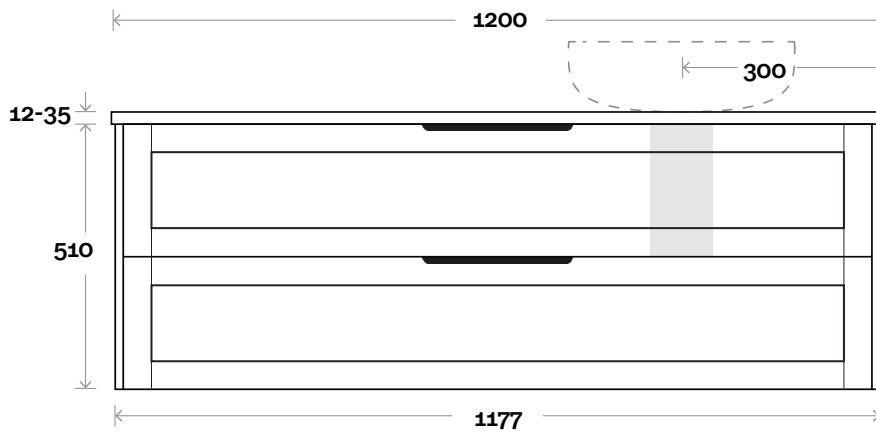


Plumbing allowance

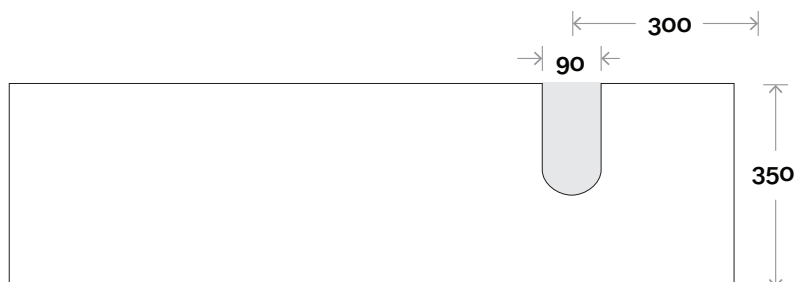
Profile



Configuration



Top Drawer Box



MARQUIS

Pier

Pier 6 1200mm double basin

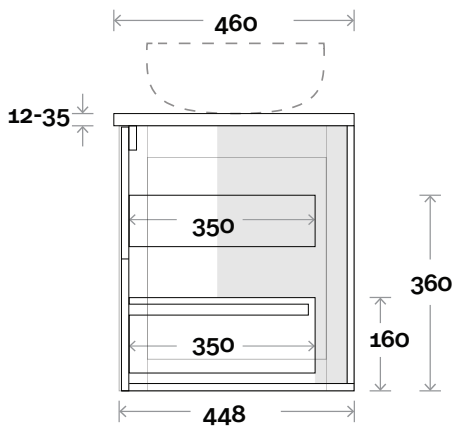
Top Thickness
Silestone: 20mm
Caesarstone: 20mm
Dekton: 12mm
Symphony: 20mm
Timber: 30-35mm
(Above counter only)

Note:
• Waste centre: 300mm std
(may vary depending on basin)

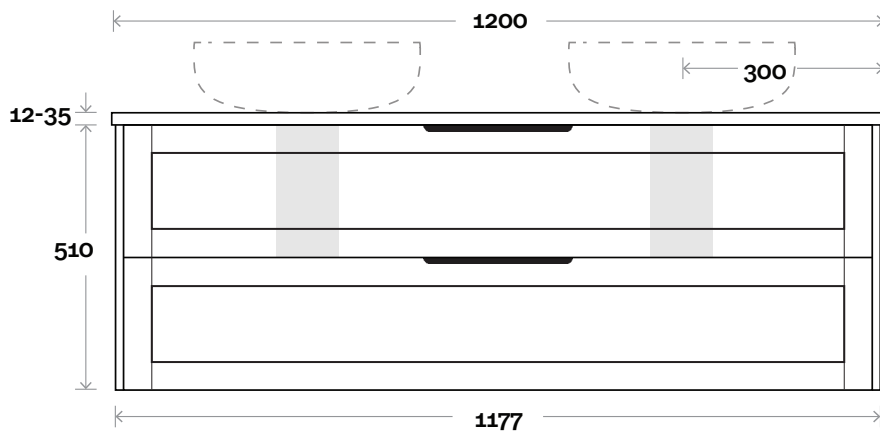


Plumbing allowance

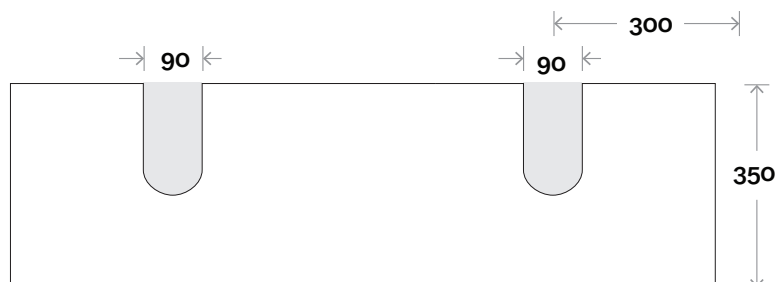
Profile



Configuration



Top Drawer Box



MARQUIS

Pier

Pier 7 1500mm off centre basin

Top Thickness
Silestone: 20mm
Caesarstone: 20mm
Dekton: 12mm
Symphony: 20mm
Timber: 30-35mm
(Above counter only)

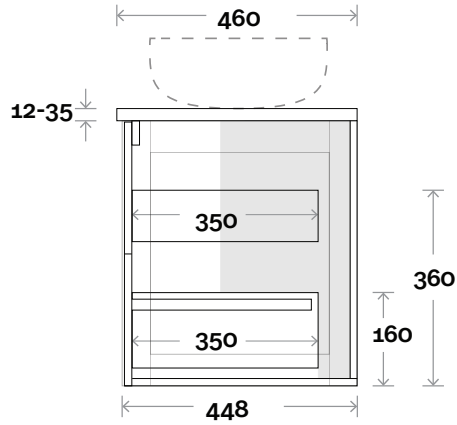
Note:

- Waste centre: 375mm std
(may vary depending on basin)
- Left or Right hand basin

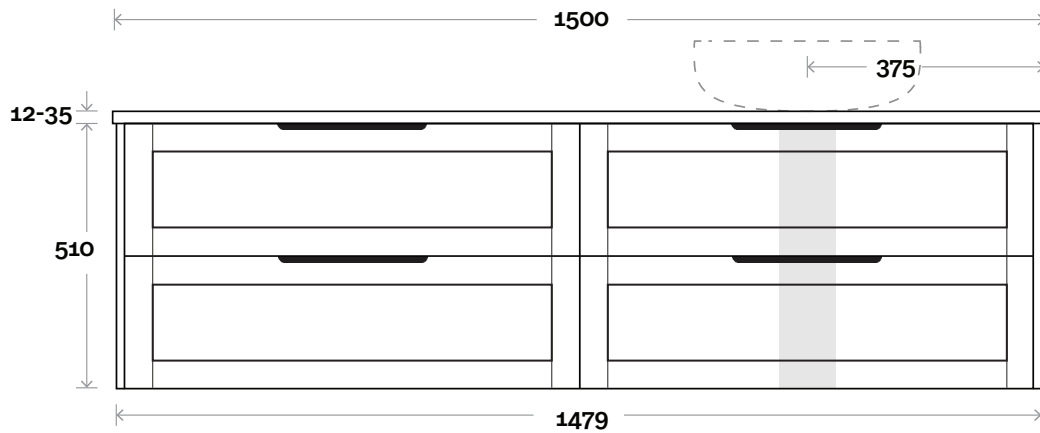


Plumbing allowance

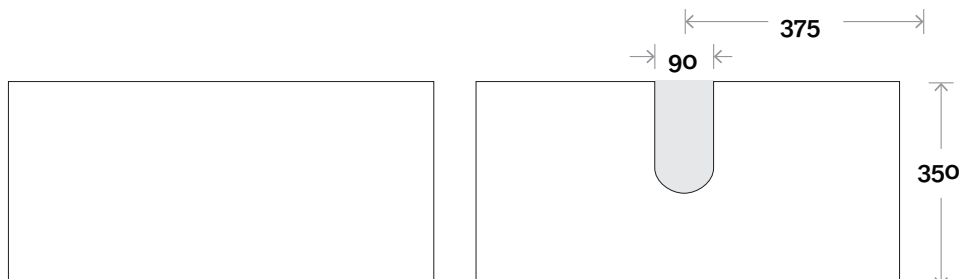
Profile



Configuration



Top Drawer Box



MARQUIS

Pier

Pier 8 1500mm double basin

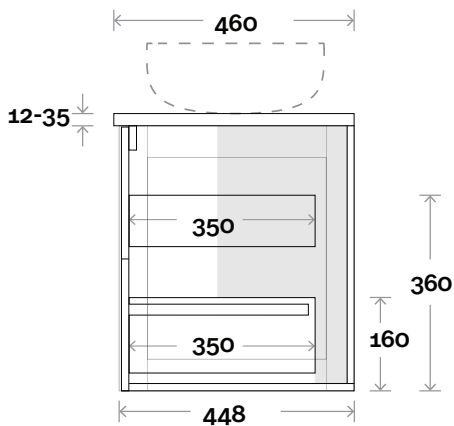
Top Thickness
Silestone: 20mm
Caesarstone: 20mm
Dekton: 12mm
Symphony: 20mm
Timber: 30-35mm
(Above counter only)

Note:
• Waste centre: 375mm std
(may vary depending on basin)

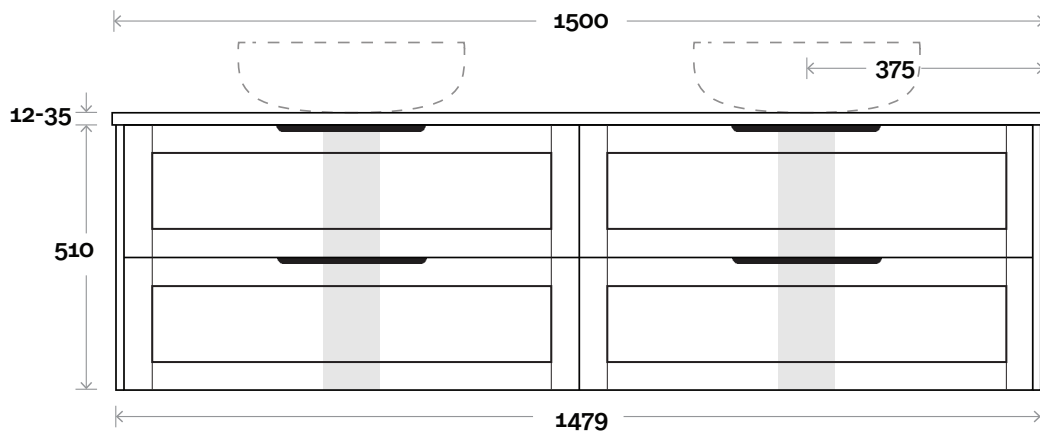


Plumbing allowance

Profile



Configuration



Top Drawer Box



MARQUIS

Pier

Pier 9 1800mm off centre basin

Top Thickness
Silestone: 20mm
Caesarstone: 20mm
Dekton: 12mm
Symphony: 20mm
Timber: 30-35mm
(Above counter only)

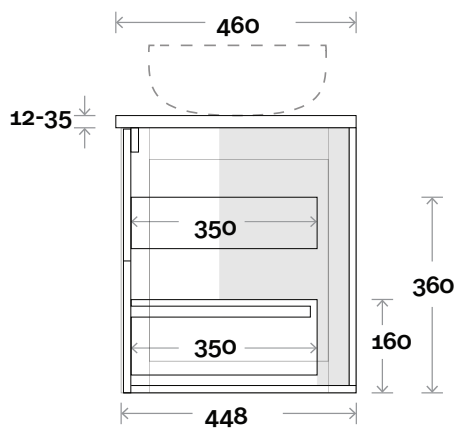
Note:

• Waste centre: 450mm std
(may vary depending on basin)

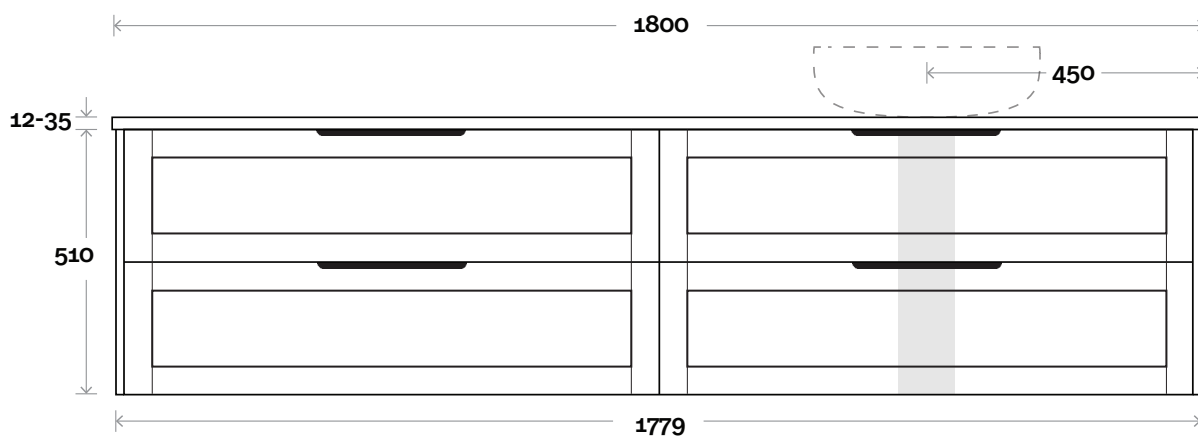
• Left or Right hand basin

 Plumbing allowance

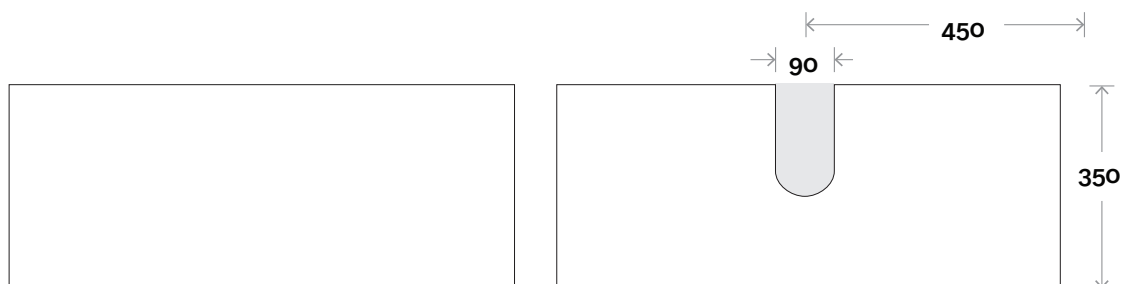
Profile



Configuration



Top Drawer Box



MARQUIS

Pier

Pier 10 1800mm double basin

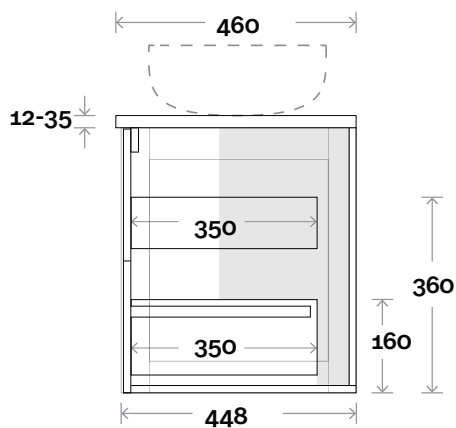
Top Thickness
Silestone: 20mm
Caesarstone: 20mm
Dekton: 12mm
Symphony: 20mm
Timber: 30-35mm
(Above counter only)

Note:
• Waste centre: 450mm std
(may vary depending on basin)

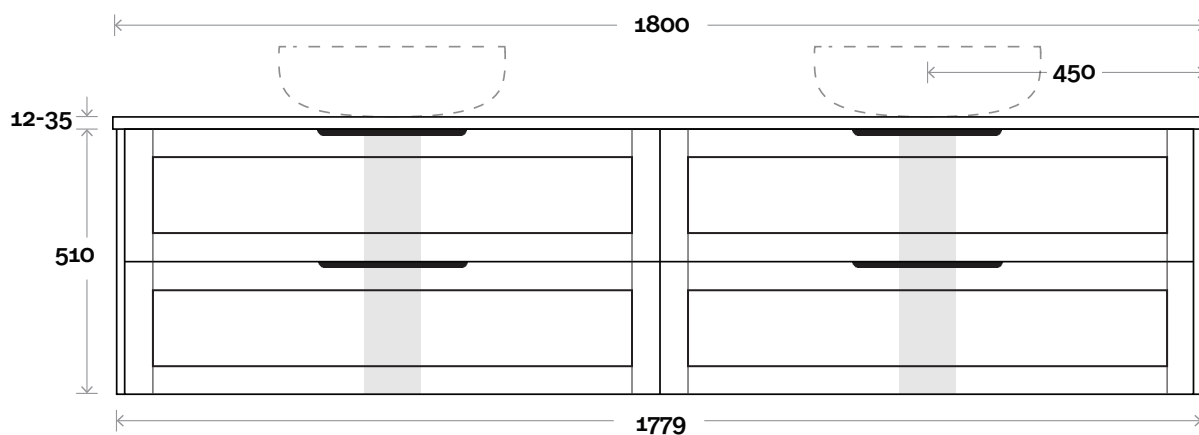


Plumbing allowance

Profile



Configuration



Top Drawer Box

