

# MZ0402

## HAND SHOWER RAIL



# meir®

### FEATURES

- Refer to the Meir website for warranty terms & conditions.
- Flow rate 6 L p/m
- European components and cartridge
- Solid brass construction
- Box Weight 2 kg
- 68mm long 1/2" threaded adapter included

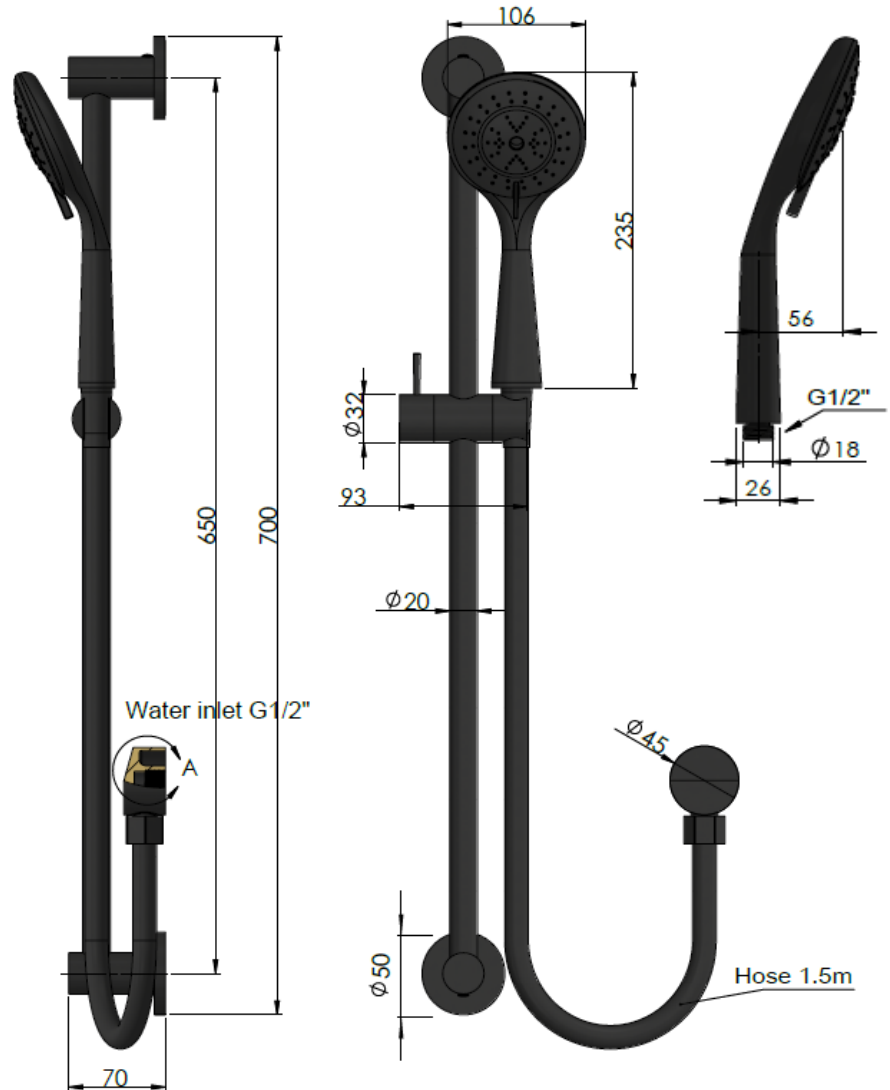
### CARE

- Do not install tapware using any form of acetone silicones.
- Do not apply physical items (such as tools) directly to product.
- Never use house-hold or commercial detergents, citrus based cleaners, or abrasive cleaners.
- Clean using a mild washing soap solution rinsed, and dry with a soft cloth.
- Check for any product defects before installation.
- Refer to the installation manual for correct installation.

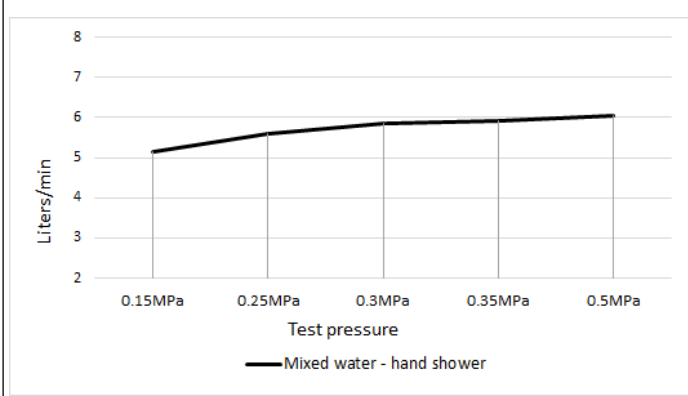
### CREDENTIALS

- Watermark AS/NZS3718WMKA25013
- Wels Rated 3 Star

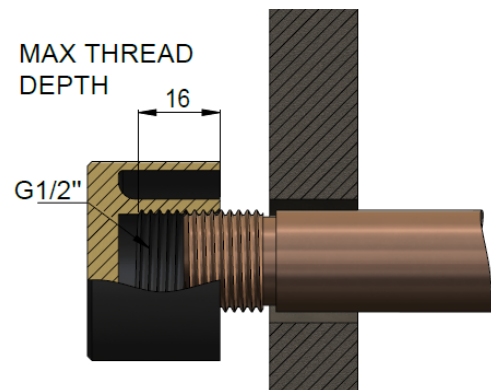
### SPECIFICATIONS



### FLOW RATE GRAPH



### TOLERANCES

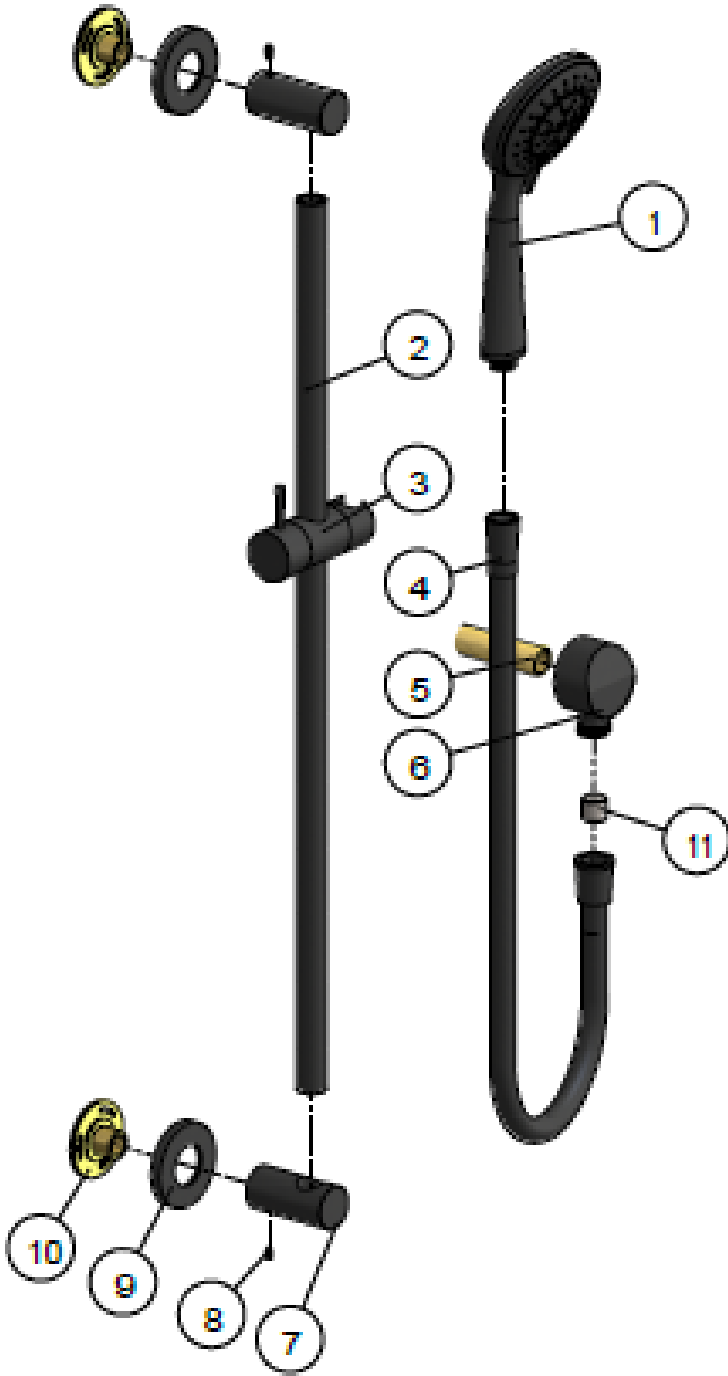


# MZ0402

## HAND SHOWER RAIL

meir.®

### EXPLODED VIEW



No	Part Name
1	Hand Shower
2	Shower Rail
3	Shower Bracket
4	Shower Hose
5	Threaded Adapter
6	Elbow
7	Base
8	Screw
9	Back Plate
10	Mounting Base
11	Check Valve