

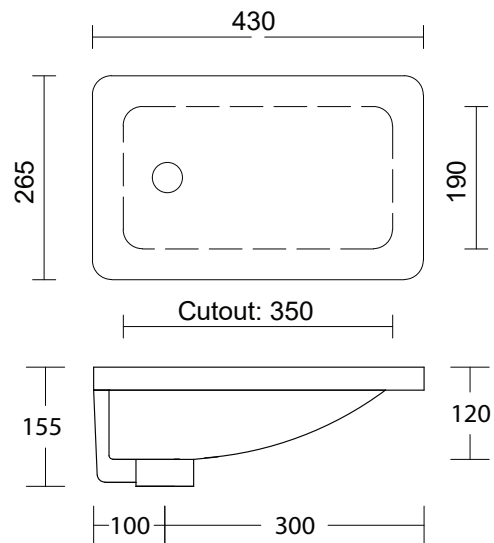
Mini Rectangle Under Counter

WG White Gloss
MRE-BS-425-WG-S

— Cutout
- - - Basin

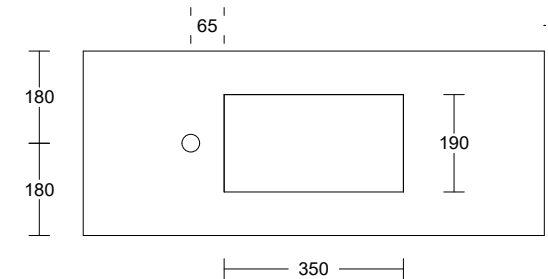


Under Counter Basin



Drawings

Basin reversible - waste hole available on left or right side



Cut Out Specifications

Note: Waste not included. Waste Size: 32mm. Overflow to: Side of Basin. Minimum Depth: 350mm (taphole must be offset).