

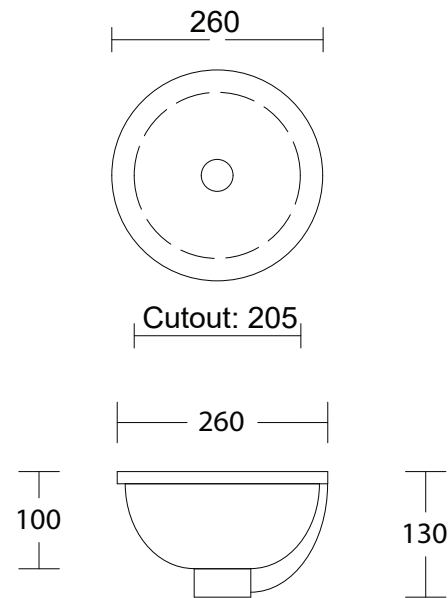
## Mini Round Under Counter

**WG** White Gloss  
MRO-BS-255-WG-S

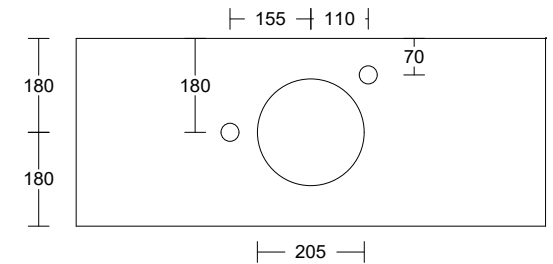


Under Counter Basin

——— Cutout  
- - - - - Basin



Drawings



Cut Out Specifications

**Note:** Waste not included. Waste Size: 32mm. Overflow to: Front of Basin. Minimum Depth: 375mm with taphole behind, 340mm without taphole behind.