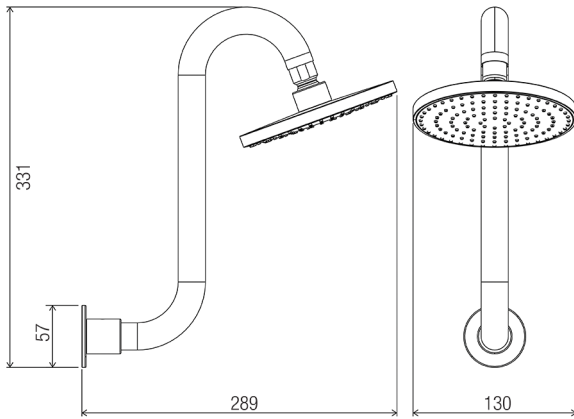


PRODUCT INFORMATION

DIMENSIONS



INDICATIVE IMAGE



STREAMJET™ XL/SWAN NECK ARM

Product Code - Finish

- OH 008E BN - Brushed Nickel

Features

- ABS 130 mm extra large shower with rub-clean spray diffusor
- Brass 290 mm rising arm with flow INTERCHANGE® spigot
- Brass 57 mm wall flange
- Brushed Nickel finish
- Full pattern spray



Compliance

- Watermark AS 3662 WMKT 21147
- WELS 3 Star license number 0046 – 9 L/min water flow rating

Warranty

See Con-Serv warranty policy for full details.

CON-SERV CORPORATION AUSTRALIA PTY. LTD.

17 Glentanna Street, Kedron · Qld. 4031 Australia

Phone: +61 (0)7 3630 5744 · Fax: +61 (0)7 3630 5755 · Email: mail@con-serv.com.au · www.con-serv.com.au