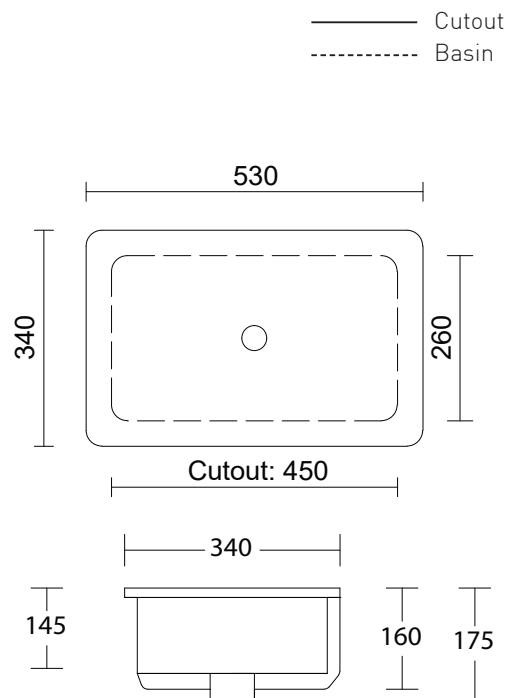


Rectangle Under Counter

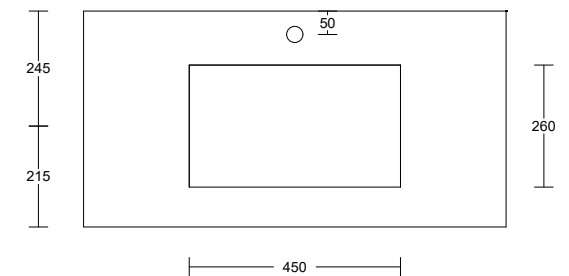
WG White Gloss
REC-BS-530-WG-S



Under Counter Basin



Drawings



Cut Out Specifications

Note: Waste not included. Waste Size: 32mm. Overflow to: Rear of Basin. Minimum Depth: 460mm with taphole behind, 420mm without taphole behind.