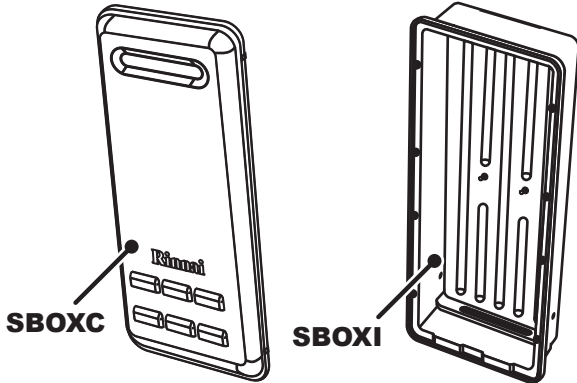
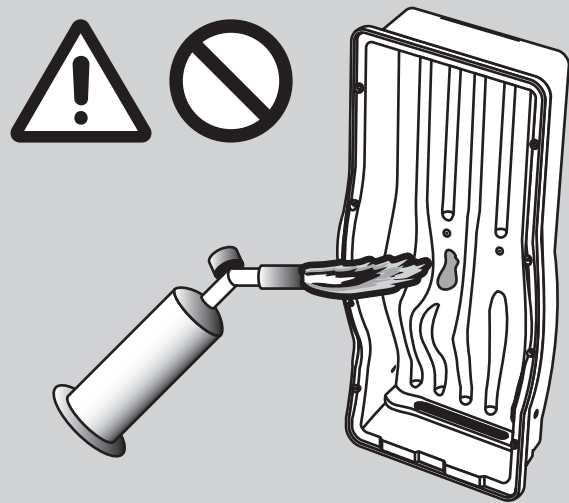


The Smart Box® (SBOX) Recess Enclosure system is made up of two (2) components these are the SBOXI (insert) and SBOXC (cover). These are packed together in the one carton.



If you **DO NOT** have a SBOXC (cover) for your Smart Box contact your supplier.

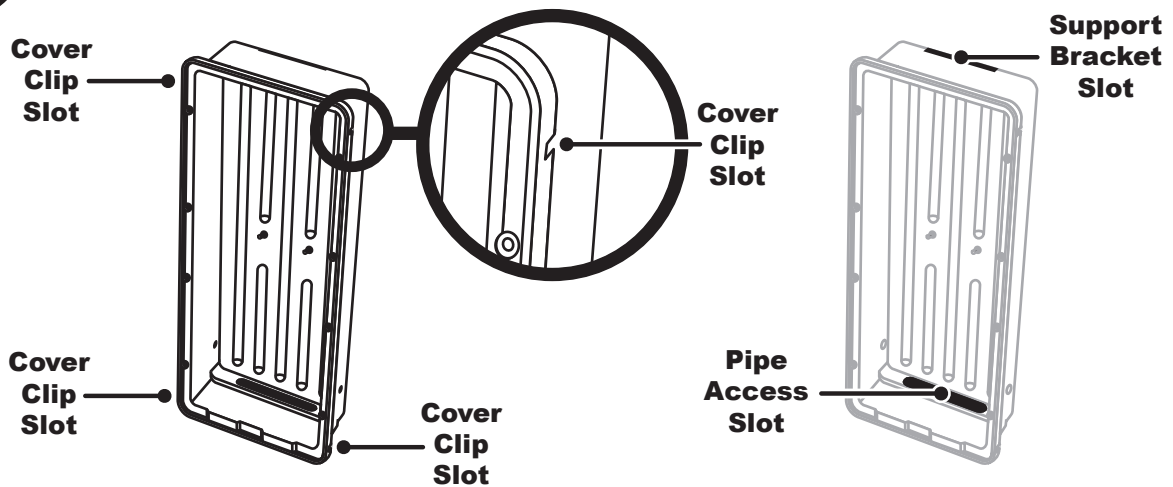


Take care to **AVOID** exposing Smartbox components to **ANY EXCESSIVE HEAT** when welding pipes.

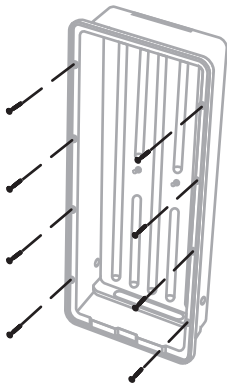


DO NOT

Obstruct the slots provided for the Cover Clips, Support Bracket or Pipe Access

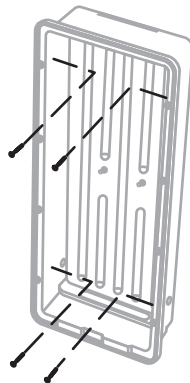


Securing Method (A)



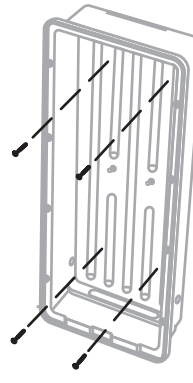
Securing the Smart Box Insert externally

Securing Method (B)



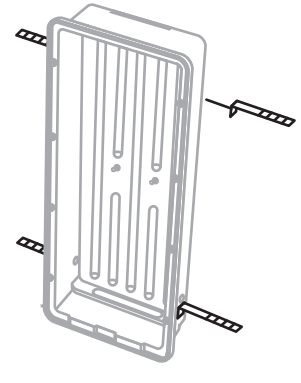
Securing the Smart Box Insert internally through the side wall

Securing Method (C)



Securing the Smart Box Insert internally through the rear wall

Securing Method (D)



Securing the Smart Box Insert with the use of brick ties



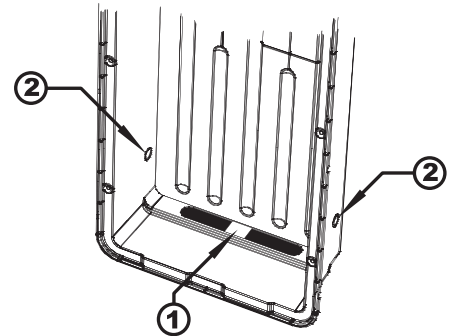
The Smart Box and water heater **MUST** be installed in accordance with manufacturers instructions, AS/NZS3000, AS/NZS3500 and AS/NZS5601. Local gas authorities may have additional local requirements. As an example, some gas authorities require a minimum vertical clearance of 500mm or more between the top of a gas meter and the air intake grille on the Smart Box Cover. Confirm all local requirements prior to installation. Ensure any electrical wiring or plumbing pipework situated behind the Smart Box are not damaged as a result of Smart Box installation.

SMART BOX® RECESS ENCLOSURE COMPONENTS

SBOXI (Insert) and SBOXC (Cover).

GENERAL PREPARATION

1. Prepare an opening in the wall approximately 1 metre above the ground. The opening requirements are Height 1030 mm, Width 390 mm and a minimum Depth of 160mm (see dimension diagrams page 3). Ensure the location complies with the requirements of AS/NZS 5601 Fig. 6.2.
2. Remove the transport tab (1) from the pipe entry point of the Insert.
3. Determine the appropriate electrical access point and remove either the left or right the knock out plug (2) located near the bottom of the side walls of the Insert.



SECURING OPTIONS

The Smart Box Insert is designed to be surface mounted and may be secured using one of the following methods:

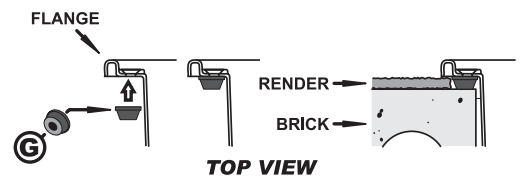
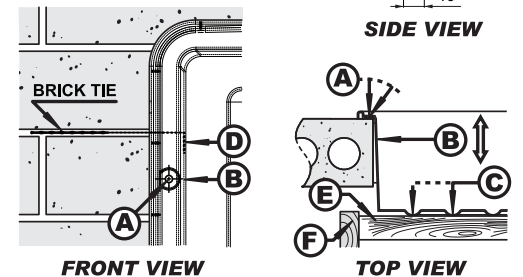
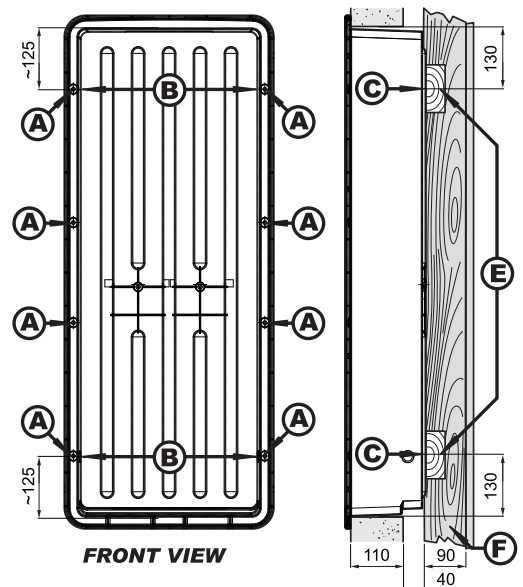
(A) Securing the Smart Box Insert externally

Secure to the wall surface via the 8 screw holes provided in the flange of the Insert using suitable fasteners.

(B) Securing the Smart Box Insert internally, through the side wall

Secure the Insert into a solid fixture such as brickwork, timber studs etc, through the side walls using suitable fasteners.

At least two fasteners should be used through each side wall approximately 125 mm from the inside top and bottom horizontal faces of the Insert.



NOTE Excess space between the side walls of the Insert and the solid fixture may require packing to prevent distortion of the Insert.

(C) Securing the Smart Box Insert internally, through the rear wall

Install two noggins (E) between wall studs (F), these are to be centred at 130 mm from the top and bottom of the opening. Secure the Insert into the noggins (E) through the rear wall using suitable fasteners.

(D) Securing the Smart Box Insert with the use of a brick tie

Secure a brick tie to the side walls of the Insert with pop-rivets or screws.

As the brickwork is being laid use the attached brick ties to secure the Insert into the brick courses. Use two brick ties per side, one near the top and bottom of the Insert.

(G) Installing the Smart Box to rendered surfaces

Use spacers (G) (not provided) to install the Smart Box Insert, with sufficient clearance for rendering.



IMPORTANT When the render is applied ensure that the gap provided by the stand-off spacers is **NOT** exceeded as this will prevent the Smart Box Cover from being fitted!

ASSEMBLY AND APPLIANCE INSTALLATION



The Smart Box Cover and Insert are constructed from durable ABS plastic. Nevertheless, take care when welding any plumbing connections to ensure no Smart Box parts are subjected to a naked flame or excessive heat. The Smart Box is **NOT** suitable for installation into walls which are required to be 'fire resisting' as defined in the Building Code of Australia (BCA) unless alternative provisions are made to achieve the required Fire Resistance Level (FRL). Refer to the BCA for more information.

1. The gas, cold water inlet and hot water outlet pipes can be brought through the pipe entry point at the base of the Insert. The pipe entry point is elevated to prevent water ingress. This can be sealed if required.
2. Remove the two M5 Nyloc nuts (3) from the fixing studs (4) of the Insert.



Before installing the Rinnai water heater the serial and model numbers on the data plate located on the left hand side of the appliance **MUST BE** copied to the sticker on the inside of the Smart Box Cover. The serial and model numbers are required for future service work.

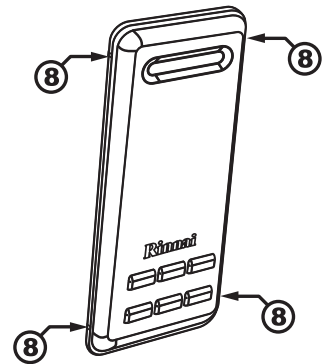
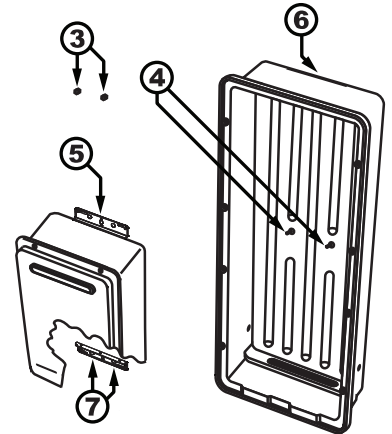
3. Insert the upper mounting bracket (5) of the Rinnai water heater into the bracket slot (6) located at the top of the Insert.

Push the appliance up until the lower mounting bracket (7) aligns with the fixing studs (4) and secure in place with the two M5 Nyloc nuts (3) removed in step 5.

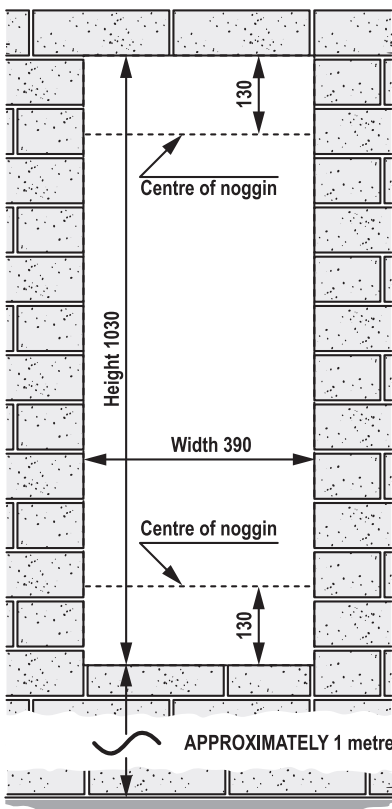
4. Connect the Rinnai water heater in accordance with the Operation / Installation manual supplied with the water heater.
5. An approved weatherproof electrical GPO can be fitted on either side inside the Insert in accordance with AS/NZS 3000 Wiring Rules and other local requirements.
6. Commission and test the water heater in accordance with the Operation / Installation manual supplied with the water heater.

Attach the warning sticker that is supplied with these instructions to the front Cover of the Rinnai water heater.

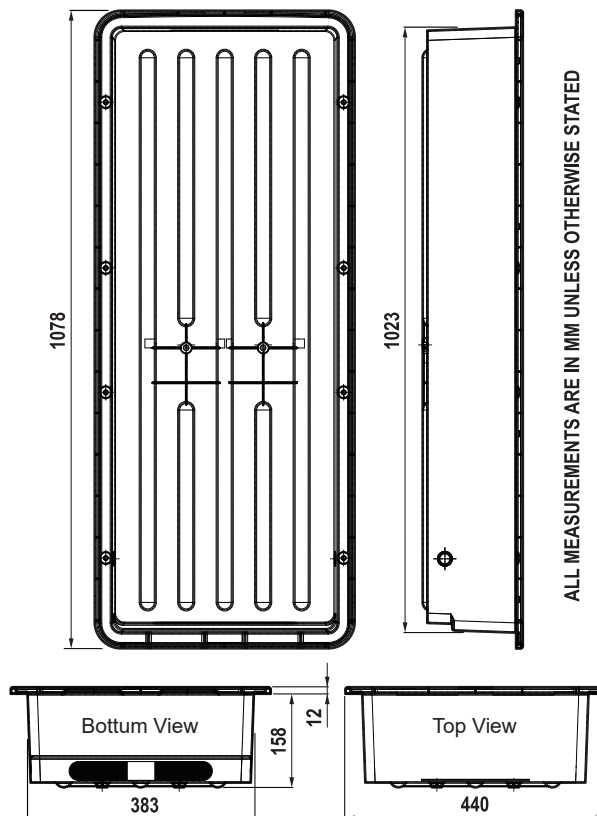
7. Install the Smart Box Cover by aligning it with the Smart Box Insert (the flue spigot hole is to be uppermost) and push into place ensuring that the 4 locking clips (8) have engaged securely.



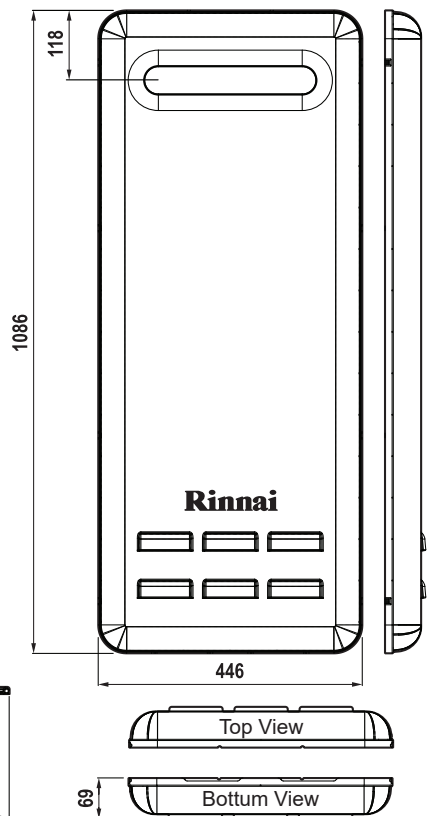
DIMENSIONS



OPENING



Smartbox INSERT (SBOXI)



Smartbox COVER (SBOXC)

SMART BOX® SEMI-RECESS FRAME USE

The SBOXF (Frame) is used when a semi-recessed installation of the Smart Box recess enclosure is required. SBOXF reduces the cavity depth requirements of the SBOXI (Insert) by 60mm. This is useful where the depth of a wall cavity is insufficient to allow SBOXI to be fully recessed (for example weatherboard or other non masonry walls).



The Smart Box Frame (SBOXF) is to be installed at the same time as the Smart Box Insert (SBOXI) and Smart Box Cover (SBOXC).

These instructions are to be followed in conjunction with the Installation Instructions for Insert and Cover supplied with those items.

GENERAL PREPARATION

1. Prepare an opening in accordance with that which is specified in Step 1. of General Preparation, on page 2.
2. When installing the SBOXF (Frame) onto SBOXI (Insert) it should be orientated so that the sealing flange (1) is against the wall surface and the two drainage slots (2) are in the lower most position.

SECURING OPTIONS

The Smart Box Frame and Insert are designed for surface mounting and may be secured using any of the methods described below:

(A) Securing SBOXI/SBOXF externally

Use the 8 x 100mm bugle screws (3) that are supplied with the SBOXF (Frame) to secure both the SBOXF (Frame) and SBOXI (Insert) to the wall surface.



When securing the SBOXI (Insert) and SBOXF (Frame) from the front, use **ONLY** the 8 screw holes (3) that are provided.



DO NOT attempt to screw or nail through the sealing flange of the SBOXF (Frame) as this may damage the Frame.

IMPORTANT

(B) Securing SBOXI/SBOXF internally through the side wall

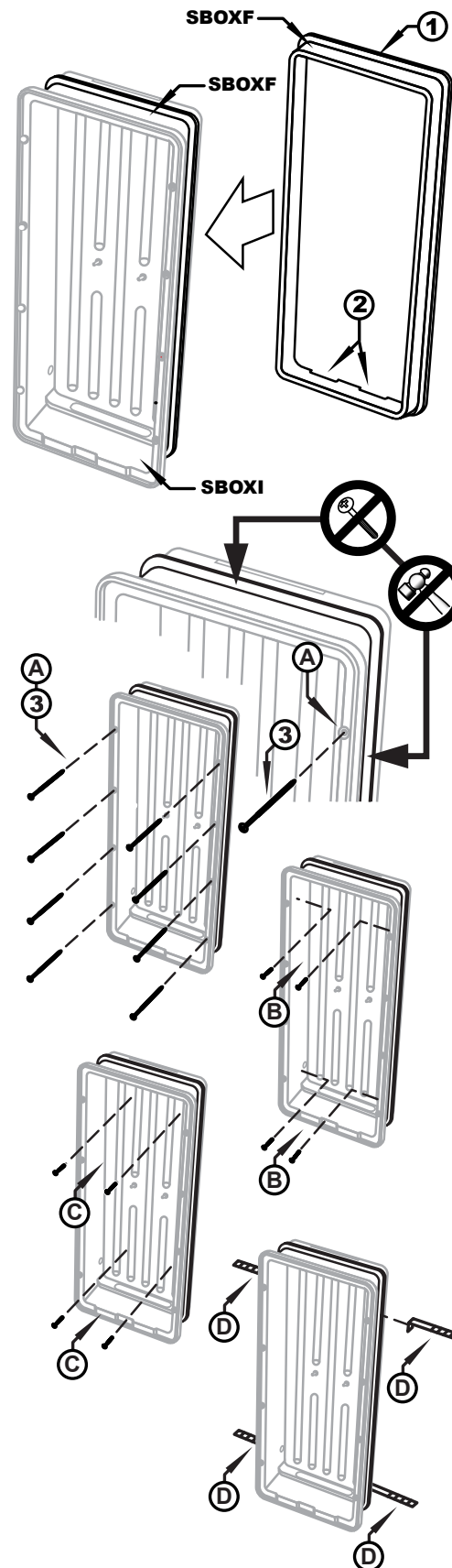
Secure the SBOXI (insert) into a solid fixture such as brickwork, timber studs etc, through the side walls using suitable fasteners.

(C) Securing SBOXI/SBOXF internally through the rear wall

Install noggins between wall studs and secure through the rear wall of the SBOXI (insert) using suitable fasteners.

(D) Securing SBOXI/SBOXF with the use of brick ties

Secure a brick tie to the side walls of the SBOXI (insert) with pop-rivets or screws.



Rinnai Australia Pty. Ltd.

ABN 74 005 138 769

100 Atlantic Drive, Keysborough, Victoria 3173

P.O. Box 460, Braeside, Victoria 3195

AU45204

Rinnai has a Service and Spare Parts network with personnel who are fully trained and equipped to give the best service on your Rinnai appliance. If your appliance requires service, please call our National Help Line. Rinnai recommends that this appliance be serviced at least every 2 years.

With our policy of continuous improvement, we reserve the right to change, or discontinue at any time, specifications or designs without notice.

Product Sales & Service National Help Line

Tel: 1300 555 545* Fax: 1300 555 655

*Monday to Friday, 8.00am to 5.30pm EST

For further information visit www.rinnai.com.au or email enquiry@rinnai.com.au