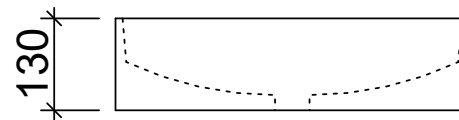
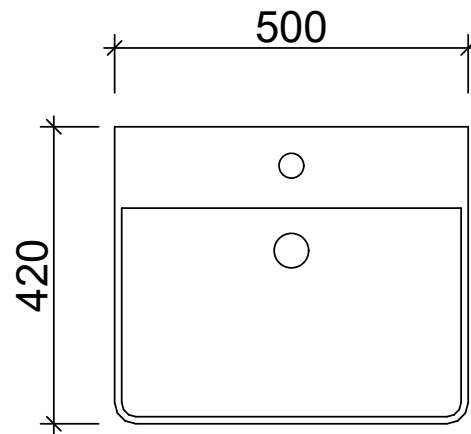


Iconic 500

WG White Gloss
ICN-BS-500-WG-S

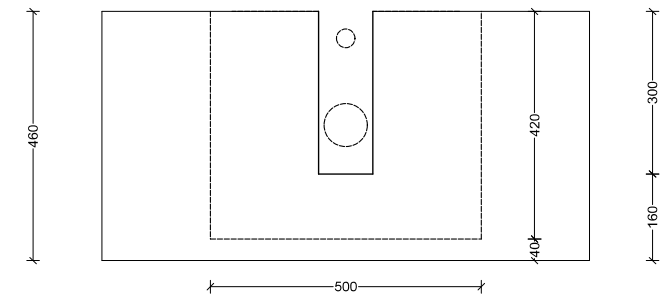


Above Counter



Drawings

Taphole Behind



Cut Out Specifications

Approx Capacity: 9L

Cut Out Size: 100w x 300d

Waste Size: 32mm with overflow

Note: Due to the manufacturing process, ceramic basins will vary from their nominal stated sizes. Use the dimensions provided as a guide only. Waste not included. Refer to brochure for pricing.