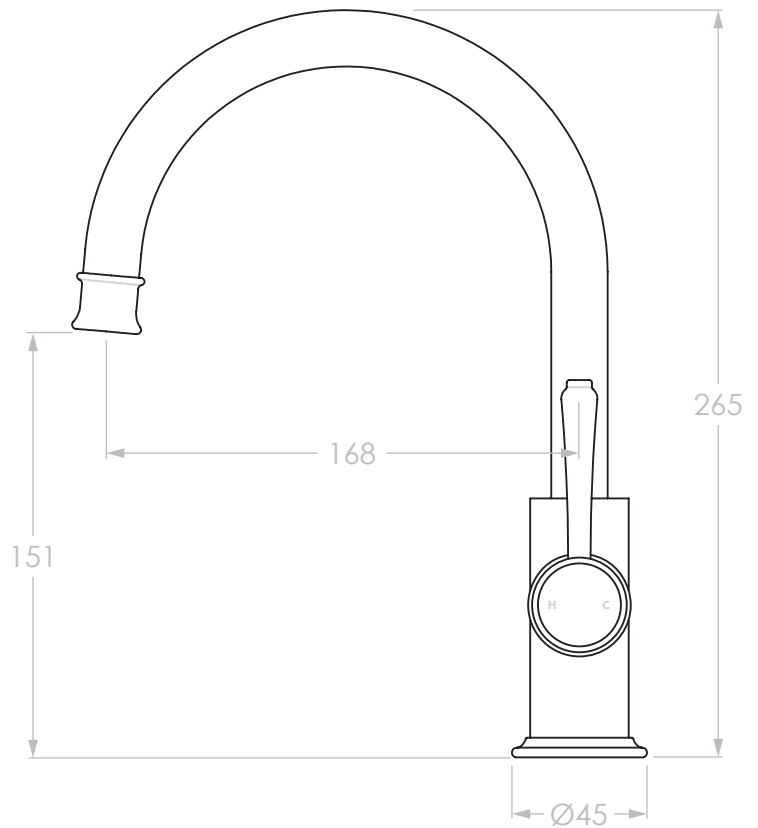
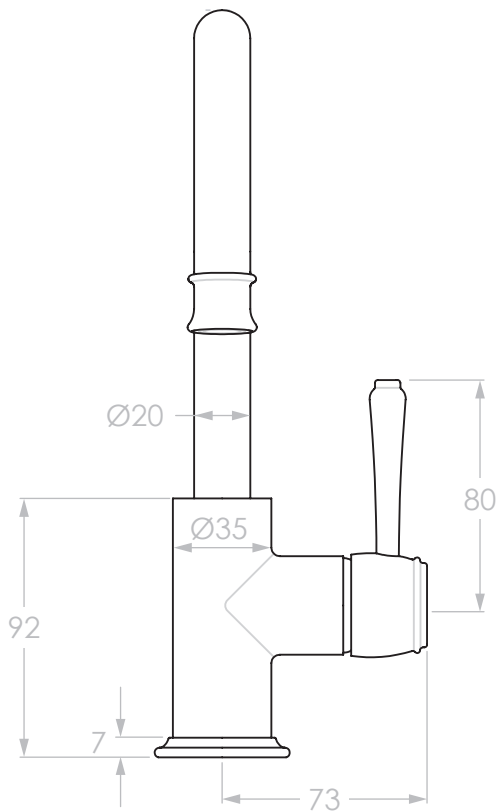


PRODUCT:	ETERNAL GOOSENECK BASIN MIXER
SIZE:	265H x 200D x 96W
TYPE:	BASIN MIXER
VERSION: 01	DATE: 04/04/2023

CHROME (CHROMIUM PLATED)	JTAPGBSOECP
MATTE BLACK (ELECTROPLATED)	JTAPGBSOEBA
BRUSHED NICKEL (PVD)	JTAPGBSOENK
BRUSHED BRASS (PVD)	JTAPGBSOEBB
BRUSHED COPPER (PVD)	JTAPGBSOEBCO



NOTES:

ALL DIMENSIONS ARE NOMINAL AND SUBJECT TO CHANGE.
 DO NOT DRILL OR ROUGH IN UNTIL YOU HAVE RECEIVED AND MEASURED YOUR PRODUCT.
 ALL DIMENSIONS ARE IN MILLIMETRES.
 DO NOT MEASURE FROM DRAWING.

WATER SUPPLY REQUIREMENTS:

NOT RECOMMENDED FOR GRAVITY FED WATER SYSTEMS OR WATER TANKS.
 WORKING PRESSURE: 350 – 500KPA (INCLUDING COLD AND HOT WATER PRESSURE)
 MAXIMUM PRESSURE: 73PSI / 500KPA
 TEMPERATURE RATING: 5°C - 65°C (MUST NOT EXCEED 70°C)
 INSTALLATION SHOULD COMPLY WITH AUSTRALIAN STANDARD AS/NZS 3500 OR RELEVANT LOCAL AUTHORITY REQUIREMENTS.