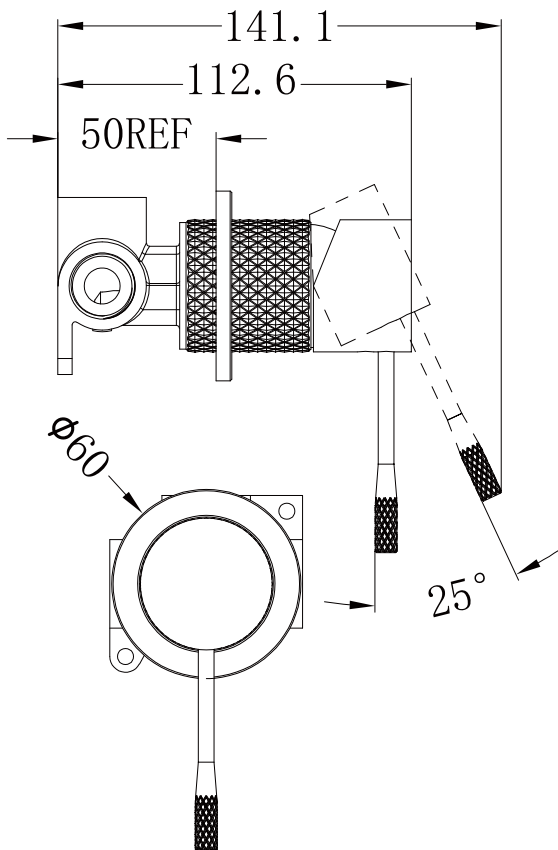




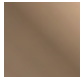

## Opal Shower Mixer With 60mm Plate



### SPECIFICATION

PRODUCT CODE	YSW2519-09H
WELS RATING	N/A
WATERMARK LICENSE	WM-060073
TEMPERATURE RATING	MIN 1°C-MAX 75°C
PRESSURE RATING	MIN 150KPa-MAX 500KPa

### AVAILABLE FINISH

	GRAPHITE NR251909hGR		BRUSHED NICKEL NR251909hBN
	BRUSHED BRONZE NR251909hBZ		BRUSHED GOLD NR251909hBG

### MAINTENANCE AND CARE

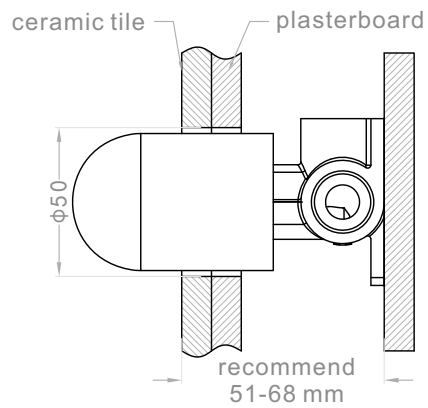
All surfaces should be cleaned with mild liquid detergent or soap and water. Do not use cream cleaners or citrus based cleaning products, as they are abrasive. Use of unsuitable cleaning agents may damage the surface. Any damage caused in this way will not be covered by warranty.

### PACKING INCLUDES

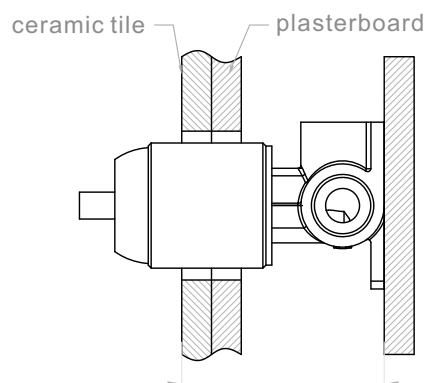
- 1x mixer body
- 1x handle
- 1x plate
- 1x accessories pouch



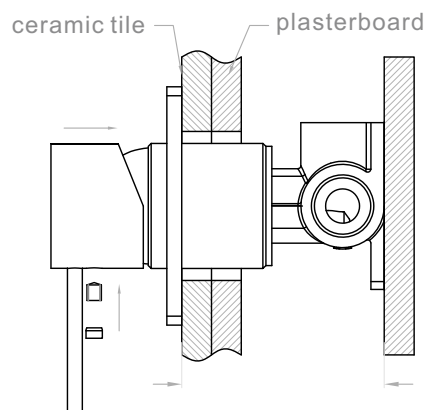
## Installation Instruction



1. Fix body on noggin and ensure installation depth is 51-68mm from noggin to ceramic tile.
2. Connect cold water hose and hot water hose and test for leakage.
3. Install plasterboard and ceramic tile after drilling a  $\phi 50$  hole according to above picture.



4. Remove the plastic sleeve of body.



5. Install plate and handle.