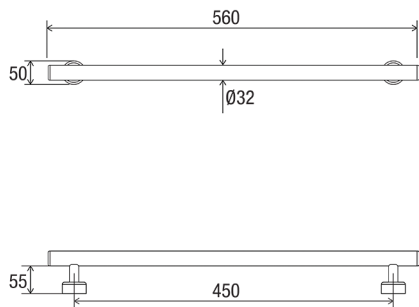


## PRODUCT INFORMATION

### DIMENSIONS



### INDICATIVE IMAGE



### LINEAR - STRAIGHT GRAB RAILS

#### Product Code - Finish

- LR 450 PS - Polish Supreme™

#### Features

- 450 mm  $\varnothing$  to  $\varnothing$  straight grab rail
- 32mm grab rail fabricated from 304 stainless steel
- Assembled with 50 mm brass screw on flange covers and TPE (Thermoplastic Elastomer) fitted seals with Biomaster antimicrobial additive
- Inside of grab rail has been cleaned and free of unsanitary oil and dirt produced through fabrication processes
- Stainless steel fixing screws supplied

#### Compliance

- Meets the requirements of AS 1428.1:2021 Design for access and mobility
- Complies with Section 14 Grab Rails of AS 1428.1:2021



#### Warranty

See Con-Serv warranty policy for full details.

CON-SERV CORPORATION AUSTRALIA PTY. LTD.

17 Glentanna Street, Kedron · Qld. 4031 Australia

Phone: +61 (0)7 3630 5744 · Fax: +61 (0)7 3630 5755 · Email: mail@con-serv.com.au · www.con-serv.com.au