

L Bend Shower Curtain Track System

Material Specifications

- Clear Anodised Aluminium
- All Bends Seamless

Dimensions

- **SCT_1200X1200MM:** Micro Shower Curtain Track L-1200x1200
- **SCT_1600X1600MM:** Micro Shower Curtain Track L-1600x1600

Components Supplied

- Track, Ceiling Support Rod, Hooks & Wall Mount Bracket

Mounting

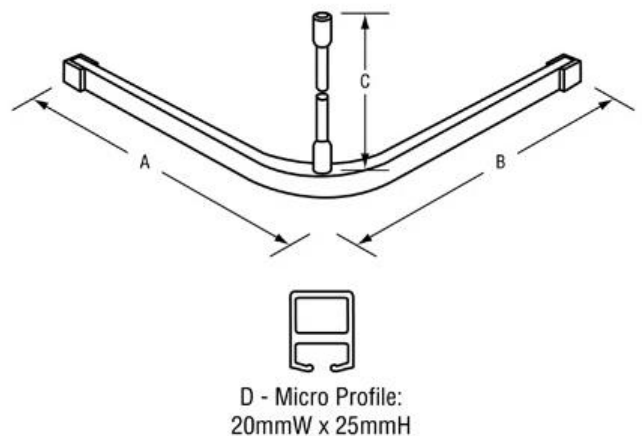
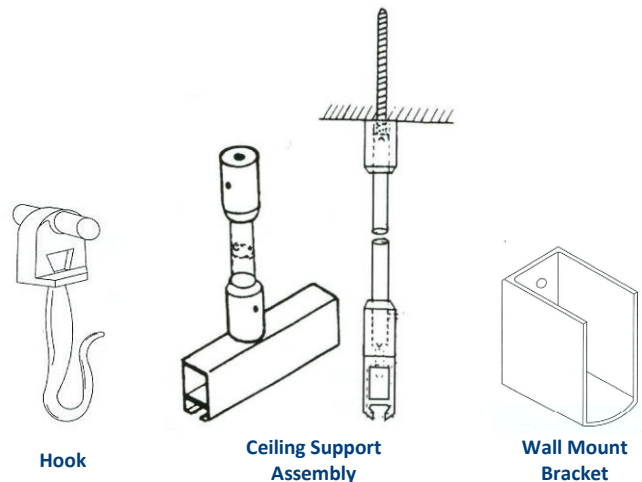
- Concealed Screw Fix

Installation Guidelines

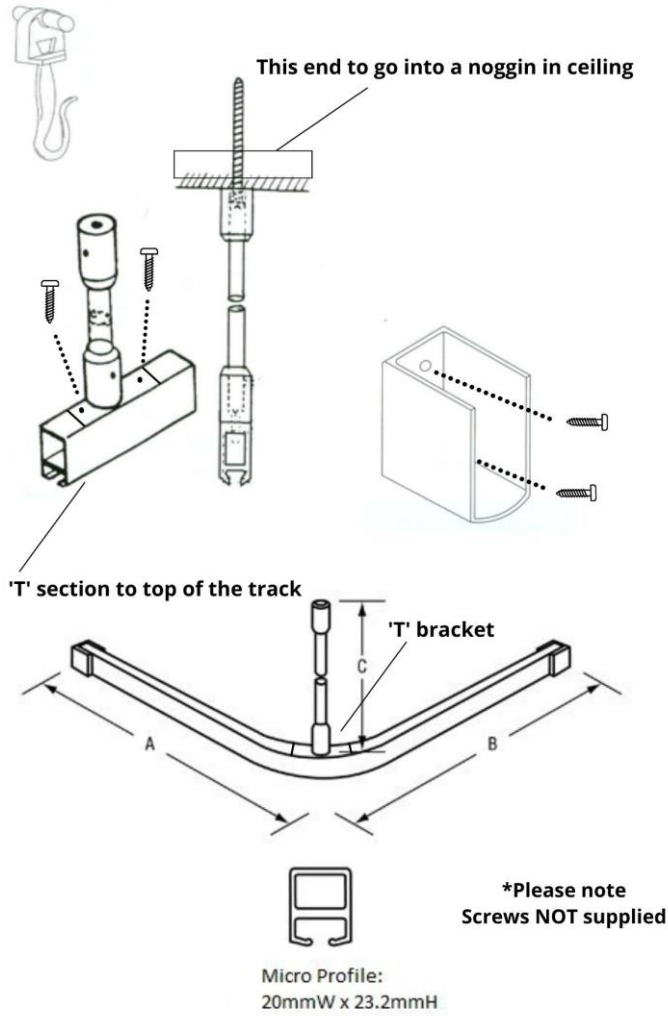
- *May be subject to Australian Building Code Regulations for height and location fixing and may be subject to placement as per architectural drawings. In all cases, this is the responsibility of the installer.*
1. Before beginning installation, ensure that the curtain track is the right size, if required cut it down to size.
 2. Locate correct placement on the wall and install the wall mount brackets.
 3. Insert the curtain hooks into the track and then install the curtain track into the wall mount brackets, ensuring that the track is level.
 4. Attach the ceiling support rod to the curtain track, and install to the ceiling. Ensure that the ceiling support rod is vertical, and that it is not on an angle.
 5. Hang the shower curtain (not supplied) to finish installation.

Operation

- Size required to meet AS1428.1 Compliance is 1100mm x 1600mm (order 1600mm x 1600mm track)
- Can be cut back on site to suit requirements
- Curtains sold separately



This product is AS1428.1 compliant (accessible compliant) when installed in accordance with the guidelines.



The technical recommendations contained in this document are necessarily of a general nature and should not be relied on for specific applications without first securing competent advice. Whilst Metlam Australia Pty Ltd has taken all reasonable steps to ensure the information contained herein is accurate and current, it does not warrant the accuracy or completeness of the information and does not accept liability for errors or omissions. Any Commercial product should only be installed by a competent tradesperson and serviced/maintained by knowledgeable janitorial staff or competent people. Metlam Australia accepts no responsibility for any damage to product, walls or fixtures due to incorrect installation or maintenance of any of their products.

The photographs and line drawings of the products presented above are representational only.
Metlam Australia Pty Ltd reserves the right to, and from time to time, make changes and improvements in design and dimensions.