

Nero

CLASSIC SHOWER MIXER WITH DIVERTER

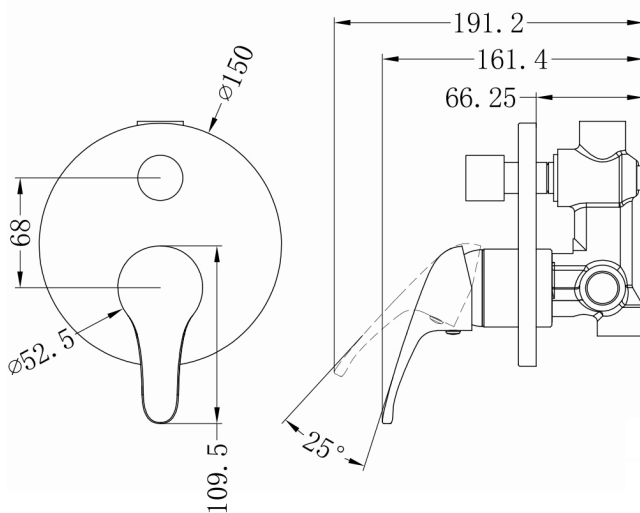


SPECIFICATION

PRODUCT CODE	YSW1100-09A
WELS RATING	N/A
WATERMARK LICENSE	WM-060073
TEMPERATURE RATING	MIN 1°C-MAX 75°C
PRESSURE RATING	MIN 150KPa-MAX 500KPa

FINISH

NR110009aCH	chrome
-------------	--------



MAINTENANCE AND CARE

All surfaces should be cleaned with mild liquid detergent or soap and water.

Do not use cream cleaners or citrus based cleaning products, as they are abrasive.

Use of unsuitable cleaning agents may damage the surface. Any damage caused in this way will not be covered by warranty.

PACKAGING INCLUDES

- 1x body set
- 1x plate
- 1x handle
- 1x diverter
- 1x installation kit

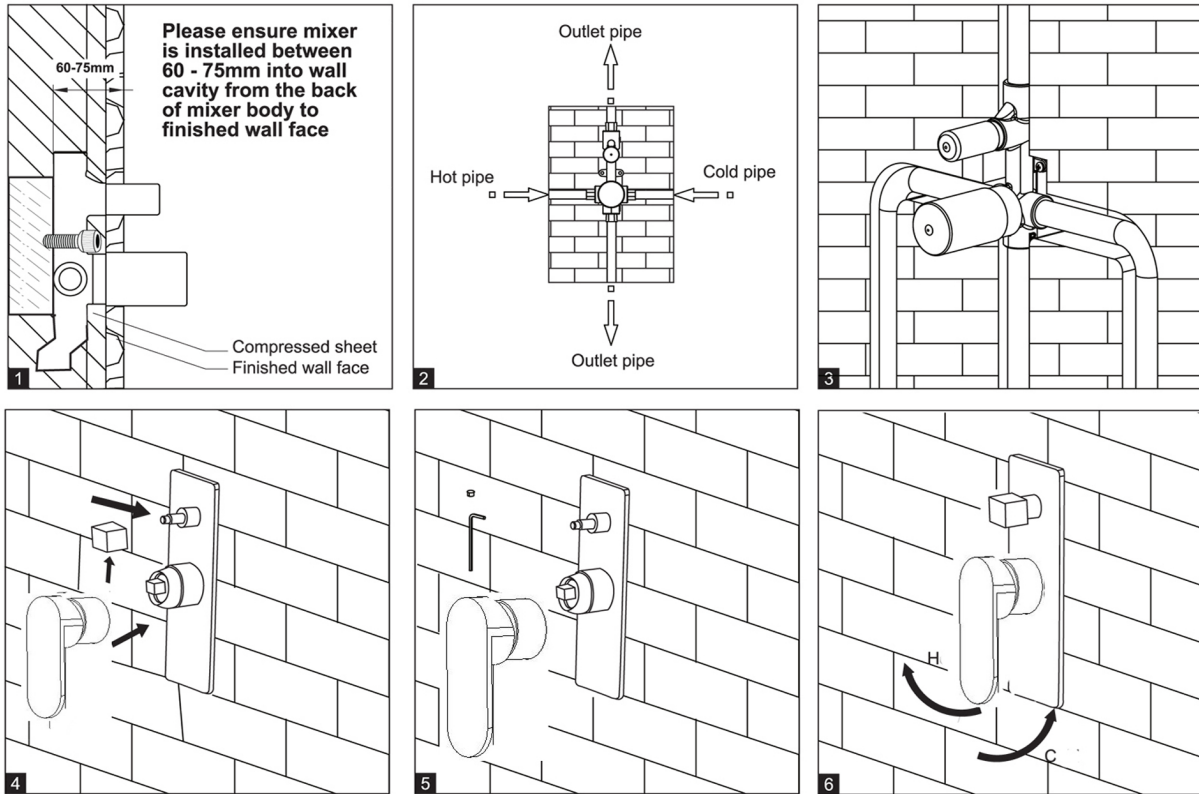
Dimensions are nominal measurements only.



Versions: 2019.12

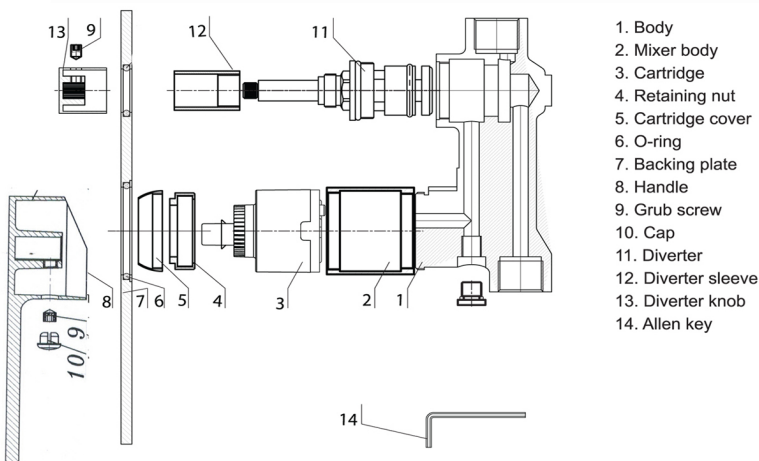
www.nerotapware.com.au

INSTALL INSTRUCTION



1. Install mixer body into wall cavity. Refer to diagram 1 above for setting depth of mixer body in relation to finished wall face.
2. Connect all pipe work as per diagram 2 above.
3. Pressure test for leaks, then proceed to waterproof installation.
4. Remove protective sleeve and install decorator plate.
5. Install handle and diverter knob.
6. Operate mixer diverter.

EXPLOSIVE VIEW



1. Body
2. Mixer body
3. Cartridge
4. Retaining nut
5. Cartridge cover
6. O-ring
7. Backing plate
8. Handle
9. Grub screw
10. Cap
11. Diverter
12. Diverter sleeve
13. Diverter knob
14. Allen key

To remove cartridge

⚠ First shut off the water supply to the tap.

- 1: Remove cap from the handle.
- 2: Loosen the grub screw in handle, but do not remove it.
- 3: Take off the handle, unscrew the cartridge cover.
- 4: Using a correct size spanner unscrew the retaining nut.
- 5: Pull the cartridge out.
- 6: Replace cartridge and reassemble mixer.