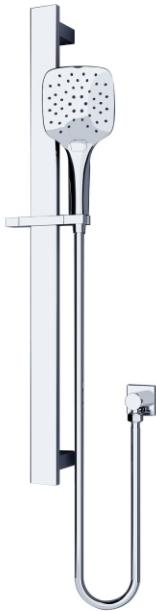


Rain 3 Function Rail Shower



SPECIFICATION

WELS RATING	3 STAR 9L/MIN
WATERMARK LICENSE	WM-060093
TEMPERATURE RATING	MIN 1°C-MAX 75°C
PRESSURE RATING	MIN 150KPa-MAX 500KPa

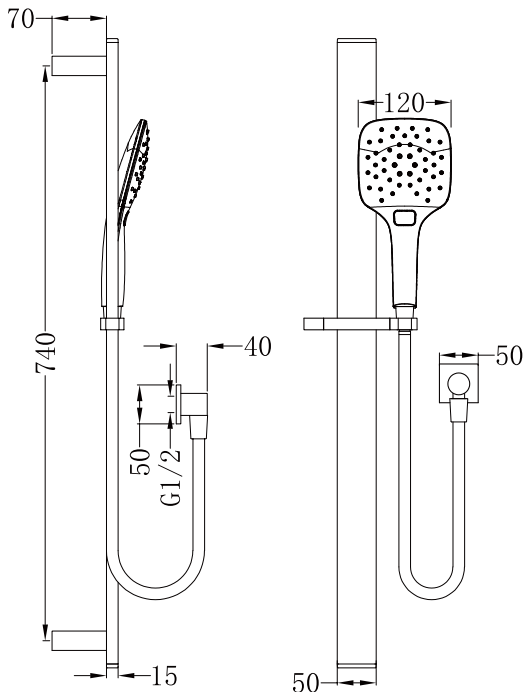
FINISH AND SKU



CHROME
NR304CH



MATTE BLACK
NR304MB



Dimensions are nominal measurements only.

MAINTENANCE AND CARE

All surfaces should be cleaned with mild liquid detergent or soap and water. Do not use cream cleaners or citrus based cleaning products, as they are abrasive. Use of unsuitable cleaning agents may damage the surface. Any damage caused in this way will not be covered by warranty.

PACKING INCLUDES

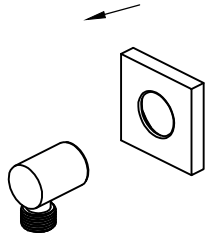
- 1x handle shower (built-in check valve)
- 1x shower hose
- 1x elbow
- 1x shower rail



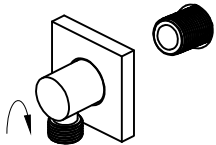
Versions: V1



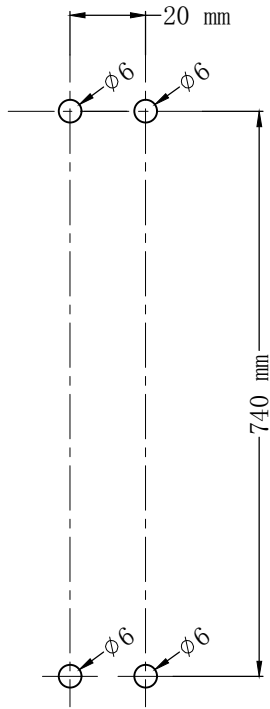
1. Put Teflon tape on outlet thread.



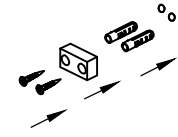
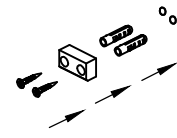
2. Pull dressing ring on the elbow body.



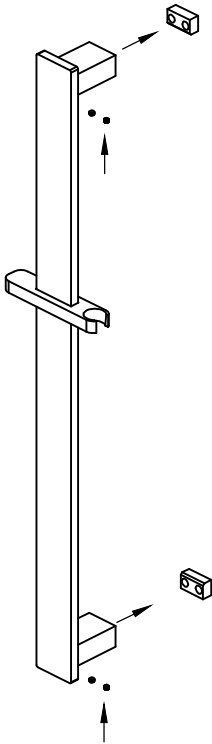
3. Screw elbow body on to outlet.



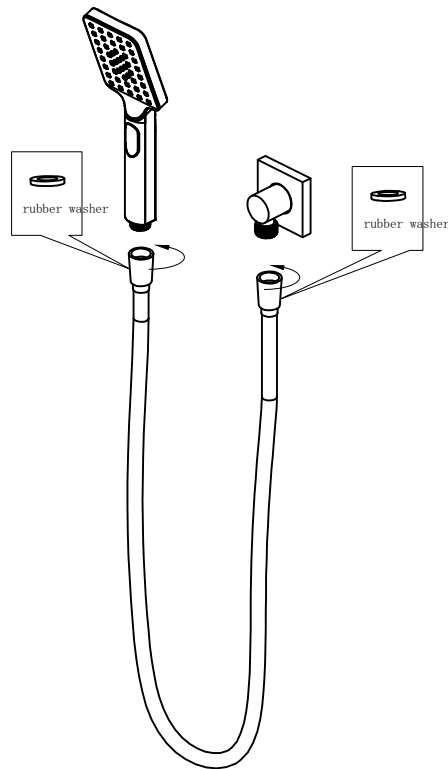
4. Drill four holes according to above picture.



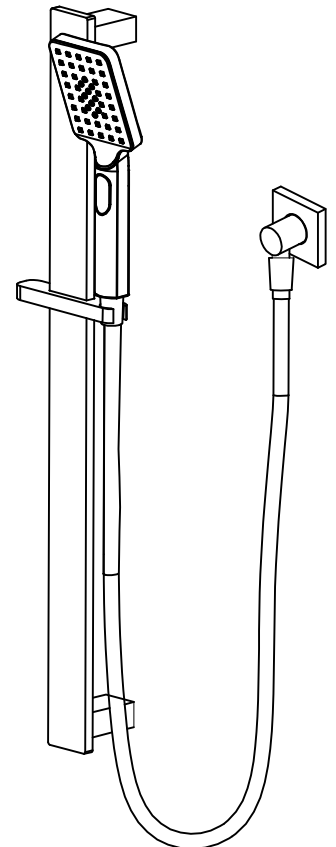
5. Make expansion plug into four holes and make brackets into holes by tapping screw.



6. Install shower rail onto brackets, tighten four grub screws by hex wrench.



7. Connect hand shower and elbow by shower hose.
(Notes: there are two rubber washers in shower hose.)



8. Test and check for leaks.