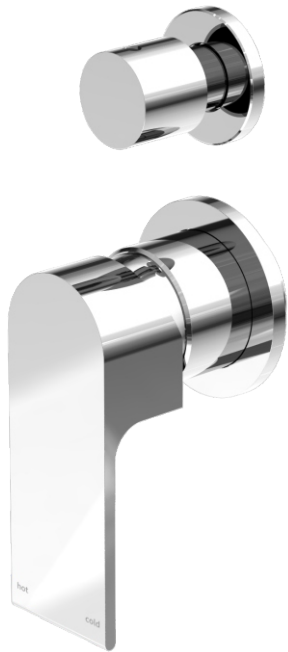



## Bianca Shower Mixer With Devertor

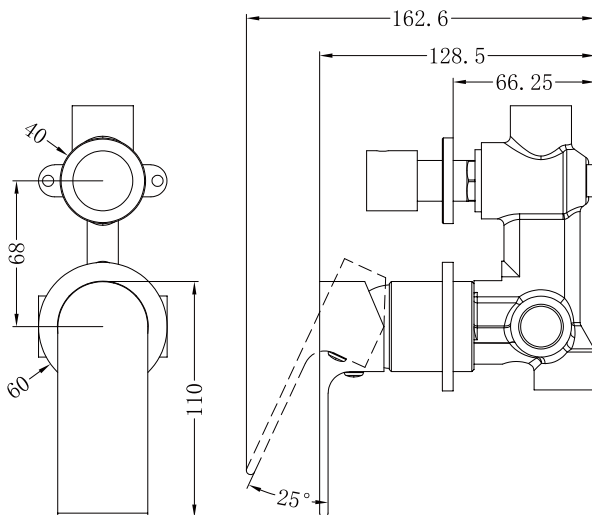


### SPECIFICATION

PRODUCT CODE	YSW3215-09G
WELS RATING	N/A
WATERMARK LICENSE	WM-060073
TEMPERATURE RATING	MIN 1°C-MAX 75°C
PRESSURE RATING	MIN 150KPa-MAX 500KPa

### FINISH

	CHROME NR321509gCH		MATTE BLACK NR321509gMB
	BRUSHED NICKEL NR321509gBN		GUN METAL NR321509gGM
	BRUSHED GOLD NR321509gBG		



Dimensions are nominal measurements only.

### MAINTENANCE AND CARE

All surfaces should be cleaned with mild liquid detergent or soap and water.

Do not use cream cleaners or citrus based cleaning products, as they are abrasive.

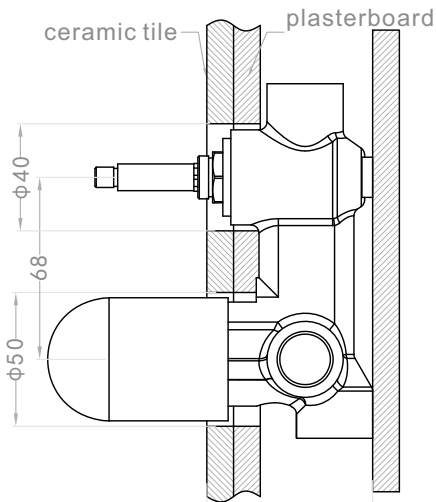
Use of unsuitable cleaning agents may damage the surface. Any damage caused in this way will not be covered by warranty.

### PACKING INCLUDES

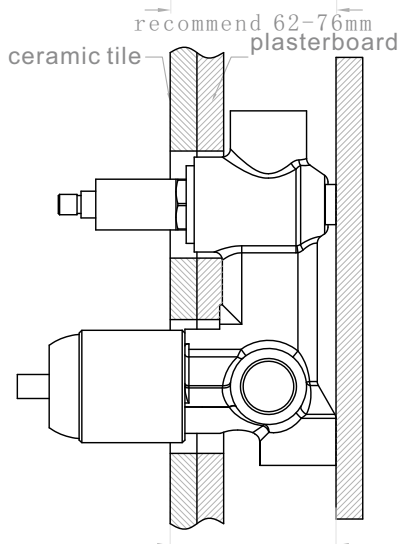
- 1x mixer body
- 1x plate
- 1x handle
- 1x diverter
- 1x installation kit



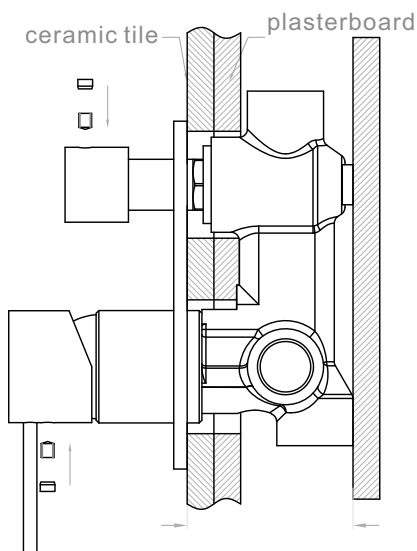
## Installation Instruction



1. Fix body on noggin and ensure installation depth is 62-76mm from noggin to ceramic tile.
2. Connect cold water hose and hot water hose and test for leakage.
3. Install plasterboard and ceramic tile after drilling a  $\phi 50$  and a  $\phi 40$  hole according to the right drawing.



4. Remove the plastic sleeve and install sleeve of diverter.



5. Install plate, handle and knob.