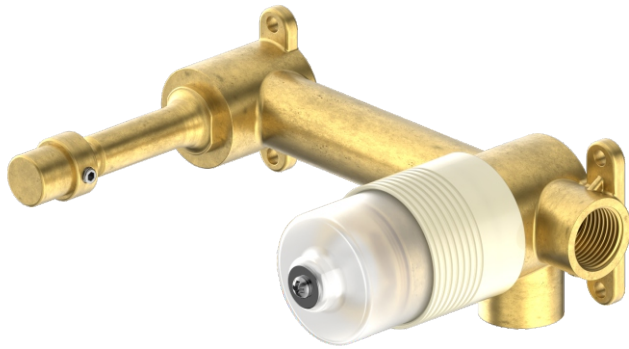


Project 35mm Universal Wall Basin Mixer Body Only

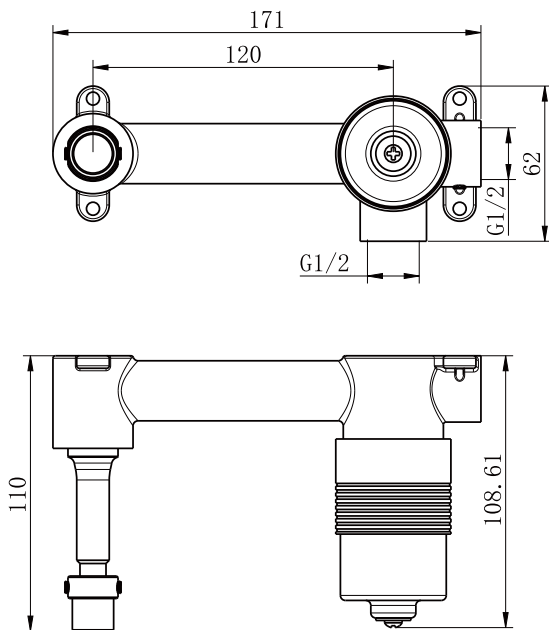


SPECIFICATION

SKU	NRUB001
WATERMARK LICENSE	WM-060073
TEMPERATURE RATING	MIN 1°C-MAX 75°C
PRESSURE RATING	MIN 150KPa-MAX 500KPa

PACKING INCLUDES

- 1x mixer body



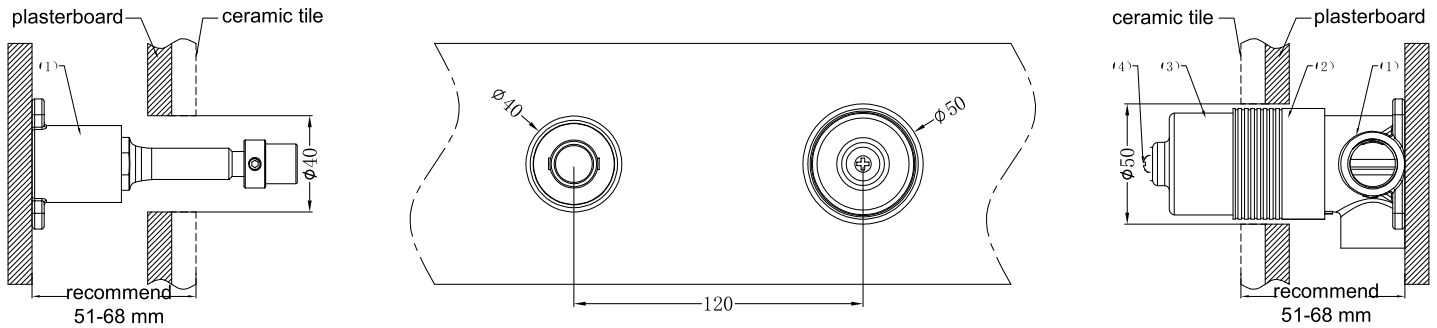
Dimensions are nominal measurements only.

Notes: Only Compatible for use with all Ecco and Dolce Bath / Shower Mixers

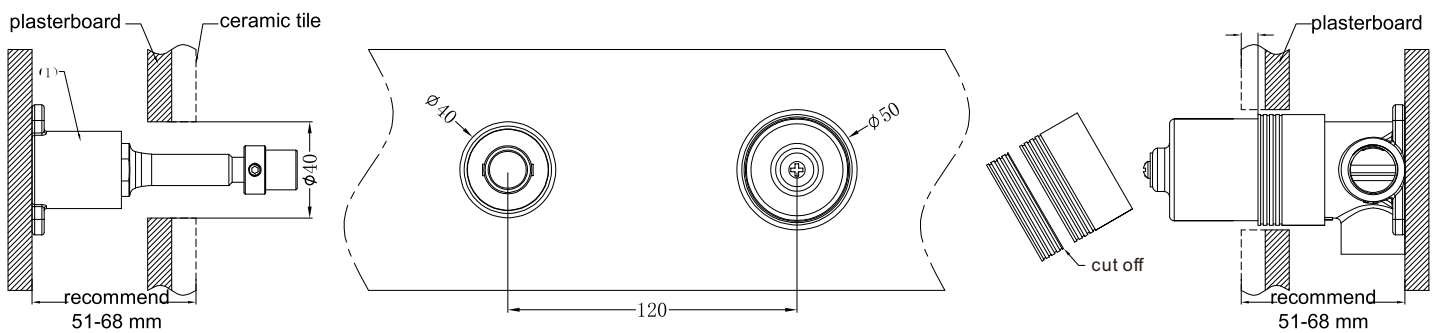


WaterMark
AS/NZS 3718
WM-060073

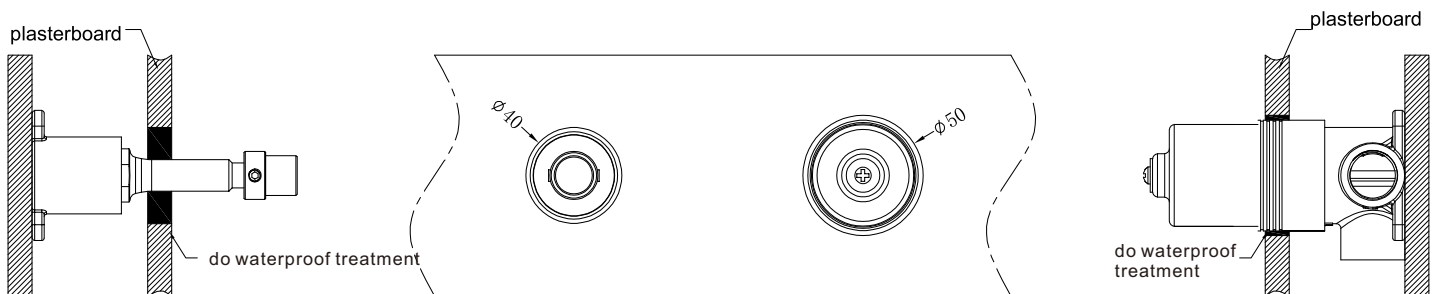
Installation Instruction For Body



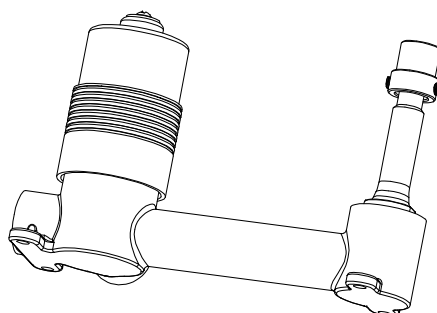
1. Fix body (1) on noggin and ensure installation depth is 51-68mm from noggin to ceramic tile. Caution: Do not take off plastic sleeve on body.
2. Connect cold water hose and hot water hose and conduct water pressure test for leak.
3. Install plasterboard after drilling a $\phi 50$ and a $\phi 40$ hole according to above picture.



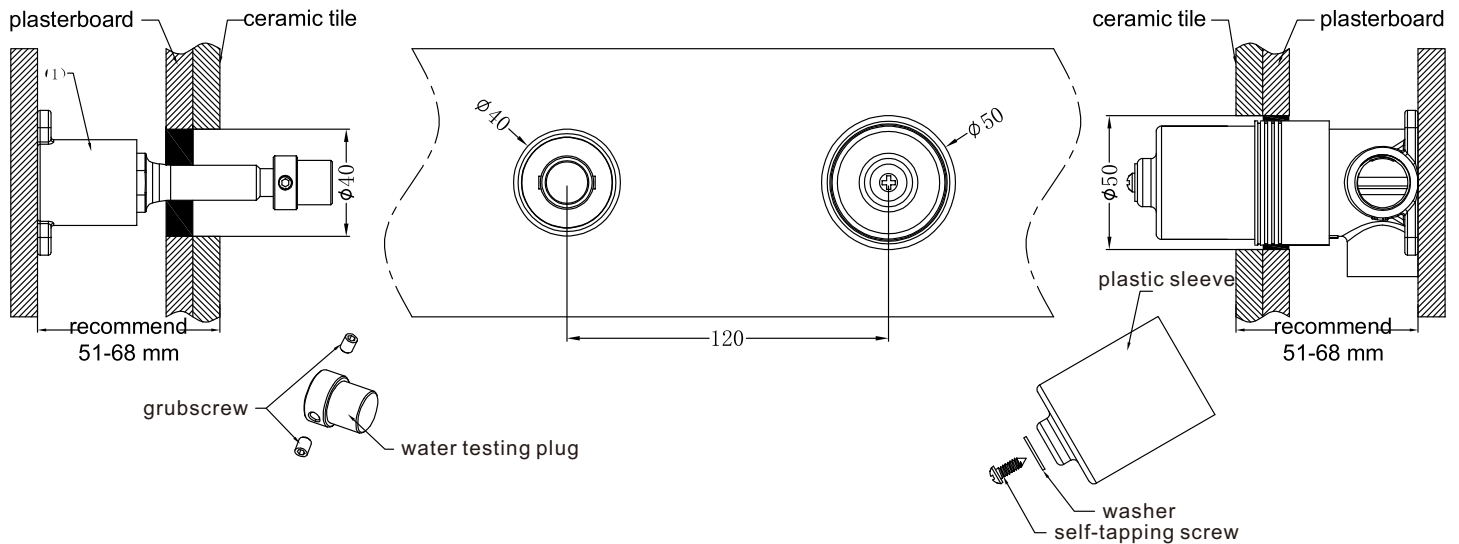
4. Make a mark on plastic sleeve (2) at 4-7cm from surface of ceramic tile to body.
5. Remove self-tapping screw, washer and plastic sleeve, and cut off the plastic sleeve from the mark.
6. Install self-tapping screw, washer and plastic sleeve back to the body successively .



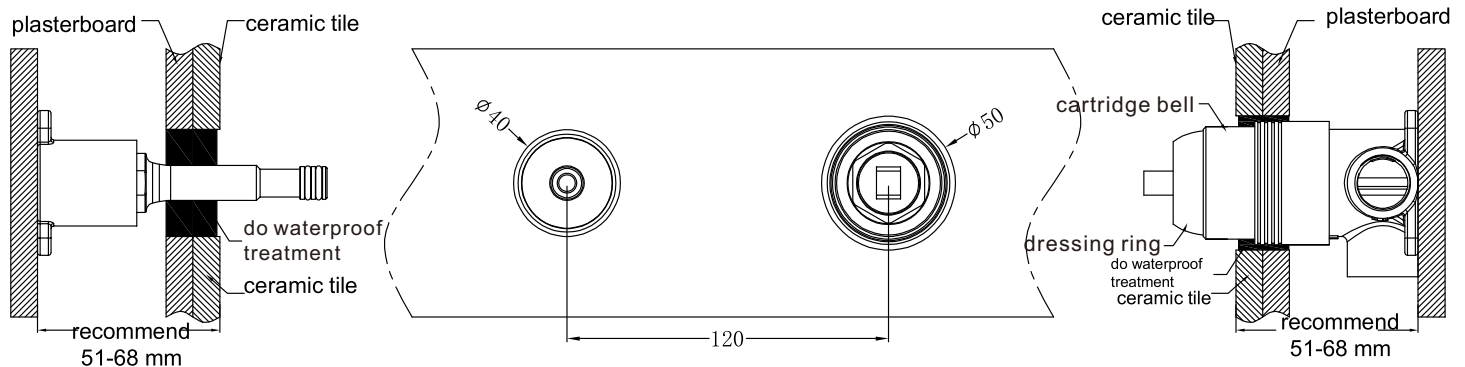
7. Do waterproof treatment for gap of plasterboard and body.



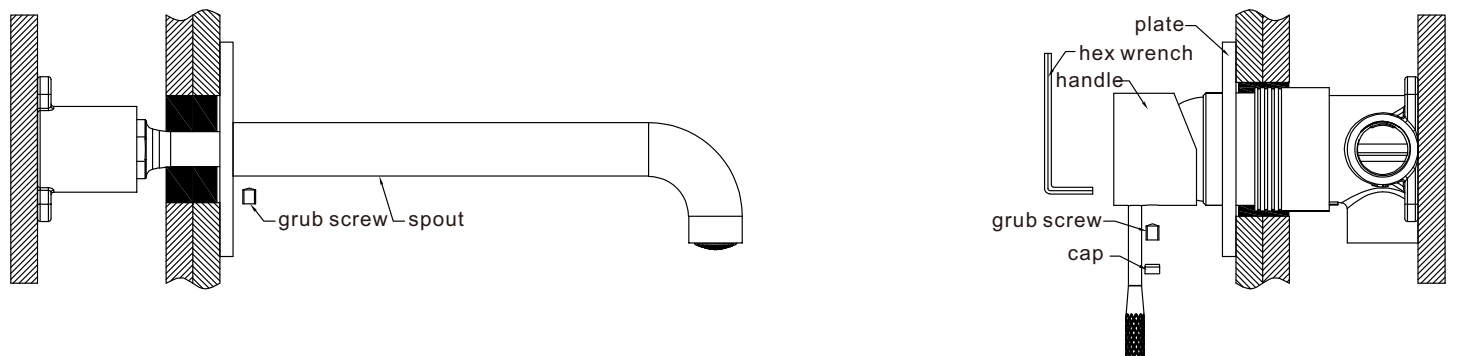
Installation Instruction For Trim Kits



1. Install ceramic tile after drilling a $\phi 50$ and a $\phi 40$ hole according to above picture.
2. Remove self-tapping screw, washer, plastic sleeve, grub screw and water testing plug.



3. Put on cartridge bell.
4. Screw on dressing ring.
5. Do waterproof treatment for the gap between ceramic tile and cartridge bell and gap between ceramic tile and spout.



6. Put plate onto body.
7. Put washer onto cartridge stick, put on handle and tighten grub screw of handle firmly by hex wrench, put cap into handle.
8. Install spout onto body, tighten grub screw of spout firmly by hex wrench.