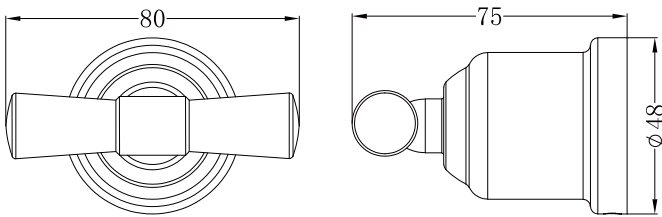


York Bathroom Accessories

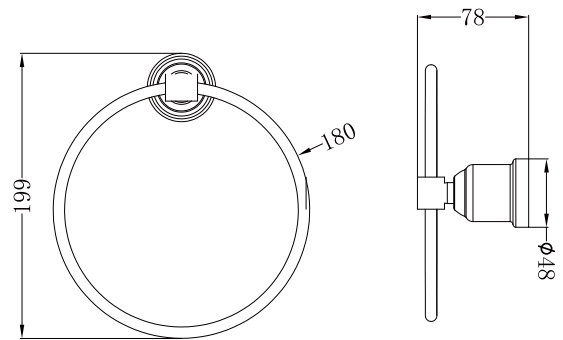
ROBE HOOK

NR6982CH/NR6982MB/NR6982AB



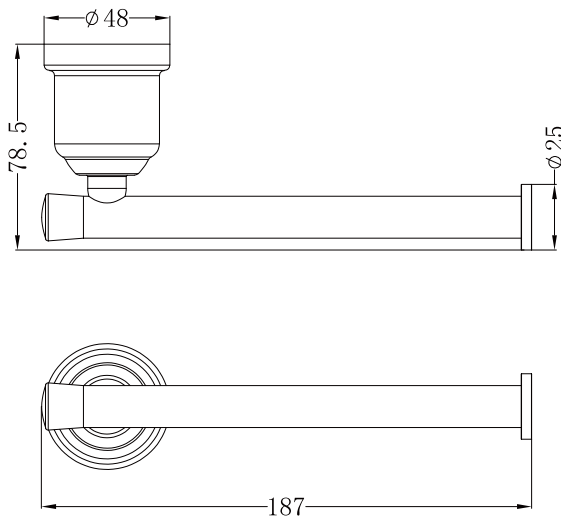
TOWEL RING

NR6980CH/NR6980MB/NR6980AB



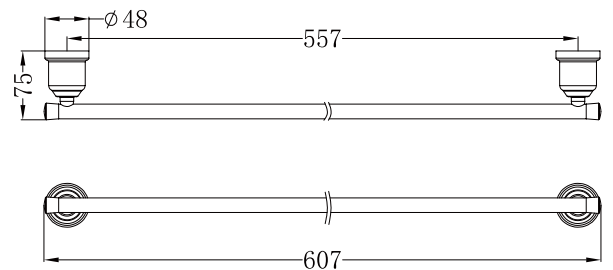
TOILET ROLL HOLDER

NR6986CH/NR6986MB/NR6986AB



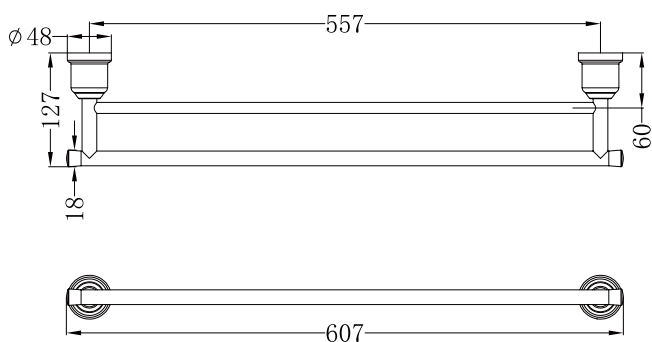
SINGLE TOWEL RAIL 600MM

NR6924CH/NR6924MB/NR6924AB



DOUBLE TOWEL RAIL 600MM

NR6924dCH/NR6924dMB/NR6924dAB



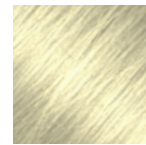
Available Colour



CHROME



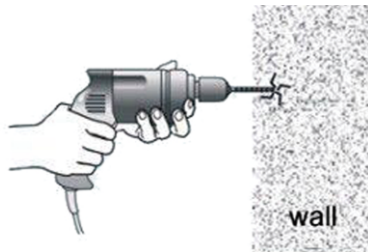
MATTE BLACK



AGED BRASS

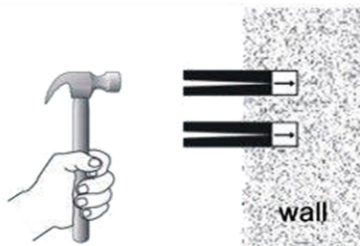
Installation Instruction

1



1. Put the fixing blocks (piece) over on the right place on the wall , and stay level, use marking pen through the holes of fixing block to mark out fixing spots on the wall. Then drill holes by electric hand drill with 6mm drilling bit on the spots.

02

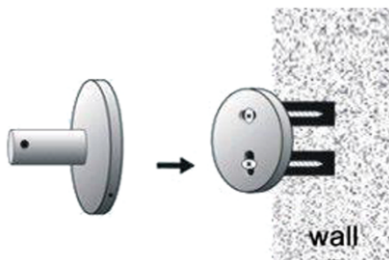


2. Put the expansion plugs into the wall by hammer.

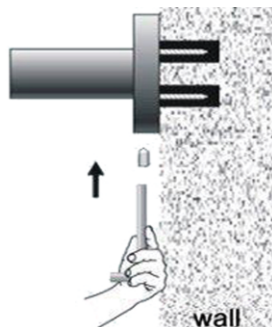


3. Put fixing block cover on the holes and fix firmly by expansion screws.

04



4. Put the base of bathroom accessory cover on the fixing blocks.



5. Screw grub screws into the base, make it against to the fixing block tight and firm.