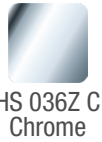
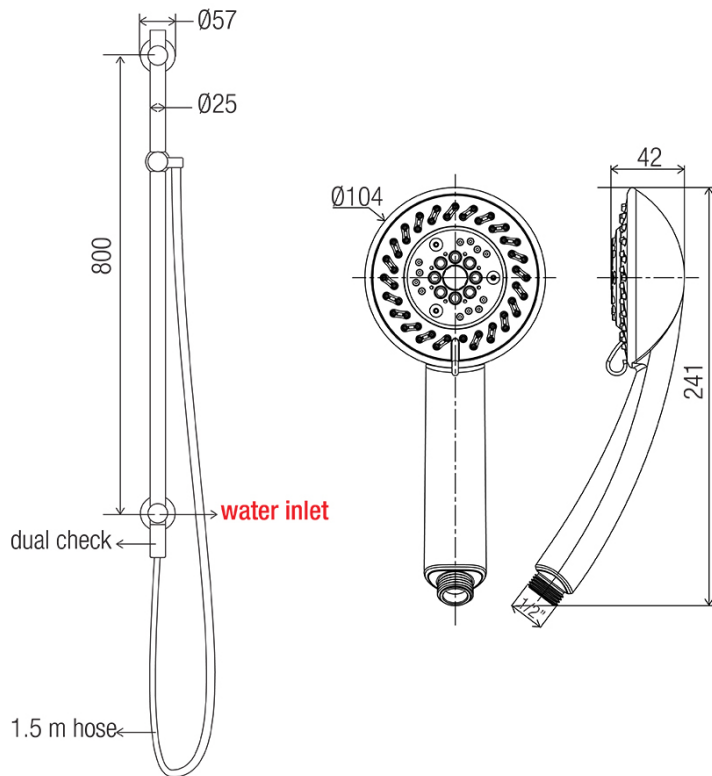


RIVIERA RAIL STREAMJET™ BREEZE HANDHELD SHOWER - BOTTOM INLET



Features

- ABS 104mm arched multi-function shower
- Soft, pulsating and bubble spray functions
- WaterMark AS 3662 WMKT 21147
- Available in 3 Star 9L/min as per WELS licence number 0052



WELS Registration
No.S07320



WaterMark
AS 3662
WMKT 21147



WaterMark
AS/NZS 2845.1
WMKA 02696



CON-SERV CORPORATION AUSTRALIA PTY. LTD.

17 Glentanna Street, Kedron Qld 4031 Australia

Phone: +61 (0)7 3630 5744–Fax: +61 (0)7 3630 5755–Email: mail@con-serv.com.au–www.con-serv.com.au