

TOLEDO_{XTRA}

JohnsonSuisse
Bathroom Solutions

EXTRA HEIGHT FLUSH TO WALL RIMLESS TOILET SUITE

CODE:
JTTT401.JTTT402

FEATURES

- EXTRA HEIGHT FLUSH TO WALL VITREOUS CHINA TOILET SUITE
- SUITABLE FOR AMBULANT/ASSISTED LIVING INSTALLATIONS
- EFFICIENT RIMLESS DESIGN FOR HYGIENIC FLUSHING
- CISTERN WITH CONCEALED BACK ENTRY OR BOTTOM ENTRY WATER INLET
- SOFT-CLOSE, QUICK-RELEASE TOILET SEAT
- S OR P TRAP CONFIGURATION INSTALLATION
- ADJUSTABLE S TRAP PAN CONNECTOR
- WELS 4 Star, 4.5/3L (3.2 average flush) L06645

COMPONENTS

TOLEDO XTRA RIMLESS FLUSH TO WALL PAN	JTTT401
TOLEDO CISTERN	JTTT402
ESTI SOFT CLOSE TOILET SEAT	MSEE101
ADJ PAN CONNECTOR(90-175 SET OUT)	X011H

OPTIONS

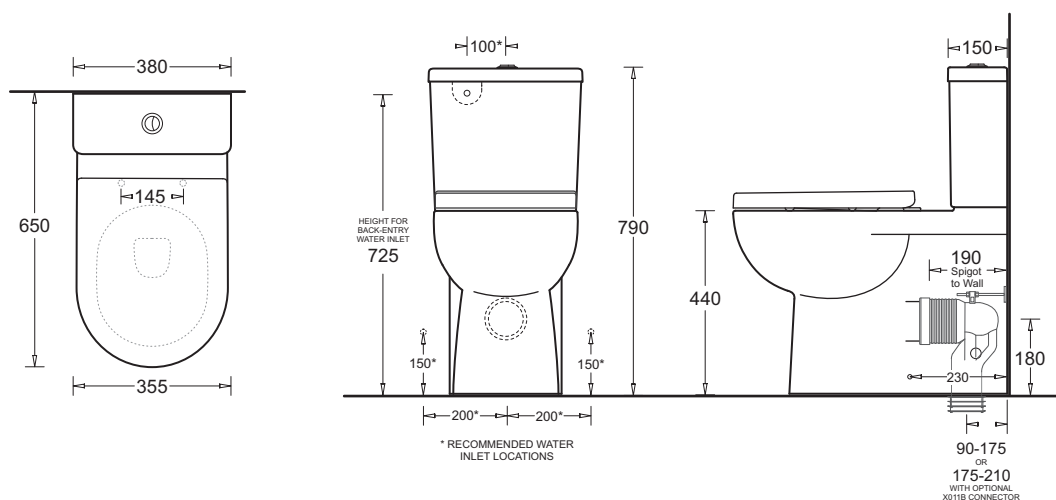
ADJ PAN CONNECTOR(175-210 SET OUT)	X011B
------------------------------------	-------

WARRANTY

25 YEARS - REFER TO T&CS AT johnsonsuisse.com.au



TOLEDO XTRA FLUSH TO WALL TOILET SUITE
DIMENSIONS



TECHNICAL DATA SHEET

SUPERSEDES ALL PREVIOUS ISSUES

All dimensions are in millimetres and are subject to normal manufacturing variation.
As product development is ongoing BPA reserves the right to vary specifications without notice.
Bathroom Products Australia P/L ABN 87 079 297 617

JohnsonSuisse
Bathroom Solutions

2/97 Banksia St., Botany, NSW 2019
TEL: 1300 717 717
www.johnsonsuisse.com.au