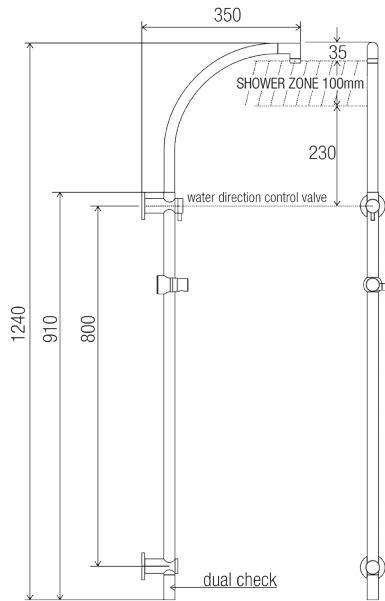


**DIMENSIONS**



**INDICATIVE IMAGE**



**COSMIC/STREAMJET™ XL TWIN WATERS™**

**Product Code - Finish**

- TW 025CX MB - Matte Black

**Features**

- Cosmic ABS 256 mm rainmaker shower rose
- ABS 130 mm single function shower
- 800 mm x 25 mm rail with adjustable brackets
- Swan neck swivelling shower arm
- Brass 19 mm female inlet diverter switchcock valve with flow INTERCHANGE® spigot
- Licenced dual check/non-return valve
- Brass friction slide cradle
- PVC 1500 mm smooth hose with ½" BSP swivel conical end nut
- Brass 57 mm wall flanges
- Stainless steel fixings supplied
- Matte Black finish
- Full pattern spray



**Compliance**

- Watermark AS 3662 WMKT 21147
- Licenced dual check/non-return as per Watermark AS/NZS 2845.1 WMKA 02696
- 3 Star - 9 L/min as per WELS licence number 0046

**Warranty**

See Con-Serv warranty policy for full details.

**CON-SERV CORPORATION AUSTRALIA PTY. LTD.**

17 Glentanna Street, Kedron · Qld. 4031 Australia

Phone: +61 (0)7 3630 5744 · Fax: +61 (0)7 3630 5755 · Email: mail@con-serv.com.au · www.con-serv.com.au