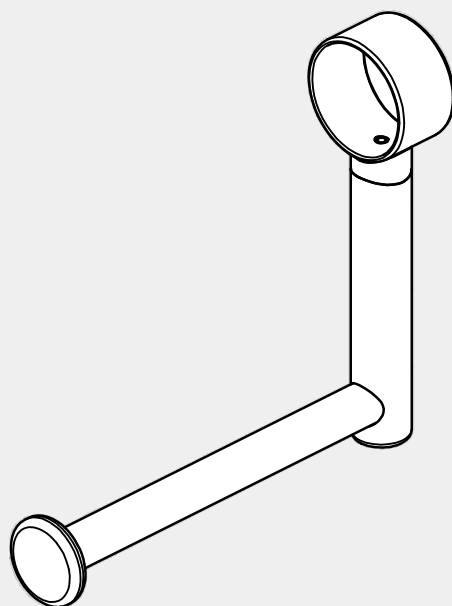
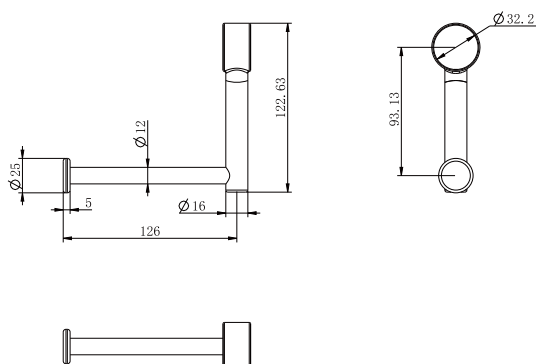


Mecca Care Add On Toilet Roll Holder

Nero



Drawing



Specifications

SKU
NRCR3286t

Warning:

These rails are designed to be mounted onto wall studs or masonry walls. Installation is recommended to be completed by qualified trades person who complies with the AS 1428.1-2009 design for access and mobility standard. It is recommended rail location is determined by a qualified occupational therapist or trained professional to the AS 1428.1-2009 standard. Correct installation is required to ensure safe, long term operation. Incorrect mounting can result in reduced capacity of the rail which can result in injury to user and damage to the wall.

Finish


 **Chrome**
NRCR3286tCH

 **Gun Metal**
NRCR3286tGM

 **Brushed Bronze**
NRCR3286tBZ

 **Matte Black**
NRCR3286tMB

 **Brushed Gold**
NRCR3286tBG

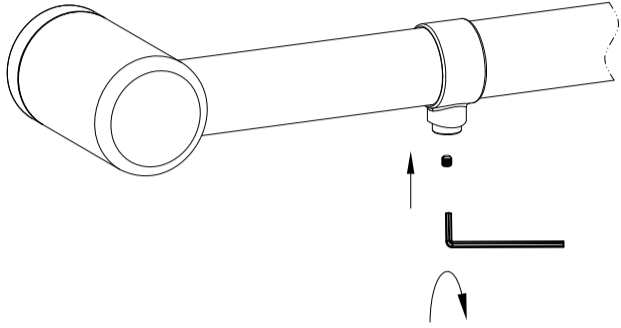
 **Brushed Nickel**
NRCR3286tBN

Features

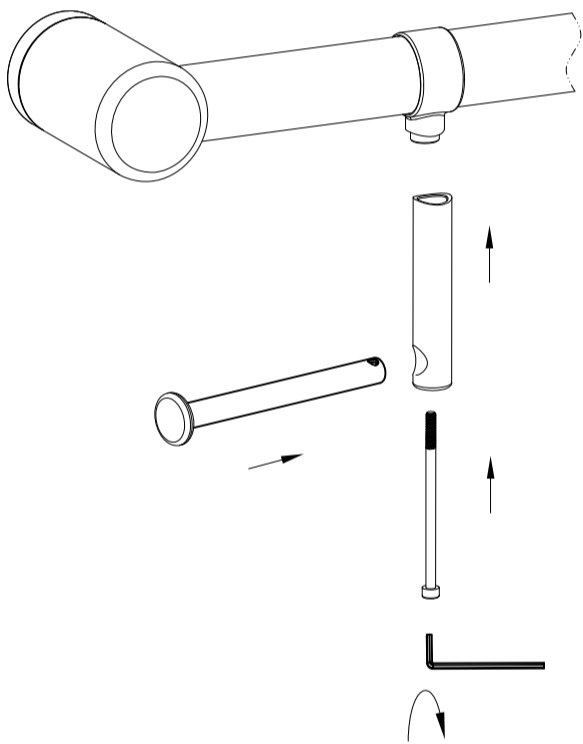
1. Australian owned and designed.
2. This adjustable toilet roll holder can be added onto any modular 32mm grab rail.
3. The direction can be changed from left to right during installation.
4. Grub screw secures holder onto the rail.
5. Gun metal, brushed gold and brushed bronze colours are PVD coated for long term durability.

*Dimensions are nominal measurements only.

Installation Instruction

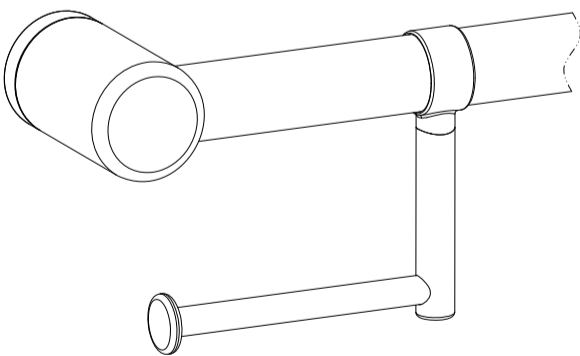


1. Slide the 32mm diameter ring onto the grab rail before installing the grab rail.
Using an allen key, tighten the M4x4mm grub screw onto the rail until the ring no longer slips.



2. Using supplied allen key whilst holding the toilet roll holder in place, screw the 75mm screw into the grab rail ring till tight.

Tip: The direction can be changed from left to right during installation.



3. Finish.

Nero

info@nerotapware.com.au
nerotapware.com.au

11-13 Buontempo Road
Carrum Downs Vic 3201



**MECCA CARE
DDA CARE 32MM**