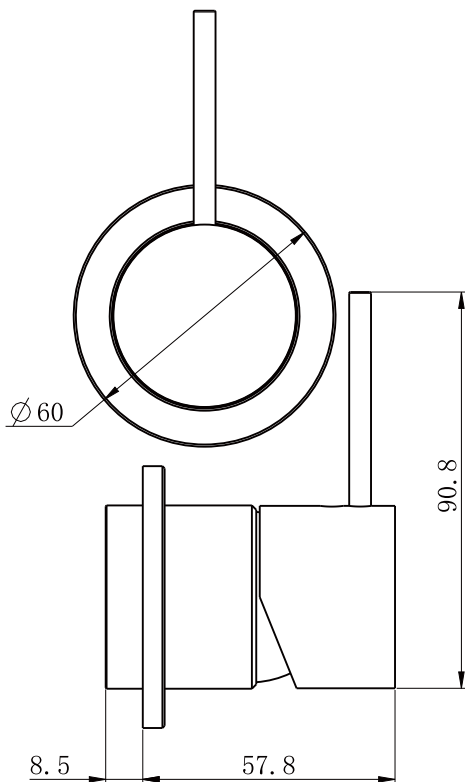


## Mecca Shower Mixer 60mm Handle Up Plate Trim Kits

### SPECIFICATION

WELS RATING	N/A
WATERMARK LICENSE	WM-060073
TEMPERATURE RATING	MIN 1°C-MAX 75°C
PRESSURE RATING	MIN 150KPa-MAX 500KPa



Dimensions are nominal measurements only.

### FINISH

	CHROME NR221911JTCH		MATTE BLACK NR221911JTMB
	BRUSHED NICKEL NR221911JTBN		GUN METAL NR221911JTGM
	BRUSHED GOLD NR221911JTBG		BRUSHED BRONZE NR221911JTBZ
	MATTE WHITE NR221911JTMW		

### MAINTENANCE AND CARE

All surfaces should be cleaned with mild liquid detergent or soap and water.

Do not use cream cleaners or citrus based cleaning products, as they are abrasive.

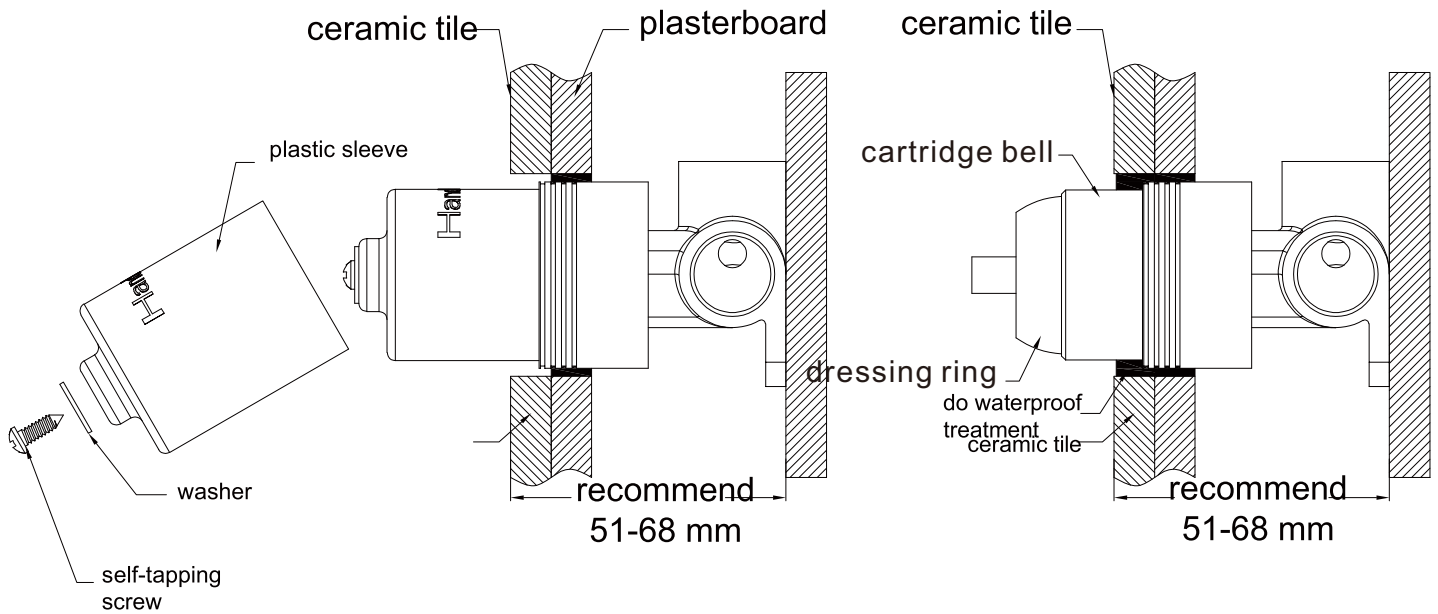
Use of unsuitable cleaning agents may damage the surface. Any damage caused in this way will not be covered by warranty.

### PACKING INCLUDES

- 1x plate
- 1x handle
- 1x cartridge bell
- 1x dressing ring

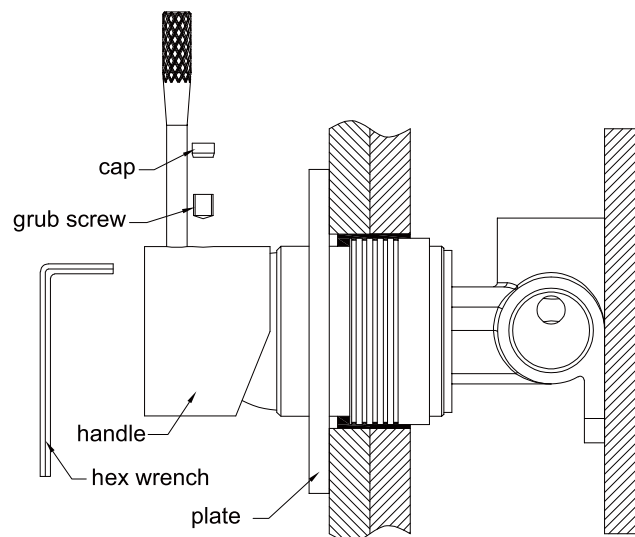


## Installation Instruction



1. Install ceramic tile after drilling a  $\phi 50$  and a  $\phi 40$  hole according to above picture.
2. Remove self-tapping screw, washer, plastic sleeve, grub screw and water testing plug.

3. Put on cartridge bell.
4. Screw on dressing ring.
5. Do waterproof treatment for the gap between ceramic tile and cartridge bell.



6. Put plate onto body.
7. Put washer onto cartridge stick, put on handle and tighten grub screw of handle firmly by hex wrench, put cap into handle.