

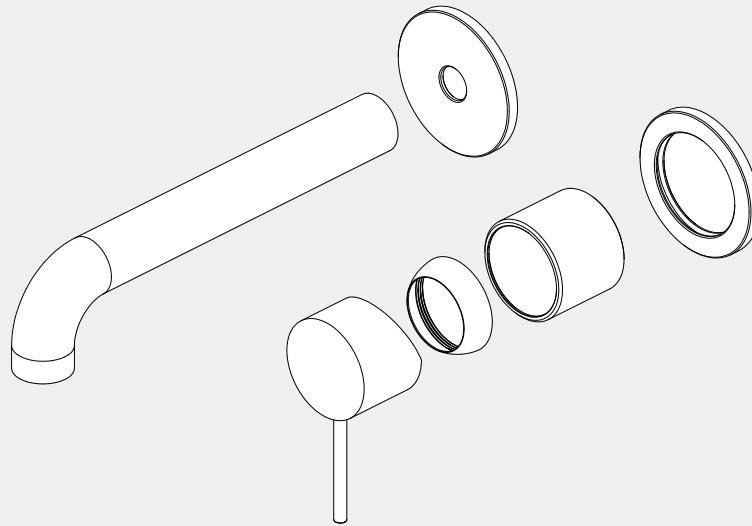
Mecca

Wall Basin/Bath Mixer

Separate Back Plate

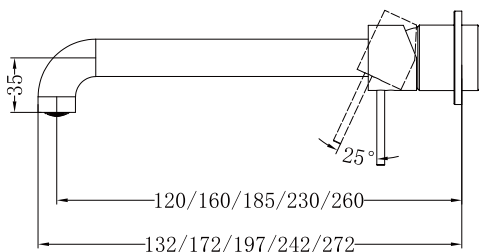
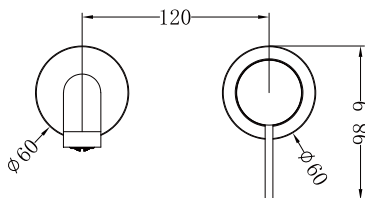
Trim Kits Only

Nero



Versions:202311

Drawing



Specifications

SKU

NR221910c(120/160/185/230/260)t

Watermark License

WM-060073

Temperature Rating


Min 1°C-Max 75°C

Pressure Rating


Min 150kpa - Max 500kpa


Finish


 **Chrome**
NR221910c(120/160/185/230/260)tCH


 **Matte Black**
NR221910c(120/160/185/230/260)tMB

 **Brushed Bronze**
NR221910c(120/160/185/230/260)tBZ

 **Matte White**
NR221910c(120/160/185/230/260)tMW

 **Gun Metal**
NR221910c(120/160/185/230/260)tGM

 **Brushed Gold**
NR221910c(120/160/185/230/260)tBG

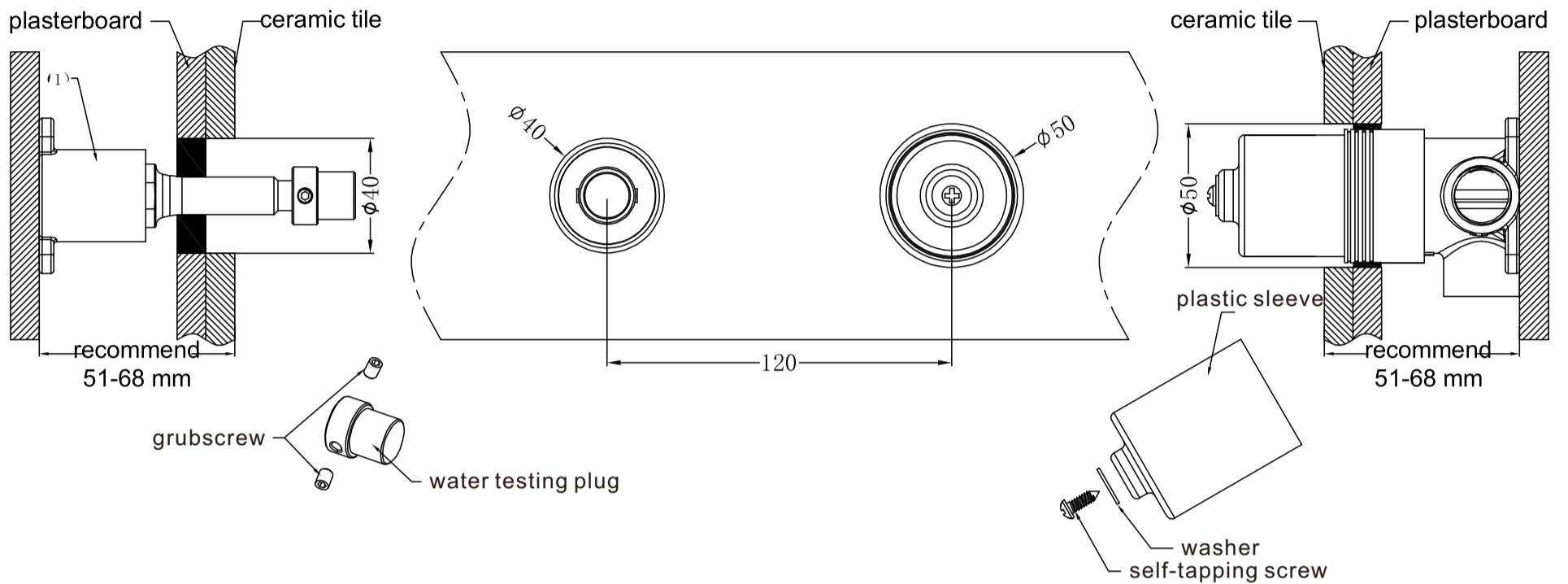
 **Brushed Nickel**
NR221910c(120/160/185/230/260)tBN

Packaging Includes

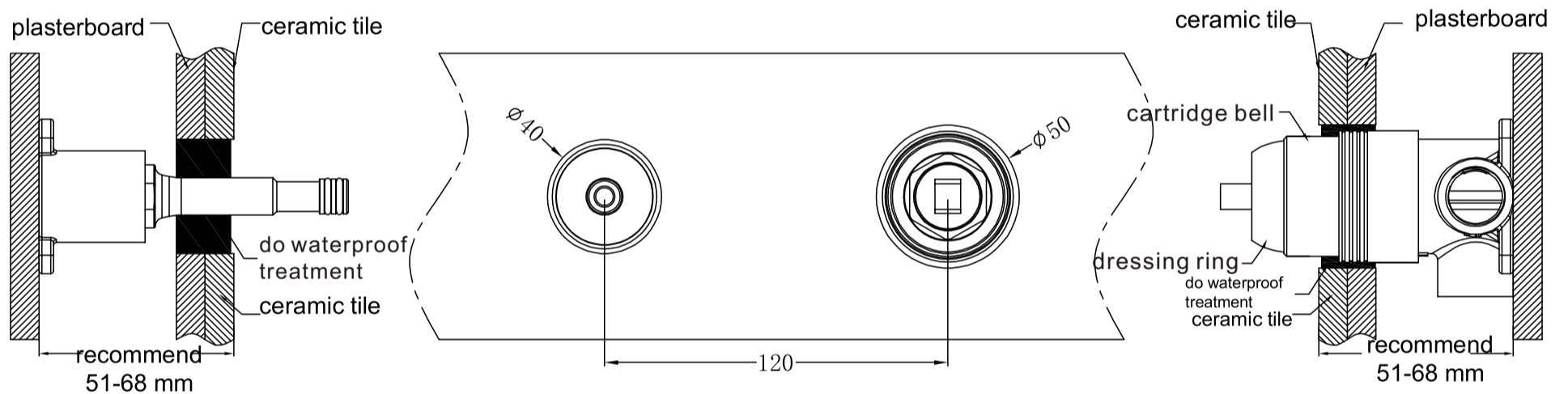
1x Spout
1x Plate
1x Handle
1x Cartridge Bell
1x Dressing Ring

*Dimensions are nominal measurements only.

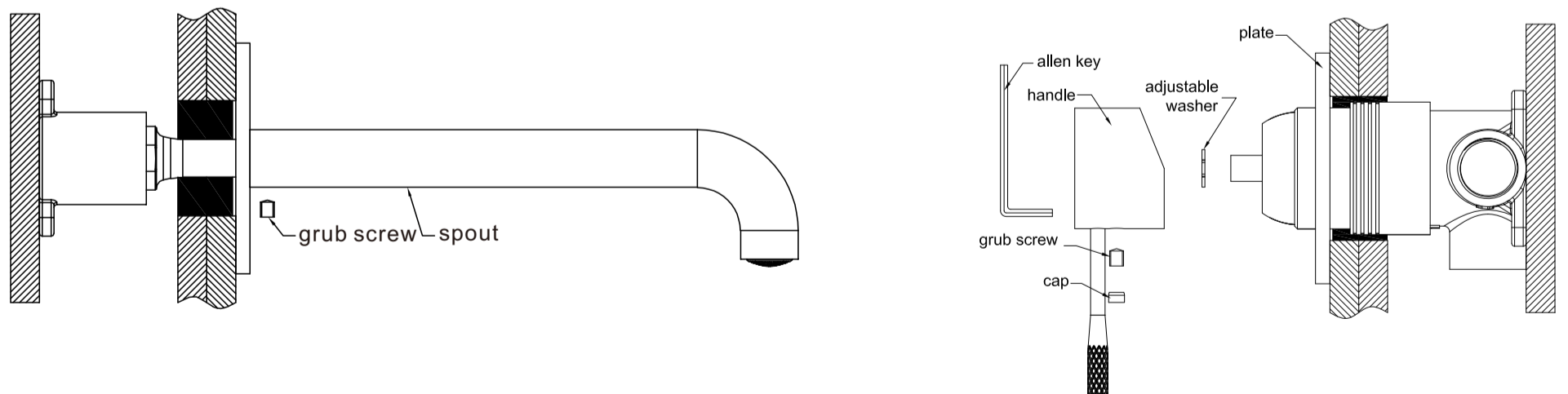
Installation Instruction For Trim Kits Only



1. Drill a $\phi 50$ and a $\phi 40$ hole on ceramic tile, then install ceramic tile according to above picture.
2. Remove self-tapping screw, washer, plastic sleeve, grub screw and water testing plug.



3. Put on cartridge bell.
4. Screw on dressing ring.
5. Do waterproof treatment for the gap between plastic sleeve and cartridge bell and gap between ceramic tile and spout.



6. Put plate onto body.
7. Put adjustable washer onto cartridge stick, put on handle and tighten grub screw of handle firmly by allen key, put cap in grub screw hole.
8. Install spout onto body, tighten grub screw of spout firmly by allen key.

Nero

info@nerotapware.com.au
nerotapware.com.au

11-13 Buontempo Road
Carrum Downs Vic 3201

