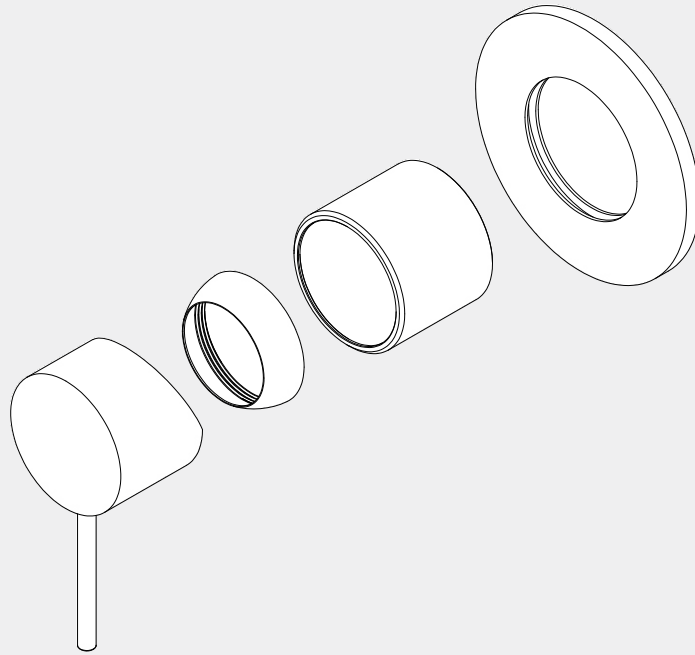


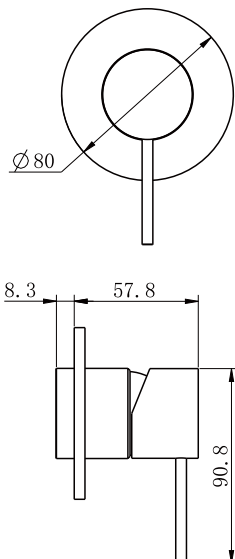
Mecca Shower Mixer 80mm Plate Trim Kits Only

Nero



Versions:202311

Drawing



Specifications

SKU

NR221911t

Watermark License

WM-060073

Temperature Rating

Min 1°C-Max 75°C

Pressure Rating

Min 150kpa - Max 500kpa

Packaging Includes

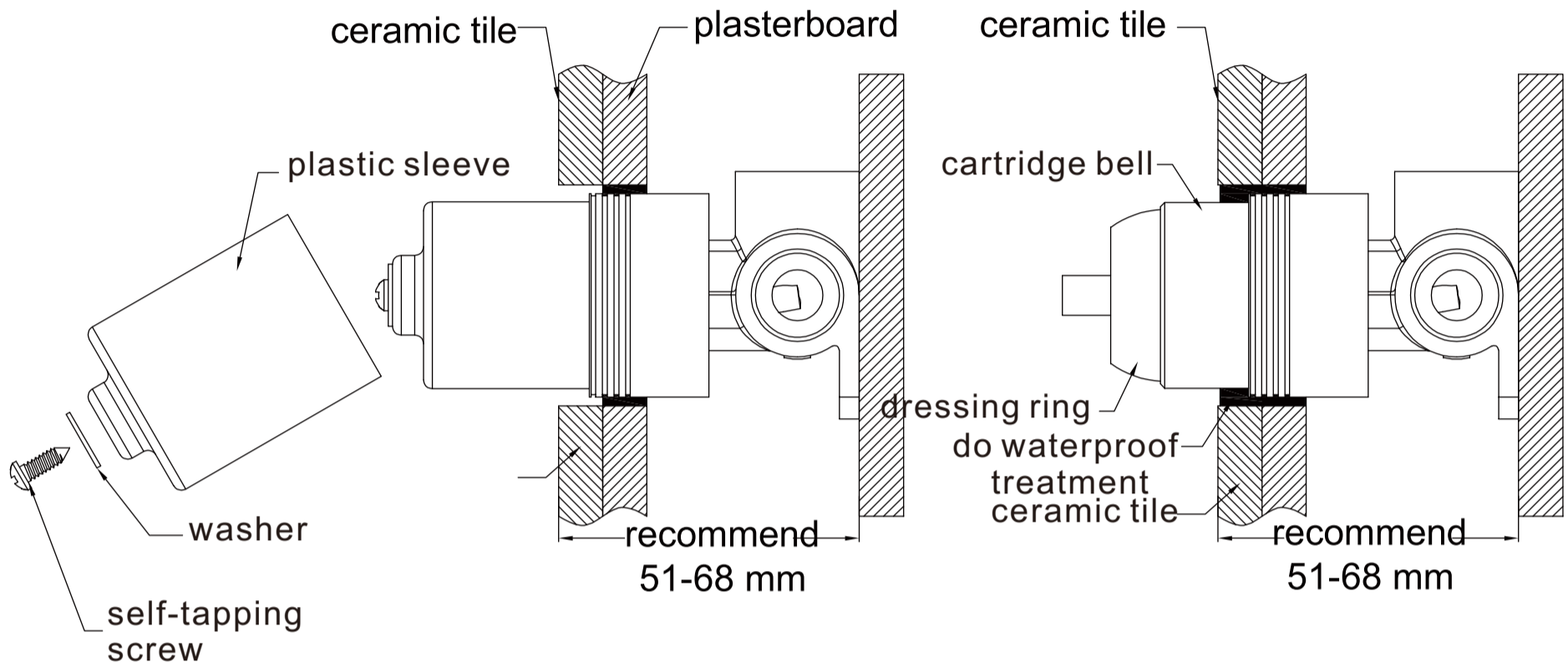
1x Plate
1x Handle
1x Cartridge Bell
1x Dressing Ring

Finish

| | | | |
|--|---|---|---|
|  Chrome NR221911tCH |  Gun Metal NR221911tGM |  Brushed Bronze NR221911tBZ |  Brushed Nickel NR221911tBN |
|  Matte Black NR221911tMB |  Brushed Gold NR221911tBG |  Matte White NR221911tMW | |

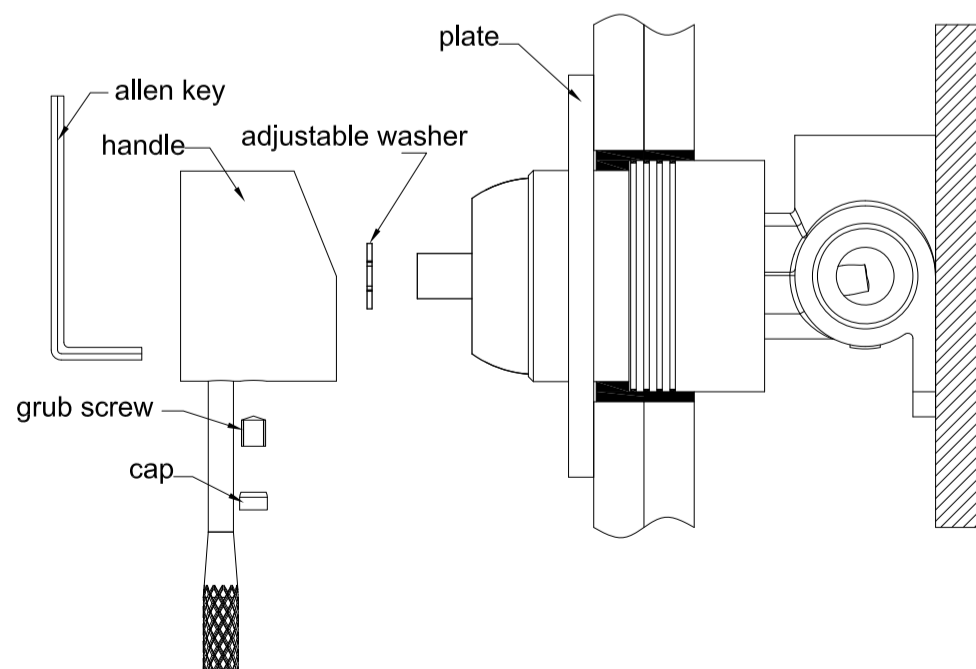
*Dimensions are nominal measurements only.

Installation Instruction For Trim Kits Only



1. Drill a $\phi 50$ hole on ceramic tile, then install ceramic tile according to above picture.
2. Remove self-tapping screw, washer, plastic sleeve.

3. Put on cartridge bell.
4. Screw on dressing ring.
5. Do waterproof treatment for the gap between plastic sleeve and cartridge bell.



6. Put plate onto body.
7. Put adjustable washer onto cartridge stick, put on handle and tighten grub screw of handle firmly by allen key, put cap in grub screw hole.

Nero

info@nerotapware.com.au
nerotapware.com.au

11-13 Buontempo Road
Carrum Downs Vic 3201

