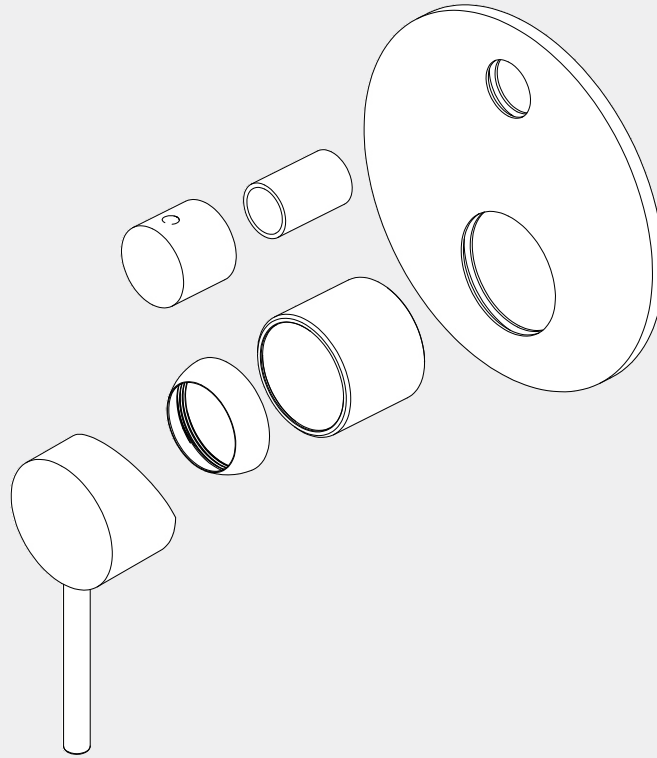


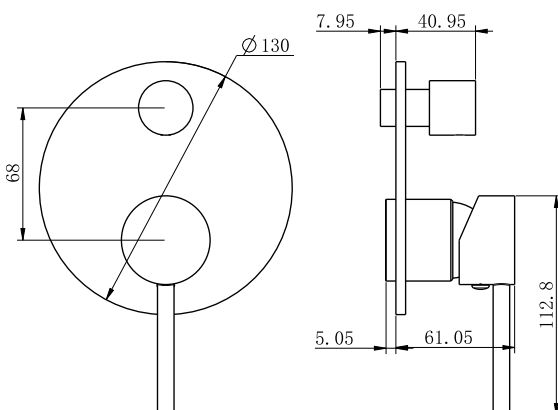
Dolce Shower Mixer With Divertor Trim Kits Only

Nero



Versions:202311

Drawing



Specifications

SKU

NR250811at

Watermark License

WM-060073

Temperature Rating

Min 1°C - Max 75°C

Pressure Rating

Min 150kpa - Max 500kpa

Finish

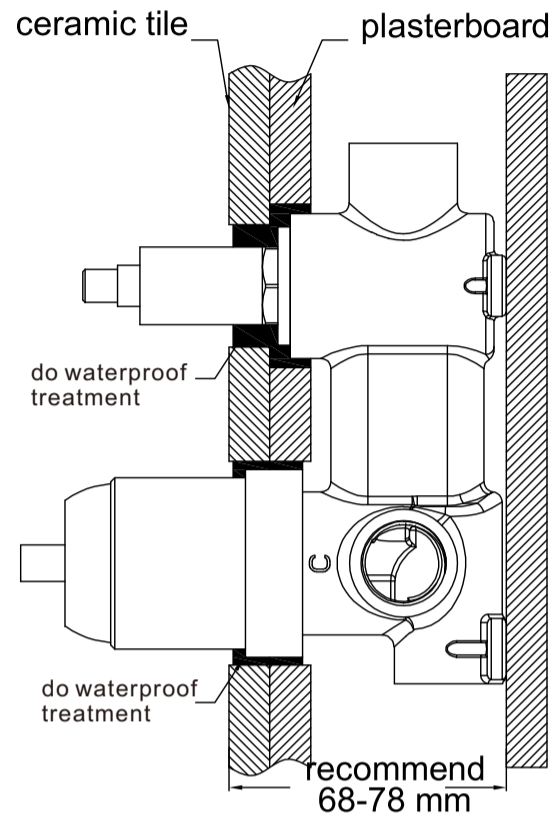
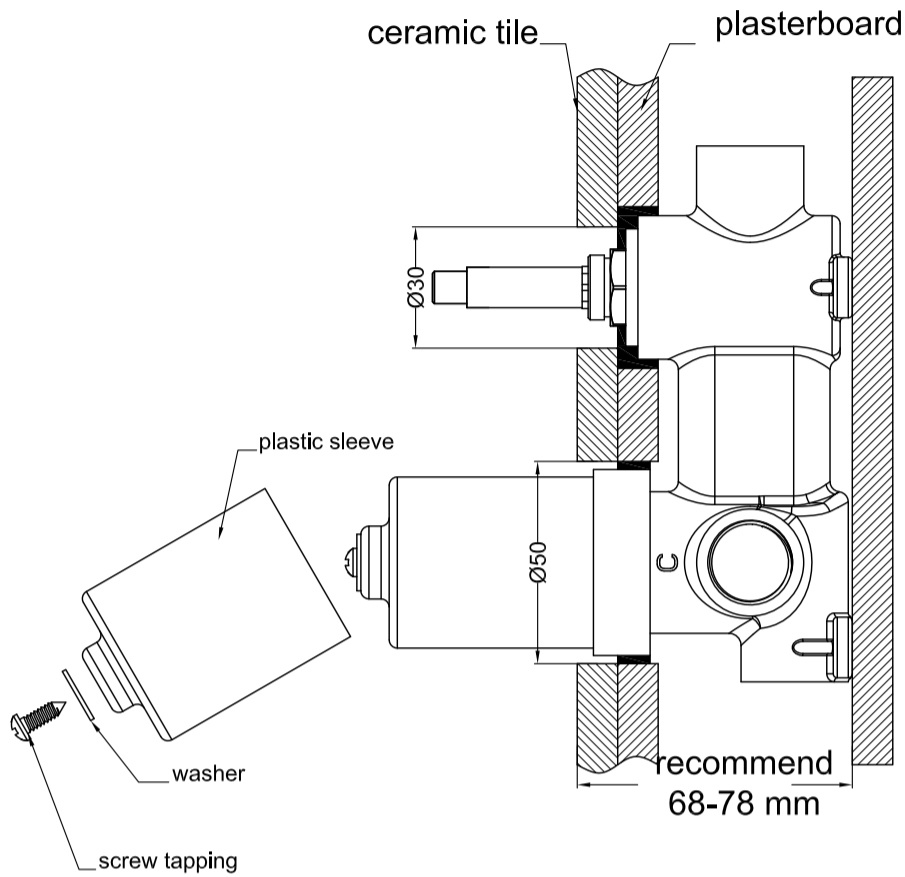
- Chrome NR250811atCH
- Matte Black NR250811atMB
- Brushed Nickel NR250811atBN

Packaging Includes

- 1x Plate
- 1x Handle
- 1x Knob
- 1x Sleeve
- 1x Cartridge Bell
- 1x Dressing Ring

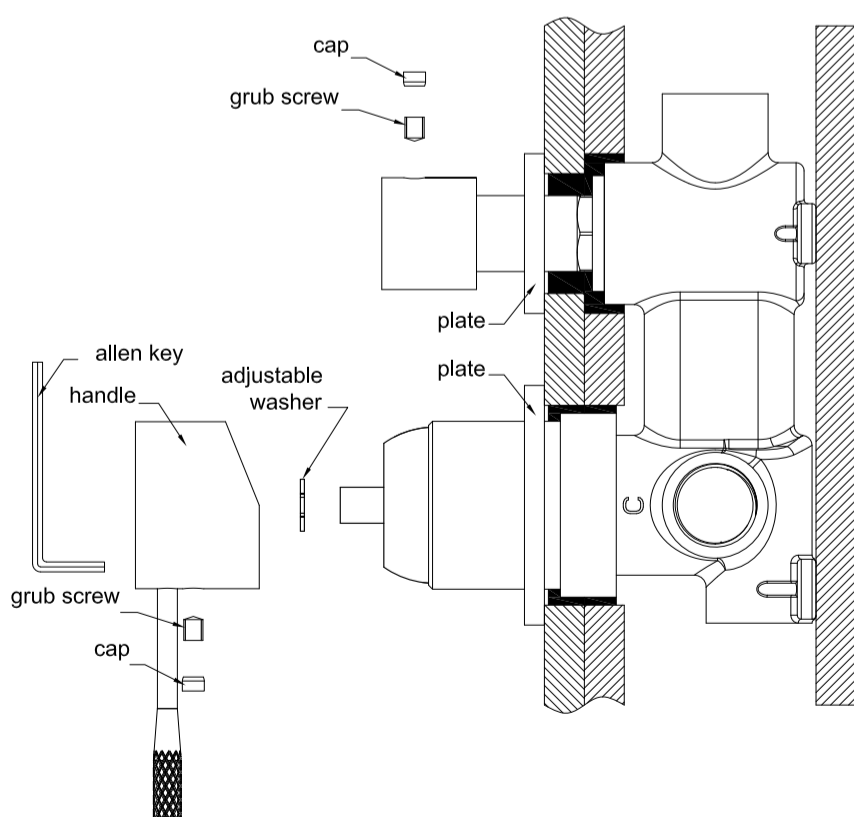
*Dimensions are nominal measurements only.

Installation Instruction For Trim Kits Only



1. Drill a $\phi 50$ and a $\phi 30$ hole on ceramic tile, then install ceramic tile according to above picture.
2. Remove self-tapping screw, washer, plastic sleeve.

3. Put on cartridge bell and divertor sleeve.
4. Screw on dressing ring.
5. Do waterproof treatment for the gap between plastic sleeve and cartridge bell and gap between ceramic tile and divertor sleeve.



6. Put plate onto body.
7. Put adjustable washer onto cartridge stick, install handle, tighten grub screw of handle firmly by allen key, put cap in grub screw hole.
8. Put knob onto divertor cartridge, tighten grub screw of knob firmly by allen key, put cap into knob grub screw hole.

Nero

info@nerotapware.com.au
nerotapware.com.au

11-13 Buontempo Road
Carrum Downs Vic 3201

