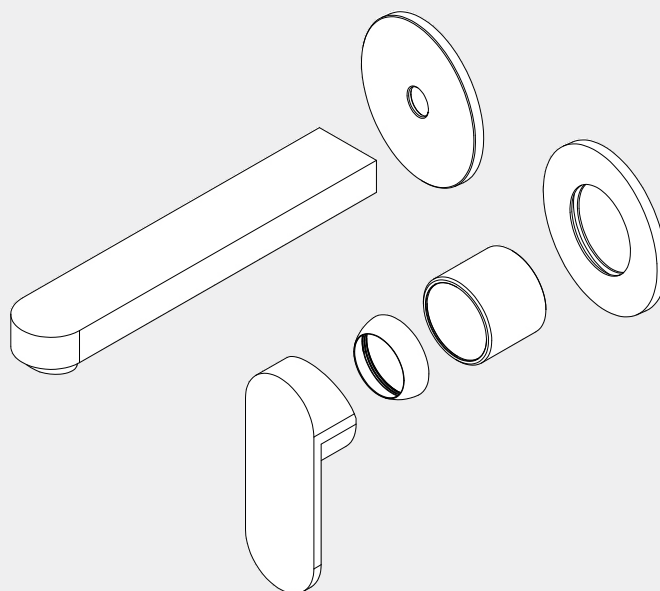


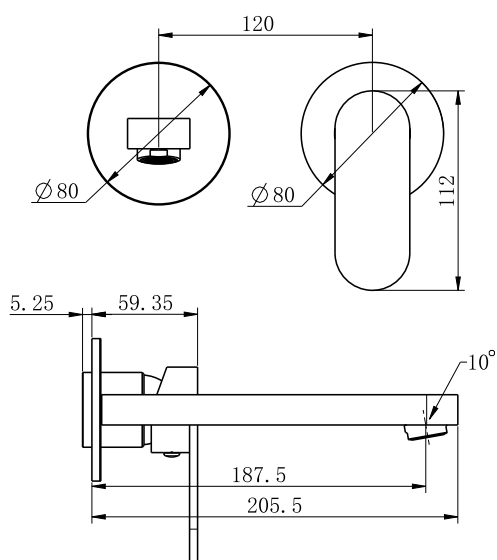
Ecco Wall Basin/Bath Mixer Separate Back Plate Trim Kits Only

Nero



Versions:202401

Drawing



Specifications

Watermark License

WM-060073

Temperature Rating

Min 1°C - Max 75°C






Pressure Rating

Min 150kpa - Max 500kpa

Packaging Includes

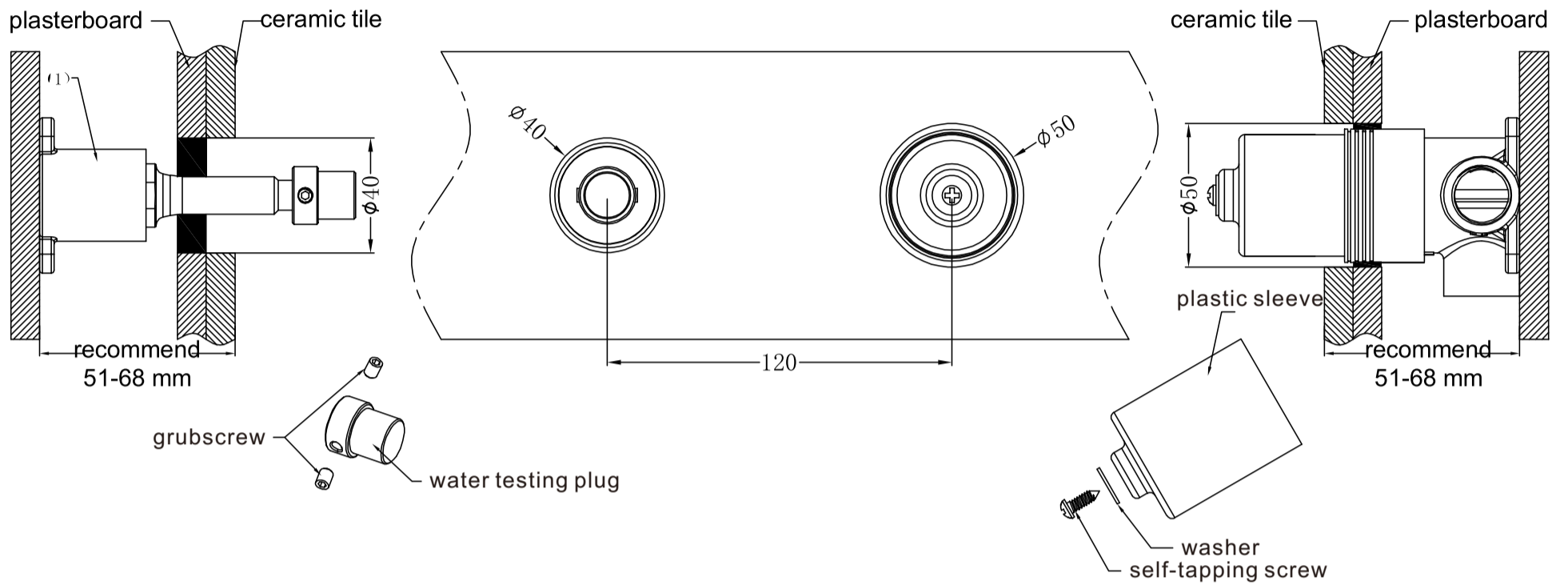
2x Plates
1x Handle
1x Spout
1x Cartridge Bell
1x Dressing Ring

Finish & SKU

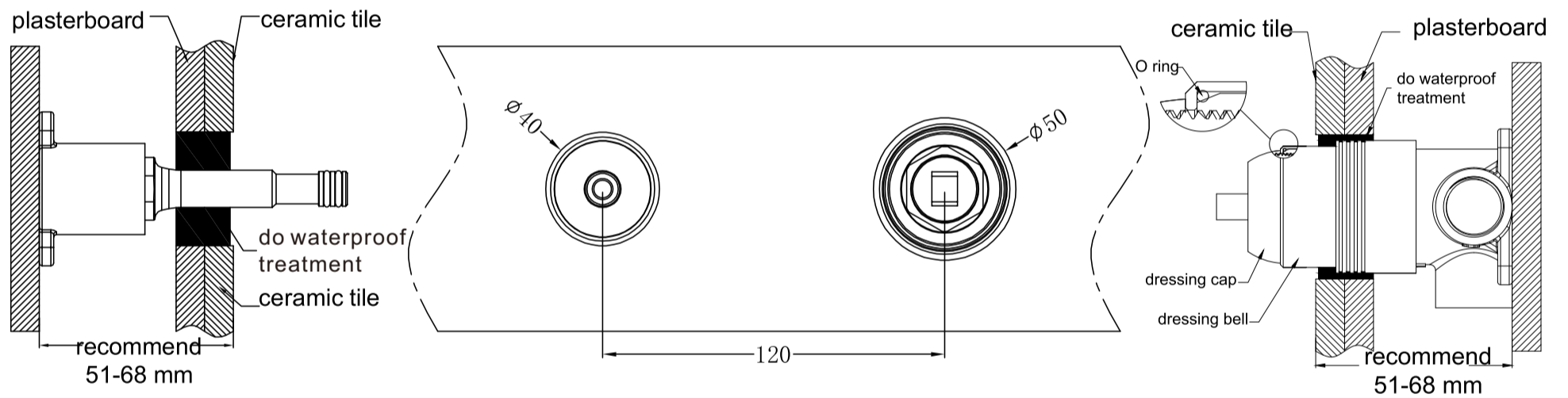
 Chrome NR301310btCH	 Gun Metal NR301310btGM	 Brushed Nickel NR301310btBN
 Matte Black NR301310btMB	 Brushed Gold NR301310btBG	

*Dimensions are nominal measurements only.

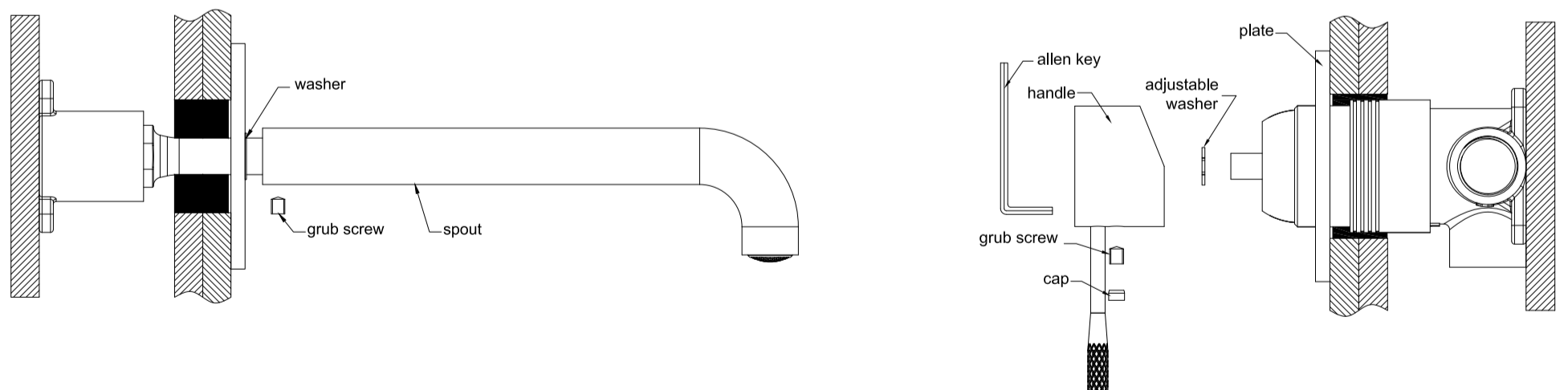
Installation Instruction For Trim Kits Only



1. Drill a $\phi 50\text{mm}$ and a $\phi 40\text{mm}$ hole in the ceramic tile, then position it as shown in the above diagram.
2. Undo the self-taping screw to remove the plastic sleeve, and release the grub screws to remove the water testing plug.



3. Insert the O ring to the dressing bell groove, and slide the dressing bell onto cartridge.
4. Apply waterproof treatment to the area indicated in the diagram above.
5. Tighten up the dressing ring on the cartridge bell.



6. Slide the backplate and washer onto the wall, set the spout in place, and secure it tightly using the grub screw.
7. Attach the washer to the cartridge rod, position the handle, tighten it with a grub screw using an Allen key, and cap the grub screw hole.

Please note: there is a washer between backplate and the spout.

Nero

info@nerotapware.com.au
nerotapware.com.au

11-13 Buontempo Road
Carrum Downs Vic 3201

